

Fig.	Pinning	Package	Maximum Average Rect. Current (A)	Maximum Peak Reverse Voltage (V)	Peak Forward Surge Current (A)	Maximum Instant Forward Voltage (V)	Digi-Key Part No.	Cut Tape Pricing			Digi-Key Part No.	Tape and Reel					
								1	10	100		Qty.	Pricing				
Silicon Diodes																	
1	—	DO-41 (DO-204AL)	1.0	50	30	1.1	1N4001-E3/54GICT-ND	—	69	5.52	1N4001-E3/54GITR-ND	5,500	28.00/M				
				100	30	1.1	1N4002-E3/54GICT-ND	—	69	5.52	1N4002-E3/54GITR-ND	5,500	28.00/M				
				100	30	1.1	1N4002-E3/54GICT-ND	—	69	5.52	1N4002-E3/54GITR-ND	5,500	28.00/M				
				200	30	1.1	1N4003-E3/73GICT-ND	—	10	76	5.52	1N4003-E3/73GITR-ND†	3,000	35.00/M			
				200	30	1.1	1N4003-E3/54GICT-ND	—	—	69	5.52	1N4003-E3/54GITR-ND	5,500	28.00/M			
				400	30	1.1	1N4004-E3/73GICT-ND†	—	05	41	3.45	—	—	—			
				400	30	1.1	1N4004-E3/54GICT-ND	—	—	69	5.52	1N4004-E3/54GITR-ND	5,500	28.00/M			
				600	30	1.1	1N4005-E3/54GICT-ND	—	—	69	5.52	1N4005-E3/54GITR-ND	5,500	28.00/M			
				800	30	1.1	1N4006-E3/54GICT-ND	—	—	69	5.52	1N4006-E3/54GITR-ND	5,500	28.00/M			
				800	30	1.1	1N4006-E3/54GICT-ND	—	—	69	5.52	1N4006-E3/54GITR-ND	5,500	28.00/M			
				1000	30	1.1	1N4007-E3/54GICT-ND	—	—	69	5.52	1N4007-E3/54GITR-ND	5,500	28.00/M			
				2	—	DO-201AD	3.0	50	200	1.2	1N5400-E3/54GICT-ND	43	3.15	22.88	—	—	
								50	200	1.2	1N5400-E3/51GI-ND*	20	1.72	14.30	—	—	
								100	200	1.2	1N5401-E3/54GICT-ND	43	3.15	22.88	1N5401-E3/54GITR-ND	1,400	143.00/M
100	200	1.2	1N5401-E3/54GICT-ND					65	4.75	34.52	1N5401-E3/54GITR-ND	1,400	216.00/M				
200	200	1.2	1N5402-E3/54GICT-ND					43	3.15	22.88	1N5402-E3/54GITR-ND	1,400	143.00/M				
200	200	1.2	1N5402-E3/54GICT-ND					65	4.75	34.52	1N5402-E3/54GITR-ND	1,400	216.00/M				
200	200	1.2	1N5402-E3/51GI-ND*					20	1.72	14.30	—	—					
400	200	1.2	1N5404-E3/51GI-ND*					20	1.72	14.30	—	—					
600	200	1.2	1N5406-E3/54GICT-ND					65	4.75	34.52	1N5406-E3/54GITR-ND	1,400	216.00/M				
600	200	1.2	1N5406-E3/51GI-ND*					20	1.72	14.30	—	—					
800	200	1.2	1N5407-E3/54GICT-ND					43	3.15	22.88	—	—					
800	200	1.2	1N5407-E3/51GI-ND*					20	1.72	14.30	—	—					
1000	200	1.2	1N5408-E3/54GICT-ND					43	3.15	22.88	1N5408-E3/54GITR-ND	1,400	143.00/M				
1000	200	1.2	1N5408-E3/51GI-ND*					20	1.72	14.30	—	—					
Ultrafast Diodes – RoHS Compliant																	
2	—	DO-201AD	3.0	400	150	1.0	UF5404-E3/54GI-ND*	48	4.08	34.03	—	—					
3	A	TO-220AC	8.0	600	80	3.0	UH8JT-E3/45WGI-ND*	1.73	14.87	123.93	—	—					
4	A (Isolated)	TO-220AC	10	300	180	1.2	UH10FT-E3/4WGI-ND*	1.22	10.45	87.08	—	—					
5	B	D2PAK(TO-263AB)	8.0	600	80	3.0	UHF8JT-E3/45GI-ND*	1.70	14.55	121.28	—	—					
5	D	D2PAK(TO-263AB)	10	300	180	1.2	UHB10FT-E3/4WGI-ND*	1.32	11.30	94.13	—	—					
6	C	TO-220AB	2 x 10A	300	180	1.2	UHB20FCT-E3/4WGI-ND*	1.87	16.02	133.53	—	—					
6	C	TO-220AB	2 x 10A	300	180	1.2	UH20FCT-E3/4WGI-ND*	1.78	15.22	126.85	—	—					
Schottky Diodes																	
1	—	DO-41 (DO-204AL)	1.0	20	25	0.45	1N5817-E3/54GICT-ND	31	2.28	16.60	1N5817-E3/54GITR-ND	5,500	83.00/M				
				30	25	0.55	1N5818-E3/54GICT-ND	31	2.28	16.60	—	—					
				30	25	0.55	1N5818-E3/54GICT-ND	31	2.28	16.60	1N5818-E3/54GITR-ND	5,500	83.00/M				
				30	25	0.55	1N5818-E3/1GI-ND*	15	1.25	10.38	—	—					
				40	25	0.60	1N5819-E3/51GI-ND*	15	1.25	10.38	—	—					
				40	25	0.60	1N5819-E3/54GICT-ND	31	2.28	16.60	1N5819-E3/54GITR-ND	5,500	83.00/M				
				60	50	0.65	SB160-E3/1GI-ND*	18	1.53	12.78	—	—					
				2	—	DO-201AD	3.0	20	80	0.475	1N5820-E3/54GICT-ND	74	5.40	39.28	1N5820-E3/54GITR-ND	1,400	187.00/M
								30	80	0.500	1N5821-E3/54GICT-ND	74	5.40	39.28	1N5821-E3/54GITR-ND	1,400	187.00/M
								40	80	0.525	1N5822-E3/54GICT-ND	74	5.40	39.28	—	—	
								40	80	0.525	1N5822-E3/51GI-ND*	34	2.95	24.55	—	—	
								40	80	0.525	1N5822-E3/54GICT-ND	74	5.40	39.28	1N5822-E3/54GITR-ND	1,400	246.00/M
								90	100	0.80	SB3H90-E3/54GICT-ND	41	3.48	29.03	SB3H90-E3/54GITR-ND	1,400	174.00/M
								100	100	0.80	SB3H100-E3/54GICT-ND	41	3.48	29.03	SB3H100-E3/54GITR-ND	1,400	174.00/M
2	—	DO-201AD	5.0					20	220	0.48	SB520-E3/54GICT-ND	47	4.03	33.55	—	—	
								20	220	0.48	SB520-E3/51GI-ND*	47	4.03	33.55	—	—	
								30	220	0.48	SB530-E3/54GICT-ND	47	4.03	33.55	SB530-E3/54GITR-ND	1,400	215.00/M
								30	220	0.48	SB530-E3/51GI-ND*	47	4.03	33.55	—	—	
								40	220	0.48	SB540-E3/54GICT-ND	47	4.03	33.55	SB540-E3/54GITR-ND	1,400	215.00/M
								40	220	0.48	SB540-E3/51GI-ND*	47	4.03	33.55	—	—	
								50	220	0.65	SB550-E3/54GICT-ND	54	4.64	38.70	—	—	
				50	220	0.65	SB550-E3/54GICT-ND	54	5.15	50.31	SB550-E3/54GITR-ND	1,400	387.00/M				
				60	220	0.65	SB560-E3/54GICT-ND	54	4.64	38.70	—	—					
				60	220	0.65	SB560-E3/51GI-ND*	54	4.64	38.70	—	—					
				60	220	0.65	SB560-E3/54GICT-ND	1.16	8.51	61.92	SB560-E3/54GITR-ND	1,400	387.00/M				
				5	D	D2PAK(TO-263AB)	2 x 20A	100	250	0.73	VB40100C-E3/4WGI-ND*	3.24	27.78	231.50	—	—	
				6	C	TO-220AB	2 x 5A	150	160	0.96	MBR10H150CT-E3/45GI-ND*	1.62	13.92	115.98	—	—	
							2 x 10A	150	200	0.99	MBR20H150CT-E3/45GI-ND*	1.72	14.78	123.15	—	—	
2 x 15A	150	260	0.99				MBR30H150CT-E3/45GI-ND*	3.04	26.09	217.43	—	—					
2 x 30A	100	350	1.0				MBR60100CT-E3/45GI-ND*	4.45	38.12	317.65	—	—					
2 x 20A	100	250	0.73				VTS40100CT-E3/45GI-ND*	2.89	24.78	206.50	—	—					
2 x 30A	100	320	0.79				V60100C-E3/45GI-ND*	3.14	26.88	224.00	—	—					
7	E (Isolated)	TO-220AB	30	100	250	0.85	V30100S-E3/45GI-ND*	1.73	14.81	123.38	—	—					
			30	100	250	0.85	VF30100S-E3/45GI-ND*	1.96	16.76	139.68	—	—					
8	C	TO-247AD	2 x 20A	100	300	0.73	V40100P-E3/45GI-ND*	3.60	30.86	257.18	—	—					
			2 x 25A	100	350	0.78	V50100P-E3/45GI-ND*	3.60	30.86	257.18	—	—					
Surface Mount Schottky Diodes																	
9	—	SMA	1.0	20	40	0.50	SS12-E3/54GICT-ND	18	1.54	12.83	—	—					
				20	40	0.50	SS12-E3/1GI-ND*	15	1.31	10.93	—	—					
				20	40	0.50	SS12-E3/61TGICT-ND	15	1.31	10.93	SS12-E3/61TGITR-ND	1,800	66.00/M				
				40	40	0.50	SS14-E3/61TGICT-ND	15	1.31	10.93	SS14-E3/61TGITR-ND	1,800	66.00/M				
				60	40	0.75	SS16-E3/61TGICT-ND	16	1.38	11.50	SS16-E3/61TGITR-ND	1,800	69.00/M				
				60	40	0.75	SS16-E3/1GI-ND*	16	1.38	11.50	—	—					
				60	40	0.75	SS16-E3/11GICT-ND	16	1.38	11.50	SS16-E3/11GITR-ND	1,800	69.00/M				
				100	50	0.77	SS1H10-E3/61TGICT-ND	23	1.95	16.25	SS1H10-E3/61TGITR-ND	1,800	98.00/M				
				400	40	1.1	SI1G-E3/1GI-ND*	09	0.76	6.33	—	—					

RoHS Compliant * Bulk Pricing † Tape and Box

(Continued)

~ Exclusive Preview ~
New Product Available Now!

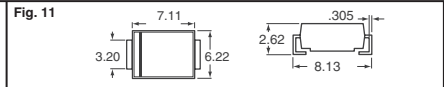
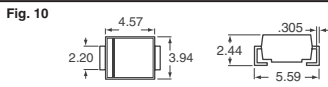
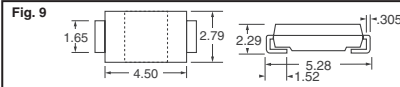


Fig.	Pinning	Package	Maximum Average Rect. Current (A)	Maximum Peak Reverse Voltage (V)	Peak Forward Surge Current (A)	Maximum Instant Forward Voltage (V)	Digi-Key Part No.	Cut Tape Pricing			Digi-Key Part No.	Tape and Reel	
								10	100	1000		Qty.	Pricing
9	—	SMA	1.5	30	50	0.445	SL13-E3/61TGICT-ND	21	1.79	14.93	SL13-E3/61TGITR-ND	1,800	90.00/M
			2.0	30	60	0.45	SSA23L-E3/61TGICT-ND	25	2.12	17.65	SSA23L-E3/61TGITR-ND	1,800	106.00/M
			40	60	49	0.49	SSA24-E3/61TGICT-ND	24	2.05	17.08	SSA24-E3/61TGITR-ND	1,800	102.00/M
			3.0	30	75	0.45	SSA33L-E3/61TGICT-ND	34	2.94	24.50	SSA33L-E3/61TGITR-ND	1,800	147.00/M
10	—	SMB	1.5	400	50	1.15	S2G-E3/1GI-ND*	12	1.04	8.63	S2G-E3/52TGITR-ND	750	138.75
				20	100	0.44	SL22-E3/52TGICT-ND	43	3.69	30.75	SL22-E3/52TGITR-ND	750	138.75
				30	100	0.44	SL23-E3/52TGICT-ND	43	3.69	30.75	SL23-E3/52TGITR-ND	750	138.75
				40	75	0.5	SS22-E3/52TGICT-ND	26	2.24	18.70	SS22-E3/52TGITR-ND	750	84.00
			2.0	40	75	0.5	SS24-E3/1GI-ND*	26	2.24	18.70	SS24-E3/52TGITR-ND	750	84.00
				40	75	0.5	SS24-E3/52TGICT-ND	26	2.24	18.70	SS24-E3/52TGITR-ND	750	84.00
				60	75	0.7	SS26-E3/1GI-ND*	27	2.28	18.98	SS26-E3/52TGITR-ND	750	85.50
				100	75	0.79	SS2H10-E3/52TGICT-ND	37	3.16	26.35	SS2H10-E3/52TGITR-ND	750	118.50
			4.0	30	100	0.45	SSB43L-E3/52TGICT-ND	45	3.83	31.90	SSB43L-E3/52TGITR-ND	750	159.00
				40	100	0.49	SSB44-E3/52TGICT-ND	37	3.21	26.73	SSB44-E3/52TGITR-ND	750	160.50
				400	100	1.15	S3G-E3/57TGICT-ND	24	2.07	17.25	S3G-E3/57TGITR-ND	850	138.55
				100	0.5	SS32-E3/57TGICT-ND	38	3.27	27.23	SS32-E3/57TGITR-ND	850	138.55	
11	—	SMC	3.0	40	100	0.5	SS34-E3/57TGICT-ND	38	3.27	27.23	SS34-E3/57TGITR-ND	850	147.05
				60	100	0.75	SS36-E3/57TGICT-ND	40	3.45	28.75	SS36-E3/57TGITR-ND	850	212.50
				100	100	0.8	SS3H10-E3/57TGICT-ND	58	5.01	41.73	SS3H10-E3/57TGITR-ND	850	256.70
				20	150	0.42	SL42-E3/57TGICT-ND	70	6.04	50.33	SL42-E3/57TGITR-ND	850	256.70
			4.0	30	150	0.42	SL43-E3/57TGICT-ND	70	6.04	50.33	SL43-E3/57TGITR-ND	850	256.70
				40	150	0.44	SL44-E3/57TGICT-ND	70	6.04	50.33	SL44-E3/57TGITR-ND	850	256.70
				30	175	0.45	SSC53L-E3/57TGICT-ND	55	4.71	39.28	SSC53L-E3/57TGITR-ND	850	200.60
				40	175	0.49	SSC54-E3/57TGICT-ND	54	4.59	38.23	SSC54-E3/57TGITR-ND	850	194.65
12	—	DO-213AB (MELF)	1.0	20	30	0.50	SGL41-20-E3/1GI-ND*	41	3.47	28.95	SGL41-20-E3/96GITR-ND	1,500	202.66/M
				30	50	0.50	SGL41-20-E3/96GICT-ND	41	3.47	28.95	SGL41-20-E3/96GITR-ND	1,500	202.66/M
				40	30	0.50	SGL41-40-E3/1GI-ND*	41	3.47	28.95	SGL41-40-E3/96GITR-ND	1,500	176.00/M
			3.0	30	50	0.70	SGL41-60-E3/96GICT-ND	41	3.52	29.35	SGL41-60-E3/96GITR-ND	1,500	176.00/M
				30	50	0.45	SS1P3L-E3/84AGICT-ND	29	2.48	20.65	SS1P3L-E3/84AGITR-ND	3,000	124.00/M
				40	50	0.48	SS1P4L-E3/84AGICT-ND	29	2.48	20.65	SS1P4L-E3/84AGITR-ND	3,000	124.00/M
13	—	SMP	2.0	20	50	0.55	SS2P2-E3/84AGICT-ND	29	2.48	20.65	SS2P2-E3/84AGITR-ND	3,000	124.00/M
				20	50	0.50	SS2P2L-E3/84AGICT-ND	29	2.48	20.65	SS2P2L-E3/84AGITR-ND	3,000	124.00/M
				30	50	0.55	SS2P3-E3/84AGICT-ND	29	2.48	20.65	SS2P3-E3/84AGITR-ND	3,000	124.00/M
				30	50	0.50	SS2P3L-E3/84AGICT-ND	29	2.48	20.65	SS2P3L-E3/84AGITR-ND	3,000	124.00/M
				40	50	0.55	SS2P4-E3/84AGICT-ND	29	2.48	20.65	SS2P4-E3/84AGITR-ND	3,000	124.00/M
				40	50	0.58	SS2P3-E3/84AGICT-ND	20	1.70	14.15	SS2P3-E3/84AGITR-ND	3,000	85.00/M
			3.0	40	50	0.60	SS2P4-E3/84AGICT-ND	40	3.43	28.55	SS2P4-E3/84AGITR-ND	3,000	171.00/M
				20	25	0.50	MSS1P2L-E3/89AGICT-ND NEW!	13	1.12	9.33	MSS1P2L-E3/89AGITR-ND NEW!	4,500	56.00/M
				30	25	0.55	MSS1P3-E3/89AGICT-ND NEW!	13	1.09	9.05	MSS1P3-E3/89AGITR-ND NEW!	4,500	54.00/M
				30	25	0.50	MSS1P3L-E3/89AGICT-ND NEW!	13	1.12	9.33	MSS1P3L-E3/89AGITR-ND NEW!	4,500	56.00/M
				40	25	0.55	MSS1P4-E3/89AGICT-ND NEW!	13	1.09	9.05	MSS1P4-E3/89AGITR-ND NEW!	4,500	54.00/M
				50	25	0.68	MSS1P5-E3/89AGICT-ND NEW!	13	1.09	9.05	MSS1P5-E3/89AGITR-ND NEW!	4,500	54.00/M
14	—	MicroSMP	1.0	60	25	0.68	MSS1P6-E3/89AGICT-ND NEW!	13	1.09	9.05	MSS1P6-E3/89AGITR-ND NEW!	4,500	54.00/M

Surface Mount Silicon Diodes - RoHS Compliant

Surface Mount Ultrafast Diodes - RoHS Compliant

Surface Mount Fast Switching Diodes

♦ RoHS Compliant * Bulk Pricing † Tape and Box

(Continued)

~ Exclusive Preview ~
New Product Available Now!

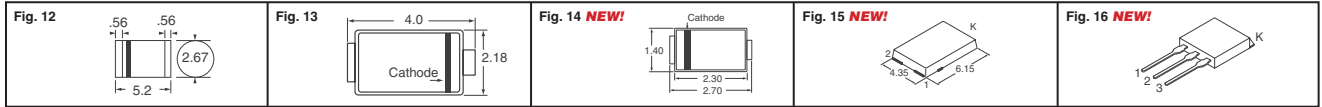


Fig.	Pinning	Package	Maximum Average Rect. Current (A)	Maximum Peak Reverse Voltage (V)	Peak Forward Surge Current (A)	Maximum Instant Forward Voltage (V)	Digi-Key Part No.	Cut Tape Pricing			Digi-Key Part No.	Tape and Reel	
								1	10	100		Qty.	Pricing
NEW! High Current Density Surface Mount Schottky Barrier Rectifiers – RoHS Compliant NEW!													
15	F	SMPC	10	40	280	0.51	SS10P4-E3/86AGICT-ND	.77	6.62	55.13	SS10P4-E3/86AGITR-ND	1,500	331.00/M
			3.0	40	150	0.47	SS3P4L-E3/86AGICT-ND	.48	4.14	34.53	SS3P4L-E3/86AGITR-ND	1,500	207.00/M
			3.0	60	150	0.60	SS3P6L-E3/86AGICT-ND	.48	4.14	34.53	SS3P6L-E3/86AGITR-ND	1,500	207.00/M
			5.0	100	150	0.88	SSSP10-E3/86AGICT-ND	.49	4.22	35.15	SSSP10-E3/86AGITR-ND	1,500	211.00/M
			5.0	30	150	0.52	SSSP3-E3/86AGICT-ND	.48	4.14	34.53	SSSP3-E3/86AGITR-ND	1,500	207.00/M
			5.0	60	150	0.69	SSSP6-E3/86AGICT-ND	.48	4.14	34.53	SSSP6-E3/86AGITR-ND	1,500	207.00/M
			8.0	20	150	0.57	SSSP2L-E3/86AGICT-ND	.52	4.43	36.90	SSSP2L-E3/86AGITR-ND	1,500	221.00/M
			8.0	30	150	0.57	SSSP3L-E3/86AGICT-ND	.52	4.43	36.90	SSSP3L-E3/86AGITR-ND	1,500	221.00/M
8.0	100	150	0.90	SSSPH10-E3/86AGICT-ND	.52	4.43	36.90	SSSPH10-E3/86AGITR-ND	1,500	221.00/M			
NEW! High Current Density Surface Mount Trench MOS Barrier Schottky Rectifiers – RoHS Compliant NEW!													
15	F	SMPC	10	100	180	0.68	V10P10-E3/86AGICT-ND	.91	7.80	65.00	V10P10-E3/86AGITR-ND	1,500	390.00/M
			12	100	200	0.70	V12P10-E3/86AGICT-ND	1.01	8.65	72.08	V12P10-E3/86AGITR-ND	1,500	432.00/M
			8	100	150	0.68	V8P10-E3/86AGICT-ND	.75	6.43	53.58	V8P10-E3/86AGITR-ND	1,500	321.00/M
NEW! High Voltage Trench MOS Barrier Schottky Rectifiers – RoHS Compliant NEW!													
5	B	TO-263AB	30	100	250	0.85	VB30100S-E3/8WGICT-ND	1.91	16.40	136.70	VB30100S-E3/8WGITR-ND	800	726.40
6	E	TO-220AB	20	100	150	0.97	V20100SG-E3/4WGI-ND	1.18	10.15	84.55	—	—	—
			20	120	150	1.23	V20120SG-E3/4WGI-ND	1.33	11.40	94.98	—	—	—
			30	120	300	0.95	V30120S-E3/45GI-ND	2.08	17.79	148.23	—	—	—
7	E	TO-220AB	20	100	250	0.85	VF20100S-E3/45GI-ND	1.54	13.17	109.78	—	—	—
16	E	TO-262AA	20	100	150	0.97	V120100SG-E3/4WGI-ND	1.28	10.94	91.13	—	—	—
NEW! Dual High Voltage Trench MOS Barrier Schottky Rectifiers – RoHS Compliant NEW!													
8	C	TO-247AD	60	100	350	0.79	V60100P-E3/45GI-ND	4.48	38.39	319.88	—	—	—

RoHS Compliant * Bulk Pricing † Tape and Box

Bridge Rectifiers

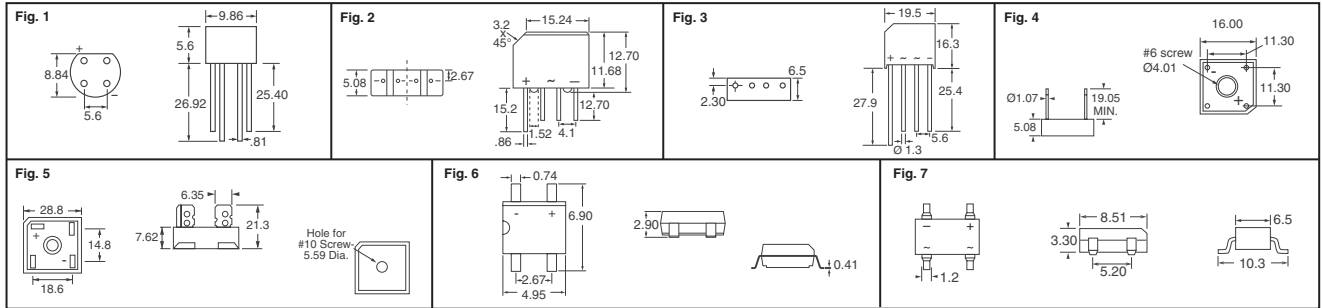


Fig.	Package	Maximum Average Rect. Current (A)	Maximum Peak Reverse Voltage (V)	Peak Forward Surge Current (A)	Maximum Instant Forward Voltage (V)	Digi-Key Part No.	Pricing					
							1	10	100			
Silicon and Glass Passivated Bridge Rectifiers												
1	W0G	1.5	50	1.0	1.0	W005G/1GI-ND	.61	5.19	43.23			
			50	1.0	1.0	W005G-E4/51GI-ND	.61	5.19	43.23			
			100	50	1.0	W01G-E4/51GI-ND	.61	5.19	43.23			
			100	50	1.0	W01G-E4/1GI-ND	.61	5.19	43.23			
			200	50	1.0	W02G-E4/51GI-ND	.61	5.19	43.23			
			200	50	1.0	W02G-E4/1GI-ND	.61	5.19	43.23			
			400	50	1.0	W04G/1GI-ND	.61	5.19	43.23			
			400	50	1.0	W04G-E4/51GI-ND	.61	5.19	43.23			
			600	50	1.0	W06G-E4/51GI-ND	.61	5.19	43.23			
			600	50	1.0	W06G-E4/1GI-ND	.61	5.19	43.23			
			800	50	1.0	W08G/1GI-ND	.61	5.19	43.23			
			800	50	1.0	W08G-E4/51GI-ND	.61	5.19	43.23			
			1000	50	1.0	W10G/1GI-ND	.61	5.19	43.23			
			1000	50	1.0	W10G-E4/51GI-ND	.61	5.19	43.23			
			2	KBPM	2.0	50	60	1.1	2KBP005M-E4/51GI-ND	.69	5.89	49.05
						100	60	1.1	2KBP01M/1GI-ND	.69	5.89	49.05
100	60	1.1				2KBP01M-E4/51GI-ND	.69	5.89	49.05			
200	60	1.1				2KBP02M/1GI-ND	.69	5.89	49.05			
200	60	1.1				2KBP02M-E4/1GI-ND	.69	5.89	49.05			
400	60	1.1				2KBP04M/1GI-ND	.69	5.89	49.05			
400	60	1.1				2KBP04M-E4/51GI-ND	.69	5.89	49.05			
600	60	1.1				2KBP06M-E4/51GI-ND	.69	5.89	49.05			
800	60	1.1				2KBP08M/1GI-ND	.69	5.89	49.05			
1000	60	1.1				2KBP10M/51GI-ND	.69	5.89	49.05			
1000	60	1.1				2KBP10M-E4/51GI-ND	.69	5.89	49.05			
3	KBL	4.0				50	200	1.1	KBL005-E4/51GI-ND	1.32	11.28	94.00
						100	200	1.1	KBL01/1GI-ND	1.32	11.28	94.00
						100	200	1.1	KBL01-E4/51GI-ND	1.32	11.28	94.00
						200	200	1.1	KBL02-E4/51GI-ND	1.50	9.40	69.56
						400	200	1.1	KBL04-E4/51GI-ND	1.32	11.28	94.00
			600	200	1.1	KBL06-E4/51GI-ND	1.32	11.28	94.00			
			800	200	1.1	KBL08-E4/51GI-ND	.68	8.55	48.75			
			800	200	1.1	KBL08-E4/1GI-ND	1.32	11.28	94.00			
			1000	200	1.1	KBL10-E4/51GI-ND	1.32	11.28	94.00			
			4	GBPC6	6.0	100	175	1.0	GBPC601-E4/51GI-ND	2.45	21.04	175.30
						200	175	1.0	GBPC602-E4/51GI-ND	2.45	21.04	175.30
						600	175	1.0	GBPC606-E4/51GI-ND	2.45	21.03	175.25
800	175	1.0				GBPC608-E4/51GI-ND	2.45	21.04	175.30			
1000	175	1.0				GBPC610-E4/51GI-ND	2.45	15.78	122.71			
1000	175	1.0				GBPC610-E4/51GI-ND	2.45	15.78	122.71			
5	GBPC	1.0	50	200	1.1	GBPC12005-E4/51GI-ND	5.51	47.21	393.43			
			100	200	1.1	GBPC1201/1GI-ND	5.51	47.21	393.43			
			100	200	1.1	GBPC1201-E4/51GI-ND	5.51	47.21	393.43			
			200	200	1.1	GBPC1202/1GI-ND	5.51	47.21	393.43			
			400	200	1.1	GBPC1204-E4/51GI-ND	5.51	47.21	393.43			
			600	200	1.1	GBPC1206-E4/51GI-ND	5.51	47.21	393.43			
			800	200	1.1	GBPC1208/1GI-ND	5.51	47.21	393.43			
			1000	200	1.1	GBPC1210-E4/51GI-ND	5.51	47.21	393.43			
			50	300	1.1	GBPC25005/1GI-ND	5.51	47.21	393.43			
			50	300	1.1	GBPC25005-E4/51GI-ND	5.51	47.21	393.43			
			100	300	1.1	GBPC2501-E4/51GI-ND	5.51	47.21	393.43			
			400	300	1.1	GBPC2504-E4/51GI-ND	5.51	47.21	393.43			
			600	300	1.1	GBPC2506-E4/51GI-ND	5.51	47.21	393.43			
			800	300	1.1	GBPC2508/1GI-ND	5.51	47.21	393.43			
			800	300	1.1	GBPC2508-E4/1GI-ND	5.51	47.21	393.43			
			50	400	1.1	GBPC35005/1GI-ND	6.37	54.59	454.90			
100	400	1.1	GBPC35005-E4/1GI-ND	6.37	54.59	454.90						
100	400	1.1	GBPC3501/1GI-ND	6.37	54.59	454.90						
100	400	1.1	GBPC3501-E4/51GI-ND	6.37	54.59	454.90						
200	400	1.1	GBPC3502-E4/1GI-ND	6.37	54.59	454.90						
400	400	1.1	GBPC3504/1GI-ND	6.37	54.59	454.90						
400	400	1.1	GBPC3504-E4/51GI-ND	6.37	54.59	454.90						
600	400	1.1	GBPC3506/1GI-ND	6.37	54.59	454.90						
600	400	1.1	GBPC3506-E4/51GI-ND	6.37	54.59	454.90						
800	400	1.1	GBPC3508/1GI-ND	6.37	54.59	454.90						
800	400	1.1	GBPC3508-E4/51GI-ND	6.37	54.59	454.90						
1000	400	1.1	GBPC3510/1GI-ND	6.37	54.59	454.90						
1000	400	1.1	GBPC3510-E4/51GI-ND	6.37	54.59	454.90						
6	TO-269AA	0.5	200	35	1.0	MB2S-E3/45GI-ND	.51	4.33	36.10			
Miniature Glass Passivated Single-Phase Surface Mount Bridge Rectifiers												
7	DFS	1.0	200	50	1.1	DF02S-E3/45GI-ND	.61	5.19	43.25			
			400	50	1.1	DF04S-E3/45GI-ND	.61	5.19	43.25			
			600	50	1.1	DF06S-E3/45GI-ND	.61	5.19	43.25			

RoHS Compliant

~ Exclusive Preview ~
New Product Available Now!