

1st character of code

[0](#) [1](#) [2](#) [3](#) [4](#) [5](#) [6](#) [7](#) [8](#) [9](#)
[A](#) [B](#) [C](#) [D](#) [E](#) [F](#) [G](#) [H](#) [I](#)
[J](#) [K](#) [L](#) [M](#) [N](#) [O](#) [P](#) [Q](#)
[R](#)
[S](#) [T](#) [U](#) [V](#) [W](#) [X](#) [Y](#) [Z](#)

Bases

[A-F](#) [G-K](#) [L-P](#)
[Q-V](#) [W-Z](#)
[AQ-FQ](#) [GQ-LQ](#)
[MQ-SQ](#) [TQ-ZQ](#)
[ZA-ZF](#) [CS-CZ](#)
[DA-DF](#) [DG-DL](#)
[DM-DS](#) [DT-DZ](#)

Other Info

[Codebook](#)
[Introduction](#)
[Abbreviations](#)
[HP diode coding](#)
[SOD-80 \(Melf\) diodes](#)
[Plastic Melf/mini-Melf](#)
[Coloured SOD-123/323 diodes](#)
[SMD Electrolytics](#)
[SMD Ceramic Capacitors](#)
[SMD Resistors](#)
[Package Equivalents](#)
[Date coding](#)

Package dimensions

[SOT-23, SOT346](#)
[SOT-323, SOT-416](#)
[SOT-223, SOT-89](#)
[SOT-143, SOT-363](#)
[Diodes](#)

The SMD Codebook

© R P Blackwell, GM4PMK

To look up a coded device, click on the first character of the device code in the table on the left.

Datasheet.Global

[back
to](#)

[Wormhole back to
Marsport](#)

GM4PMK's SMD Codebook

Codes beginning with '0'

be sure to check the 'O' (letter O) table as well

Code	Device	Manf	Base	Package	Leaded Equivalent/Data
0	2SC3603	Nec	CX	SOT173	Npn RF fT 7GHz
005	SSTPAD5	Sil	J		PAD-5 5pA leakage diode
p01	PDTA143ET	Phi	N	SOT23	pnv dtr 4k7+4k7
t01	PDTA143ET	Phi	N	SOT23	pnv dtr 4k7+4k7
01	Gali-1	MC	AZ	SOT89	DC-8GHz MMIC amp 12dB gain
010	SSTPAD10	Sil	J		PAD-10 10pA leakage diode
011	SO2369R	SGS	R	SOT23R	2N2369
02	BST82	Phi	M		n-ch mosfet 80V 175mA
02	MRF5711L	Mot	X	SOT143	npn RF MRF571
02	GDZ2.0B	Vis	I	SOD323	zener 200mW 2.0V
02	DTCC114T	Roh	N		50V 100mA npn sw + 10k base res
02	Gali-2	MC	AZ	SOT89	DC-8GHz MMIC amp 16dB gain
p02	PDTC143ET	Phi	N	SOT23	npn 4k7+4k7 bias res
t02	PDTC143ET	Phi	N	SOT23	npn 4k7+4k7 bias res
03	Gali-3	MC	AZ	SOT89	DC-3GHz MMIC amp 22dB gain
03	DTC143TE	Roh	N	EMT3	npn dtr R1 4k7 50V 100mA
03	DTC143TUA	Roh	N	SC70	npn dtr R1 4k7 50V 100mA
03	DTC143TKA	Roh	N	SC59	npn dtr R1 4k7 50V 100mA
04	DTC114TCA	Roh	N	SOT23	npn dtr R1 10k 50V 100mA
04	DTC114TE	Roh	N	EMT3	npn dtr R1 10k 50V 100mA
04	DTC114TUA	Roh	N	SC70	npn dtr R1 10k 50V 100mA
04	DTC114TKA	Roh	N	SC59	npn dtr R1 10k 50V 100mA
04	MRF5211L	Mot	X	SOT143	pnv RF MRF521
04	Gali-4	MC	AZ	SOT89	DC-4GHz MMIC amp 17.5 dBm
-04	PMSS3904	Phi	N	SOT323	2N3904
t04	PMBS3904	Phi	N	SOT23	2N3904

05	Gali-4	MC	AZ	SOT89	DC-4GHz MMIC amp 18 dBm o/p
05	DTC124TE	Roh	N	EMT3	npn dtr R1 22k 50V 100mA
05	DTC124TUA	Roh	N	SC70	npn dtr R1 22k 50V 100mA
05	DTC124TKA	Roh	N	SC59	npn dtr R1 22k 50V 100mA
05	EDZ10B	Roh	I	EMD2	150mW zener 10V
05	VDZ10B	Roh	I	VMD2	150mW zener 10V
05F	TSDF1205R	Vis	WQ	SOT143R	fT12GHz npn 4V 12mA
06	Gali-6	MC	AZ	SOT89	DC-4GHz MMIC amp 115 dBm o/p
06	DTC144TE	Roh	N	EMT3	npn dtr R1 47k 50V 100mA
06	DTC144TUA	Roh	N	SC70	npn dtr R1 47k 50V 100mA
06	DTC144TKA	Roh	N	SC59	npn dtr R1 47k 50V 100mA
-06	PMSS3906	Phi	N	SOT323	2N3906
t06	PMBS3906	Phi	N	SOT23	2N3906
p08	PMBFJ108	Phi	F	SOT23	n-ch jfet J108
p09	PMBFJ109	Phi	F	SOT23	n-ch jfet J109
020	SSTPAD20	Sil	J		PAD-20 20pA leakage diode
050	SSTPAD50	Sil	J		PAD-50 50pA leakage diode
081	SO2369AR	SGS	R	SOT23R	2N2369A
09	DTC115TUA	Roh	N	SC70	npn dtr R2 100k 50V 100mA
09	DTC115TKA	Roh	N	SC59	npn dtr R2 100k 50V 100mA
0A	MUN5111DW1	Mot	DO	SOT363	dual pnp dtr 10k+10k
0A	DTC125TUA	Roh	N	SC70	npn dtr R2 100k 50V 100mA
0A	DTC125TKA	Roh	N	SC59	npn dtr R2 100k 50V 100mA
0B	MUN5112DW1	Mot	DO	SOT363	dual pnp dtr 22k+22k
0C	MUN5113DW1	Mot	DO	SOT363	dual pnp dtr 47k+47k
0D	MUN5114DW1	Mot	DO	SOT363	dual pnp dtr 10k+47k
0E	MUN5115DW1	Mot	DO	SOT363	dual pnp dtr R1 10k
0F	MUN5116DW1	Mot	DO	SOT363	dual pnp dtr R1 4k7
0G	MUN5130DW1	Mot	DO	SOT363	dual pnp dtr 1k0+1k0
0H	MUN5131DW1	Mot	DO	SOT363	dual pnp dtr 2k2+2k2
0J	MUN5132DW1	Mot	DO	SOT363	dual pnp dtr 4k7+4k7
0K	MUN5133DW1	Mot	DO	SOT363	dual pnp dtr 4k7+47k
0L	MUN5134DW1	Mot	DO	SOT363	dual pnp dtr 22k+47k
0M	MUN5135DW1	Mot	DO	SOT363	dual pnp dtr 2k2+47k

*Last modified 01/06/2006
by GM4PMK*

GM4PMK's SMD Codebook

Codes beginning with '1'

be sure to check the 'l' (letter i) table as well

Code	Device	Manf	Base	Package	Leaded Equivalent/Data
1	2SC3587	Nec	CX		npn RF fT10GHz
1	BA277	Phi	I	SOD523	VHF Tuner band switch diode
1 (red)	BB669	Sie	I	SOD323	56-2.7 pF varicap
10	MRF9411L	Mot	X	SOT143	npn Rf 8GHz MRF941
10	1PS59SB10	Phi	C	SOT346	30V 0.2A schottky diode
10A	PZM10NB2A	Phi	A	SOT346	dual ca 10V 0.3W zener
10V	PZM10NB	Phi	C	SOT346	10V 0.3W zener
10Y	BZV49-C10	Phi	O	SOT89	10V 1W zener
p10	PMBFJ110	Phi	F	SOT23	n-ch jfet J110
11	MRF9511L	Mot	X	SOT143	npn RF 8GHz MRF951
11	MUN5311DW1	Mot	DP	SOT363	npn/pnp dtr 10k+10k
11	PDTA114EU	Phi	N	SOT416	pnv dtr
p11	PDTA114TT	Phi	N	SOT23	pnv dtr
p11	PMBFJ111	Phi	F	SOT23	n-ch jfet J111
t11	PDTA114TT	Phi	N	SOT23	pnv dtr
11A	PZM11NB2A	Phi	A	SOT346	dual ca 11V 0.3W zener
11A	MMBD1501A	Nat	C	SOT23	Si diode 200V 100mA
11V	PZM11NB	Phi	C	SOT346	11V 0.3W zener
11Y	BZV49-C11	Phi	O	SOT89	11V 1W zener
12	MUN5312DW1	Mot	DP	SOT363	npn/pnp dtr 22k+22k
12	DTA123EUA	Rho	N	SC70	pnv dtr 2k2+2k2 50V 100ma
12	DTA123EKA	Rho	N	SC59	pnv dtr 2k2+2k2 res 50V 100ma
12	GDZ2.2B	Vis	I	SOD323	zener 200mW 2.2V
p12	PDTC114TT	Phi	N	SOT23	npn dtr
p12	PMBFJ112	Phi	F	SOT23	n-ch jfet J112
t12	PDTC114TT	Phi	N	SOT23	npn dtr
12A	MMBD1502A	Nat	K	SOT23	Si diode 200V 100mA

12A	PZM12NB2A	Phi	A	SOT346	dual ca 12V 0.3W zener
12E	ZC2812E	Zet	D	SOT23	dual series RF schottky15V 20mA
12V	PZM12NB	Phi	C	SOT346	12V 0.3W zener
12Y	BZV49-C12	Phi	O	SOT89	12V 1W zener
13	DTA143EUA	Rho	N	SC70	pnp dtr 4k7+4k7 50V 100ma
13	DTA143EKA	Rho	N	SC59	pnp dtr 4k7+4k7 50V 100ma
13	DTA143ECA	Rho	N	SOT23	pnp dtr 4k7+4k7 50V 100ma
13t	BC846BPN	Phi	N	SOT363	BC546B
13s	BAS125	Sie	C	SOT23	Schottky sw 24V 100mA
13s	BAS125W	Sie	C	SOT323	Schottky sw 24V 100mA
13	MA4CS103A	M/A	C	SOT23	Schottky RF 20V 100mA
13	MUN5313DW1	Mot	DP	SOT363	npn/pnp dtr 47k+47k
p13	PMBFJ113	Phi	F	SOT23	n-ch jfet J113
13A	MMBD1503A	Nat	D	SOT23	dual Si diode 200V 100mA
13A	PZM13NB2A	Phi	A	SOT346	dual ca 13V 0.3W zener
13E	ZC2813E	Zet	A	SOT23	dual ca RF schottky15V 20mA
13R	S913TR	Vis	UQ	SOT143R	dg mosfet MOSIC 9V uhf tv tuners
13V	PZM13NB	Phi	C	SOT346	13V 0.3W zener
13Y	BZV49-C13	Phi	O	SOT89	13V 1W zener
14s	BAS125-04	Sie	D	SOT23	Dual series Schottky 25V 100mA
14s	BAS125-04W	Sie	D	SOT323	Dual series Schottky 25V 100mA
14	BAT114-099R	Sie	DQ		Quad Schottky crossover ring
14	DTA114EUA	Roh	N	SC70	pnp dtr 10k + 10k
14	DTA114EKA	Roh	N	SC59	pnp dtr 10k + 10k
14	MUN5314DW1	Mot	DP	SOT363	npn/pnp dtr 10k R1
14	DTA114ECA	Roh	N	SOT23	pnp dtr 10k + 10k
14	1PS59SB14	Phi	D	SOT346	dual series 30V 0.2A schottky diode
14A	MMBD1504A	Nat	B		dual cc Si diode 200V 100mA
15s	BAS125-05	Sie	B	SOT23	dual cc Schottky 25V 100mA
15s	BAS125-05W	Sie	B	SOT323	dual cc Schottky 25V 100mA
15	DTA124EUA	Roh	N	SC70	pnp dtr 30V 50mA 22k+22k
15	DTA124EKA	Roh	N	SC59	pnp dtr 30V 50mA 22k+22k
15	DTA124ECA	Roh	N	SOT23	pnp dtr 30V 50mA 22k+22k
15	MUN5315DW1	Mot	DP	SOT363	npn/pnp dtr 10k R1
15	MMBT3960	Mot	N		2N3960

15	1PS59SB15	Phi	B	SOT346	dual cc 30V 0.2A schottky diode
15	EDZ11B	Roh	I	EMD2	150mW zener 11V
15	VDZ11B	Roh	I	VMD2	150mW zener 11V
15A	MMBD1505A	Nat	A		dual ca Si diode 200V 100mA
15A	PZM15NB2A	Phi	A	SOT346	dual ca 15V 0.3W zener
15V	PZM15NB	Phi	C	SOT346	15V 0.3W zener
15Y	BZV49-C15	Phi	O	SOT89	15V 1W zener
p16	PDTC114ET	Phi	N	SOT23	npn dtr
t16	PDTC114EU	Phi	N	SOT323	npn dtr
16s	BAS125-06	Sie	A	SOT23	dual ca Schottky 25V 100mA
16s	BAS125-06W	Sie	A	SOT323	dual ca Schottky 25V 100mA
16	MUN5316DW1	Mot	DP	SOT363	npn/npn dtr 4k7 R1
16	DTA144EUA	Roh	N	SC70	npn dtr 30V 50mA 47k+47k
16	DTA144EKA	Roh	N	SC59	npn dtr 30V 50mA 47k+47k
16	1PS59SB16	Phi	A	SOT346	dual ca 30V 0.2A schottky diode
16V	PZM16NB	Phi	C	SOT346	16V 0.3W zener
16Y	BZV49-C16	Phi	O	SOT89	16V 1W zener
17s	BAS125-07	Sie	S	SOT143	dual Schottky 25V 100mA
17s	BAS125-07W	Sie	S	SOT343	dual Schottky 25V 100mA
p17	PDTC124ET	Phi	N	SOT23	npn dtr
t17	PDTC124EU	Phi	N	SOT323	npn dtr
18	BFP181T	Tfk	X		npn Rf fT 7.8GHz 10V 20mA
18	PDTC143ZK	Phi	N	SOT346	npn dtr 4k7+47k
p18	PDTC143ZT	Phi	N	SOT23	npn dtr 4k7+47k
t18	PDTC143ZT	Phi	N	SOT23	npn dtr 4k7+47k
18E	MMBZ5225B	Vis	C	SOT23	zener 300mW 3.0V
18F	MMBZ5260B	Vis	C	SOT23	zener 300mW 43V
18V	PZM18NB	Phi	C	SOT346	18V 0.3W zener
18Y	BZV49-C18	Phi	O	SOT89	18V 1W zener
19	PDTA143ZK	Phi	N	SOT346	npn dtr 4k7+47k
19	DTA115EUA	Rho	N	SC70	npn dtr 100k+100k 50V 100ma
19	DTA115EKA	Rho	N	SC59	npn dtr 100k+100k 50V 100ma
p19	PDTA143ZT	Phi	N	SOT23	npn dtr 4k7+47k
t19	PDTA143ZT	Phi	N	SOT23	npn dtr 4k7+47k
100	SSTPAD100	Sil	J	SOT23	PAD-100 100pA leakage diode

101	PZM10NB1	Phi	C	SOT346	10V 0.3W zener
102	PZM10NB2	Phi	C	SOT346	10V 0.3W zener
103	PZM10NB3	Phi	C	SOT346	10V 0.3W zener
111	PZM11NB1	Phi	C	SOT346	11V 0.3W zener
111	DTA113ZUA	Roh	N	SC70	pnnp dtr 1k+10k 50V 100mA
112	PZM11NB2	Phi	C	SOT346	11V 0.3W zener
113	PZM11NB3	Phi	C	SOT346	11V 0.3W zener
113	DTA143ZUA	Roh	N	SC70	pnnp dtr 4k7+47k 50V 100mA
121	PZM12NB1	Phi	C	SOT346	12V 0.3W zener
121	DTC113ZUA	Roh	N	SC70	npn dtr 1k+10k 50V 100mA
122	PZM12NB2	Phi	C	SOT346	12V 0.3W zener
123	PZM12NB3	Phi	C	SOT346	12V 0.3W zener
123	DTC143ZUA	Roh	N	SC70	npn dtr 4k7+47k 50V 100mA
131	PZM13NB1	Phi	C	SOT346	13V 0.3W zener
132	PZM13NB2	Phi	C	SOT346	13V 0.3W zener
132	DTA123JUA	Roh	N	SC70	pnnp dtr 2k2+47k 50V 100mA
133	PZM13NB3	Phi	C	SOT346	13V 0.3W zener
142	DTA123JUA	Roh	N	SC70	npn dtr 2k2+47k 50V 100mA
151	PZM15NB1	Phi	C	SOT346	15V 0.3W zener
152	PZM15NB2	Phi	C	SOT346	15V 0.3W zener
153	PZM15NB3	Phi	C	SOT346	15V 0.3W zener
156	DTA144VUA	Roh	N	SC70	pnnp dtr 47k+10k 50V 100mA
161	PZM16NB1	Phi	C	SOT346	16V 0.3W zener
162	PZM16NB2	Phi	C	SOT346	16V 0.3W zener
163	PZM16NB3	Phi	C	SOT346	16V 0.3W zener
166	DTC144VUA	Roh	N	SC70	npn dtr 47k+10k 50V 100mA
179	FMMT5179	Zet	N		2N5179
181	PZM18NB1	Phi	C	SOT346	18V 0.3W zener
182	PZM18NB2	Phi	C	SOT346	18V 0.3W zener
183	PZM18NB3	Phi	C	SOT346	18V 0.3W zener
1A	BC846A	Phi	N	SOT23	BC546A
1A	BC846AT	Phi	N	SOT416	BC546A
1Ap	BC846A	Phi	N	SOT23	BC546A
1At	BC846A	Phi	N	SOT23	BC546A
1At	BC846AW	Phi	N	SOT323	BC546A

1A-	BC846AW	Phi	N	SOT323	BC546A
1A	FMMT3904	Zet	N	SOT23	2N3904
1A	MMBT3904	Mot	N	SOT23	2N3904
1A	IRLML2402	IR	F	SOT23	n-ch mosfet 20V 0.9A
p1A	PMMT3904	Phi	N	SOT23	2N3904
p1A	PXT3904	Phi	N	SOT89	2N3904
t1A	PMMT3904	Phi	N	SOT23	2N3904
t1A	PMST3904	Phi	N	SOT323	2N3904
-1A	PMST3904	Phi	N	SOT323	2N3904
1AM	MMBT3904L	Mot	N	SOT23	2N3904
1B	BC846B	Phi	N	SOT23	BC546B
1B	BC846BT	Phi	N	SOT416	BC546B
1Bp	BC846B	Phi	N	SOT23	BC546B
1Bt	BC846B	Phi	N	SOT23	BC546B
1Bt	BC846BW	Phi	N	SOT323	BC546B
1B-	BC846BW	Phi	N	SOT323	BC546B
1B	FMMT2222	Zet	N	SOT23	2N2222
1B	MMBT2222	Mot	N	SOT23	2N2222
1B	IRLML2803	IR	F	SOT23	n-ch mosfet 30V 0.9A
p1B	PMBT2222	Phi	N	SOT23	2N2222
t1B	PMBT2222	Phi	N	SOT23	2N2222
t1B	PMST2222	Phi	N	SOT233	2N2222
-1B	PMST2222	Phi	N	SOT323	2N2222
1Bs	BC817UPN	Sie	N	SC74	
1Cp	BAP50-05	Phi	B	SOT23	dual cc GP RF pin diode
1C	FMMT-A20	Zet	N	SOT23	MPSA20
1C	MMBTA20L	Mot	N	SOT23	MPS3904
1C	IRLML6302	IR	F	SOT23	p-ch mosfet 20V 0.6A
1Cs	BC847S	Sie		SOT363	BC457
1Dp	BC846	Phi	N	SOT23	BC456
1Dt	BC846	Phi	N	SOT23	BC456
1Dt	BC846W	Phi	N	SOT323	BC456
1D-	BC846W	Phi	N	SOT323	BC456
1D	MMBTA42	Mot	N	SOT23	MPSA42 300V npn
1D	IRLML5103	IR	F	SOT23	p-ch mosfet 30V 0.6A

p1D	PMBTA42	Phi	N	SOT23	MPSA42 300V npn
p1D	PXTA42	Phi	N	SOT89	MPSA42 300V npn
t1D	PMBTA42	Phi	N	SOT23	MPSA42 300V npn
t1D	PMSTA42	Phi	N	SOT323	MPSA42 300V npn
1Ds	BC846U	Sie	N	SC74	BC456
1Ds	BC846U	Sie		SOT363	BC456
1DN	2SC4083	Roh	N		nnp 11V 3.2GHz TV tuners
1DR	MSD1328R	Mot	N	SOT346	nnp gp 25V 500mA
1E	BC847A	Phi	N	SOT23	BC547A
1E	BC847AT	Phi	N	SOT416	BC547A
1E	BC847AT	Dio	N	SOT523	BC547A
1Ep	BC847A	Phi	N	SOT23	BC547A
1Et	BC847A	Phi	N	SOT23	BC547A
1Et	BC847A	Phi	N	SOT323	BC547A
1E-	BC847A	Phi	N	SOT323	BC547A
1ER	BC847AR	Phi	R	SOT23R	BC547A
1E	FMMT-A43	Zet	N		MPSA43
1E	MMBTA43	Mot	N	SOT23	MPSA43 200V npn
t1E	PMBTA43	Mot	N	SOT23	MPSA43 200V npn
t1E	PMSTA43	Mot	N	SOT323	MPSA43 200V npn
1Es	BC847A	Sie	N	SOT23	BC457
1Es	BC847AW	Sie	N	SOT323	BC457
1EN	2SC4084	Roh	N		nnp 20V 2.0GHz TV tuners
1F	BC847B	Phi	N	SOT23	BC547B
1F	BC847BT	Phi	N	SOT416	BC547B
1F	BC847BT	Dio	N	SOT523	BC547B
1Fs	BC847B	Sie	N	SOT23	BC547B
1Fs	BC847BT	Sie	N	SC75	BC547B
1Fs	BC847BW	Sie	N	SOT323	BC547B
1Fp	BC847B	Phi	N	SOT23	BC547B
1Ft	BC847B	Phi	N	SOT23	BC547B
1Ft	BC847BW	Phi	N	SOT323	BC547B
1F-	BC847BW	Phi	N	SOT323	BC547B
1FR	BC847BR	Phi	R	SOT23R	BC547B
1F	MMBT5550	Mot	N	SOT23	2N5550 140V npn

p1F	PMBT5550	Phi	N	SOT23	2N5550 140V npn
t1F	PMBT5550	Phi	N	SOT23	2N5550 140V npn
t1F	PMST5550	Phi	N	SOT323	2N5550 140V npn
1FZ	FMBT5550	Zet	N	SOT23	2N5550 140V npn
1G	BC847C	Phi	N	SOT23	BC547C
1G	BC847CT	Phi	N	SOT416	BC547C
1Gp	BC847C	Phi	N	SOT23	BC547C
1Gt	BC847CW	Phi	N	SOT323	BC547C
1G-	BC847CW	Phi	N	SOT323	BC547C
1Gs	BC847C	Sie	N	SOT23	BC547C
1Gs	BC847CW	Sie	N	SOT323	BC547C
1GR	BC847CR	Phi	R	SOT23R	BC547C
1GT	SOA06	SGS	N	SOT23	MPSA06
1G	FMMT-A06	Zet	N	SOT23	MPSA06
1G	MMBTA06	Mot	N	SOT23	MPSA06
p1G	PMMTA06	Phi	N	SOT23	MPSA06
t1G	PMMTA06	Phi	N	SOT23	MPSA06
t1G	PMMTA06	Phi	N	SOT323	MPSA06
1GM	MMBTA06	Mot	N	SOT23	MPSA06
1Hp	BC847	Phi	N	SOT23	BC547
1Ht	BC847	Phi	N	SOT23	BC547
1Ht	BC847W	Phi	N	SOT323	BC547
1H-	BC847W	Phi	N	SOT323	BC547
1H	FMMT-A05	Zet	N		MPSA05
1H	MMBTA05	Mot	N	SOT23	MPSA05
t1H	MMBTA05	Phi	N	SOT323	MPSA05
1HT	SOA05	SGS	N	SOT23	MPSA05
1J	BC848A	Phi	N	SOT23	BC548A
1Js	BC848A	Sie	N	SOT23	BC548A
1Js	BC848AW	Sie	N	SOT323	BC548A
1J	FMMT2369	Zet	N	SOT23	2N2369
1J	MMBT2369	Mot	N	SOT23	MPS2369
1Js	BCV61A	Sie	VQ	SOT143	npn current mirror hFe 180
1Jp	BCV61A	Phi	VQ	SOT143	npn current mirror hFe 180
p1J	PMBT2369	Phi	N	SOT23	2N2369

t1J	PMBT2369	Phi	N	SOT23	2N2369
t1J	PMBT2369	Phi	N	SOT323	2N2369
1JA	MMBT2369A	Mot	N	SOT23	MPS2369A
1JR	BC848AR	Phi	R	SOT23R	BC548A
1JZ	BC848A	Zet	N	SOT23	BC548A
1K	BC848B	ITT	N	SOT23	BC548B
1Kp	BC848B	Phi	N	SOT23	BC548B
1Ks	BC848B	Sie	N	SOT23	BC548B
1Ks	BC848BW	Sie	N	SOT323	BC548B
1K	MMBT6428	Mot	N	SOT23	MPSA18 50V
p1K	PMBT6428	Phi	N	SOT23	MPSA18 50V
t1K	PMBT6428	Phi	N	SOT23	MPSA18 50V
t1K	PMBT6428	Phi	N	SOT323	MPSA18 50V
1K	FMMT4400	Zet	N	SOT23	2N4400
1Ks	BCV61B	Sie	VQ	SOT143B	npn current mirror hFe 290
1Kp	BCV61B	Phi	VQ	SOT143B	npn current mirror hFe 290
1KR	BC848BR	Phi	R	SOT23R	BC548B
1KM	MMBT6428L	Mot	N	SOT23	MPSA18 50V
1KZ	FMMT4400	Zet	N	SOT23	2N4400
1L	BC848C	ITT	N	SOT23	BC548C
1Lp	BC848C	Phi	N	SOT23	BC548C
1Ls	BC848C	Sie	N	SOT23	BC548C
1Ls	BC848CW	Sie	N	SOT323	BC548C
1L	MMBT6429	Mot	N		MPSA18 45V
1L	FMMT4401	Zet	N		2N4401
1L	BCV61C	Sie	VQ	SOT143B	npn current mirror hFe 520
1Lp	BCV61C	Phi	VQ	SOT143B	npn current mirror hFe 520
p1L	PMBT6429	Phi	N	SOT23	MPSA18 45V
t1L	PMBT6429	Phi	N	SOT23	MPSA18 45V
t1L	PMBT6429	Phi	N	SOT323	MPSA18 45V
1LR	BC848CR	Phi	R	SOT23R	BC548C
1Mp	BC848	Phi	N	SOT23	BC548
1M	MMBTA13	Mot	N	SOT23	MPSA13 darlington
1M	BC848C	Dio	N	SOT523	BC548
1Mp	BCV61	Phi	VQ	SOT143B	npn current mirror

1M	FMMT-A13	Zet	N	SOT23	MPSA13
p1M	PXTA13	Phi	N	SOT89	MPSA13 darlington
p1M	PMBTA13	Phi	N	SOT23	MPSA13 darlington
t1M	PMBTA13	Phi	N	SOT23	MPSA13 darlington
1N	FMMT-A14	Zet	N	SOT23	MPSA14
1N	MMBTA14	Mot	N	SOT23	MPSA14 darlington
1N5	ZTX11N15DF	Zet	N	SOT23	nnp 15V 3A low saturation V
p1N	PMBTA14	Mot	N	SOT23	MPSA14 darlington
p1N	PXTA14	Mot	N	SOT89	MPSA14 darlington
t1N	PMBTA14	Mot	N	SOT23	MPSA14 darlington
1P	FMMT2222A	Zet	N		2N2222A
1P	MMBT2222A	Mot	N	SOT23	2N2222A
1P	BC847PN	Sie	DI		pnp/npn separate pair gp AF
1P	CMDZ18L	CSC	I	SOD323	zener 250mW Iz 0.5mA 18V
p1P	PMBT2222A	Phi	N	SOT23	2N2222A
p1P	PXT2222A	Phi	N	SOT89	2N2222A
t1P	PMBT2222A	Phi	N	SOT23	2N2222A
t1P	PMST2222A	Phi	N	SOT323	2N2222A
1Q	MMBT5088	Mot	N	SOT23	MPSA18 Vce 30V
p1Q	PMBT5088	Phi	N	SOT23	MPSA18 Vce 30V
t1Q	PMBT5088	Phi	N	SOT23	MPSA18 Vce 30V
t1Q	PMST5088	Phi	N	SOT323	MPSA18 Vce 30V
1R	MMBT5089	Mot	N	SOT23	MPSA18 Vce 25V
t1R	PMST5089	Phi	N	SOT323	MPSA18 Vce 25V
1S	MMBT2369A	Nat	N	SOT23	2N2369A 500MHz sw npn
1S	MSC3130	Mot	H	SOT346	nnp RF ft 1.4GHz 10V
1T	MMBT3960A	Mot	N		2N3960A
1U	MMBT2484L	Mot	N	SOT23	MPSA18
1V	MMBT6427	Mot	H	SOT23	2N6426/7 darlington npn
1Vp	BF820	Phi	N	SOT23	nnp 300V 50mA BF420
1Vt	BF820	Phi	N	SOT23	nnp 300V 50mA BF420
1Vt	BF820W	Phi	N	SOT323	nnp 300V 50mA BF420
1V-	BF820W	Phi	N	SOT323	nnp 300V 50mA BF420
1W	FMMT3903	Zet	N	SOT23	2N3903
1Wp	BF821	Phi	N	SOT23	pnp 300V 50mA BF421

1Wt	BF821	Phi	N	SOT23	pnp 300V 50mA BF421
1W t	BF822W	Phi	N	SOT323	pnp 300V 50mA BF421
1W -	BF822W	Phi	N	SOT323	pnp 300V 50mA BF421
1X	MMBT930L	Mot	N	SOT23	MPS3904
1Xp	BF822	Phi	N	SOT23	npn 250V 50mA BF422
1Xt	BF822	Phi	N	SOT23	npn 250V 50mA BF422
1Y	MMBT3903	Mot	N	SOT23	2N3903
1Yp	BF823	Phi	N	SOT23	pnp 250V 50mA BF423
1Yt	BF823	Phi	N	SOT23	pnp 250V 50mA BF423
1Z	BAS70-06	Zet	A	SOT23	dual RF CA schottky diode
1Z	MMBT6517	Mot	N	SOT23	2N6517 npn Vce 350V

Last Updated on 01/06/2006

By GM4PMK

GM4PMK's SMD Codebook

Codes beginning with '2'

Code	Device	Manf	Base	Package	Leaded Equivalent/Data
2	BAT62-02W	Sie	I	SCD80	BAT16 schottky diode
2	BB182	Phi	I	SOD523	varicap 2.5-23pF
2 (blue)	BAR64-03W	Sie	I	SOD323	pin diode
2	2SC3604	Nec	CX		npn RF fT8GHz 12dB@2GHz
2 (white)	BB439	Sie	I	SOD323	29-5 pF varicap
20	MRF5811	Mot	X	SOT143	npn Rf fT 5GHz 0.2A
-20	PDTC114WU	Phi	N	SOT323	npn dtr
20F	TSDF1220R	Vis	WQ	SOT143R	fT 12GHz npn 6V 20mA
20V	PZM20NB	Phi	C	SOT346	20V 300mW zener
20Y	BZV49-C20	Phi	O	SOT89	20V 1W zener
21	Gali-21	MC	AZ	SOT89	DC-8GHz MMIC amp 14 dB gain
21	1PS59SB21	Phi	C	SOT346	schottky diode 40V 0.2A
22	MMBT4209	Nat	N	SOT23	pnnp sw 850MHz 2N4209
22	DTC123EUA	Rho	N	SC70	nnp dtr 2k2+2k2 50V 100ma
22	DTC123EKA	Rho	N	SC59	nnp dtr 2k2+2k2 50V 100ma
22	GDZ2.4B	Vis	I	SOD323	zener 200mW 2.4V
22V	PZM22NB	Phi	C	SOT346	22V 300mW zener
22Y	BZV49-C22	Phi	O	SOT89	22V 1W zener
23	MMBT3646	Nat	N	SOT23	nnp sw 350MHz 2N3646
23	DTC143EUA	Roh	N	SC70	pnnp dtr 50V 100mA 4k7+ 4k7
23	DTC143EKA	Roh	N	SC59	pnnp dtr 50V 100mA 4k7+ 4k7
-23	PDTA114TU	Phi	N	SOT323	pnnp dtr R1 10k
t23	PDTA114TU	Phi	N	SOT323	pnnp dtr R1 10k
24	RR264M-400	Roh	I	PMDU	hi-rel 400V 0.7A diode
24	MMBD2101	Nat	C	SOT23	Si diode 100V 200mA
24	DTC114ECA	Roh	N	SOT23	nnp dtr 50V 100mA 10k + 10k
24	DTC114EUA	Roh	N	SC70	nnp dtr 50V 100mA 10k + 10k
24	DTC114EKA	Roh	N	SC59	nnp dtr 50V 100mA 10k + 10k

24	2SC5006	Nec	N		npn RF fT 4.5GHz @3V 7mA
-24	PDTC114TU	Phi	N	SOT323	npn dtr R1 10k
t24	PDTC114TU	Phi	N	SOT323	npn dtr R1 10k
24V	PZM24NB	Phi	C	SOT346	24V 300mW Zener
24Y	BZV49-C24	Phi	O	SOT89	24V 1W zener
25	MMBD2102	Nat	K	SOT23	Si diode 100V 200mA
25	DTC124ECA	Roh	N	SOT23	npn dtr 50V 100mA 22k + 22k
25	DTC124EKA	Roh	N	SC59	npn dtr 50V 100mA 22k + 22k
25	DTC124EUA	Roh	N	SC70	npn dtr 50V 100mA 22k + 22k
25	EDZ12B	Roh	I	EMD2	150mW zener 12V
25	VDZ12B	Roh	I	VMD2	150mW zener 12V
26	MMBD2103	Nat	D	SOT23	dual MMBD1201
26	DTC144EKA	Roh	N	SC59	npn dtr 50V 30mA 47k + 47k
26	DTC144EUA	Roh	N	SC70	npn dtr 50V 30mA 47k + 47k
27	MMBD2104	Nat	B	SOT23	dual cc MMBD1201
27V	PZM27NB	Phi	C	SOT346	27V 300mW Zener
27Y	BZV49-C27	Phi	O	SOT89	27V 1W zener
28	BFP280T	Tfk	W		npn RF fT 7GHz 8V 10mA
28	MMBD2105	Nat	A	SOT23	dual ca MMBD1201
-28	PDTA114WU	Phi	N	SOT323	pnP dtr
29	MMBD1401	Nat	C	SOT23	Si diode 200V 100mA
29	DTC115EE	Roh	N	EMT3	npn dtr 100k +100k 50V 20mA
29	DTC115EUA	Roh	N	SC70	npn dtr 100k +100k 50V 20mA
29	DTC115EKA	Roh	N	SC59	npn dtr 100k +100k 50V 20mA
200	SSTPAD200	Sil	J		PAD-200 200pA leakage diode
201	PZM20NB1	Phi	C	SOT346	20V 300mW Zener
202	PZM20NB2	Phi	C	SOT346	20V 300mW Zener
203	PZM20NB3	Phi	C	SOT346	20V 300mW Zener
221	PZM22NB1	Phi	C	SOT346	22V 300mW Zener
222	PZM22NB2	Phi	C	SOT346	22V 300mW Zener
223	PZM22NB3	Phi	C	SOT346	22V 300mW Zener
241	PZM24NB	Phi	C	SOT346	24V 300mW Zener
242	PZM24NB	Phi	C	SOT346	24V 300mW Zener
243	PZM20NB	Phi	C	SOT346	24V 300mW Zener
271	PZM2.7NB1	Phi	C	SOT346	2.7V 300mW Zener

272	PZM2.7NB2	Phi	C	SOT346	2.7V 300mW Zener
2A	MMBT3906L	Mot	N	SOT23	2N3906
2A	MMBT3906W	Mot	N	SOT323	2N3906
2A	FMMT3906	Zet	N	SOT23	2N3906
t2A	PMBT3906	Phi	N	SOT23	2N3906
t2A	PMST3906	Phi	N	SOT323	2N3906
p2A	PMBT3906	Phi	N	SOT23	2N3906
p2A	PXT3906	Phi	O	SOT89	2N3906
2A4	PZM2.4NB2A	Phi	A	SOT346	dual 2.4V cc Zener
2A7	PZM2.7NB2A	Phi	A	SOT346	dual 2.7V cc Zener
2B	BC849B	ITT	N	SOT23	BC549B
2Bs	BC849B	Sie	N	SOT23	BC549B
2Bs	BC849BW	Sie	N	SOT323	BC549B
2Bp	BC849B	Phi	N	SOT23	BC549B
2Bt	BC849BW	Phi	N	SOT323	BC549B
2B-	BC849BW	Phi	N	SOT323	BC549B
2B	FMMT2907	Zet	N	SOT23	2N2907
2B	MMBT2907	Mot	N	SOT23	MPS2907
p2B	PMBT2907	Phi	N	SOT23	2N2907
t2B	PMBT2907	Phi	N	SOT23	2N2907
2BR	BC849BR	Phi	R	SOT23R	BC549B
2BZ	FMMT2907	Zet	N	SOT23	2N2907
2C	BC849C	ITT	N	SOT23	BC549C
2Cs	BC849C	Sie	N	SOT23	BC549C
2Cs	BC849CW	Sie	N	SOT323	BC549C
2Cp	BC849C	Phi	N	SOT23	BC549C
2Ct	BC849C	Phi	N	SOT23	BC549C
2Ct	BC849CW	Phi	N	SOT323	BC549C
2C-	BC849CW	Phi	N	SOT323	BC549C
2C	MMBTA70	Mot	N	SOT23	MPSA70
2CR	BC849CR	Phi	R	SOT23R	BC549C
2CZ	FMMTA70	Zet	N	SOT23	MPSA70
2D	MMBTA92	Mot	N	SOT23	MPSA92 pnp Vce 300V
p2D	PMBTA92	Phi	N	SOT23	MPSA92 pnp Vce 300V
p2D	PXTA92	Phi	O	SOT89	MPSA92 pnp Vce 300V

t2D	PMBTA92	Phi	N	SOT23	MPSA92 pnp Vce 300V
t2D	PMSTA92	Phi	N	SOT323	MPSA92 pnp Vce 300V
2E	MMBTA93	Mot	N	SOT23	MPSA93 pnp Vce 200V
2E	FMMT-A93	Zet	N	SOT23	MPSA93
t2E	PMBTA93	Phi	N	SOT23	MPSA93 pnp Vce 200V
t2E	PMSTA93	Phi	N	SOT323	MPSA93 pnp Vce 200V
2F	BC850B	ITT	N	SOT23	BC550B
2Fs	BC850B	Sie	N	SOT23	BC550B
2Fs	BC850BW	Sie	N	SOT323	BC550B
2Fp	BC850B	Phi	N	SOT23	BC550B
2Ft	BC850B	Phi	N	SOT23	BC550B
2Ft	BC850BW	Phi	N	SOT323	BC550B
2F-	BC850BW	Phi	N	SOT323	BC550B
2F	FMMT2907A	Zet	N	SOT23	2N2907A
2F	MMBT2907A	Mot	N	SOT23	MPS2907A
2F	MMBT2907AW	Mot	N	SOT323	MPS2907A
p2F	PMBT2907A	Phi	N	SOT23	2N2907A
p2F	PXT2907A	Phi	O	SOT89	2N2907A
t2F	PMBT2907A	Phi	N	SOT23	2N2907A
t2F	PMBT2907A	Phi	N	SOT323	2N2907A
2FR	BC850BR	Phi	R	SOT23R	BC550B
2G	BC850C	ITT	N	SOT23	BC550C
2Gs	BC850C	Sie	N	SOT23	BC550C
2Gp	BC850C	Phi	N	SOT23	BC550C
2Gt	BC850C	Phi	N	SOT323	BC550C
2Gt	BC850CW	Phi	N	SOT323	BC550C
2G-	BC850CW	Phi	N	SOT323	BC550C
2G	FMMT-A56	Zet	N	SOT23	MPSA56
2G	MMBTA56	Mot	N	SOT23	MPSA56
2G*	ATF52189	Agi	ZF	SOT89	2GHz 4.5V 0.2A PHEMT
p2G	PMBTA56	Phi	N	SOT23	MPSA56
t2G	PMBTA56	Phi	N	SOT23	MPSA56
t2G	PMSTA56	Phi	N	SOT323	MPSA56
2GM	MMBTA56	Mot	N	SOT23	MPSA56
2GR	BC850CR	Phi	R	SOT23R	BC550C

2GT	SOA56	SGS	N	SOT23	MPSA56
2H	FMMT-A55	Zet	N	SOT23	MPSA55
2HT	SOA55	SGS	N	SOT23	MPSA55
2H	MMBTA55	Mot	N	SOT23	MPSA55
t2H	PMBTA55	Phi	N	SOT23	MPSA55
t2H	PMSTA55	Phi	N	SOT323	MPSA55
2J	MMBT3640	Mot	N	SOT23	MPS3640 pnp sw
2K	FMMT4402	Zet	N	SOT23	2N4402
2K	MMBT8598	Mot	N		2N4125 pnp 60V
2Kp	BAT754	Phi	C	SOT23	30V 200mA schottky
2Kt	BAT754	Phi	C	SOT23	30V 200mA schottky
2KW	BAT754	Phi	C	SOT23	30V 200mA schottky
2L	MMBT5401	Mot	N	SOT23	2N5401 pnp 150V
2L	FMMT4403	Zet	N	SOT23	2N4403
p2L	PMBT5401	Phi	N	SOT23	2N5401 pnp 150V
t2L	PMBT5401	Phi	N	SOT23	2N5401 pnp 150V
t2L	PMST5401	Phi	N	SOT323	2N5401 pnp 150V
2Lp	BAT754A	Phi	A	SOT23	30V 200mA dual schottky ca
2Lt	BAT754A	Phi	A	SOT23	30V 200mA dual schottky ca
2LW	BAT754A	Phi	A	SOT23	30V 200mA dual schottky ca
2M	FMMT5087	Zet	N	SOT23	2N5087
2M	MMBT404	Mot	N	SOT23	pnp-chopper 24V 150mA
2Mp	BAT754C	Phi	B	SOT23	30V 200mA dual schottky cc
2Mt	BAT754C	Phi	B	SOT23	30V 200mA dual schottky cc
2MW	BAT754C	Phi	B	SOT23	30V 200mA dual schottky cc
2N	MMBT404A	Mot	N	SOT23	pnp-chopper 35V 150mA
2Np	BAT754S	Phi	D	SOT23	30V 200mA dual schottky series
2Nt	BAT754S	Phi	D	SOT23	30V 200mA dual schottky series
2NW	BAT754S	Phi	D	SOT23	30V 200mA dual schottky series
2N0	ZXT11N20DF	Zet	N	SOT23	npn 20V 2.5A low sat switch
2P	FMMT2222R	Zet	R	SOT23R	2N2222
2P	MMBT5086	Mot	N	SOT23	2N5086
2P	CMDZ20L	CSC	I	SOD323	zener 250mW Iz 0.5mA 20V
2Q	MMBT5087	Mot	N	SOT23	2N5087
2R	HSMS-8102	HP	Z	SOT23	10-14GHz schottky mixer pair

2T	SO4403	SGS	N	SOT23	2N4403
2T	MMBT4403	Mot	N	SOT23	2N4403
p2T	PMBT4403	Phi	N	SOT23	2N4403
p2T	PXT4403	Phi	O	SOT89	2N4403
t2T	PMBT4403	Phi	N	SOT23	2N4403
t2T	PMST4403	Phi	N	SOT323	2N4403
2T	HT2	Zet	N	SOT23	pnp 80V 100mA
2U	MMBTA63	Mot	N	SOT23	MPSA63 darlington
t2U	PMBTA63	Phi	N	SOT23	MPSA63 darlington
2V	MMBTA64	Mot	N	SOT23	MPSA64 darlington
p2V	PXTA64	Phi	O	SOT89	MPSA64 darlington
t2V	PMBTA64	Phi	H	SOT23	MPSA64 darlington
2V4	PZM2.4NB	Phi	C	SOT346	2.4V 300mW Zener
2V7	PZM2.7NB	Phi	C	SOT346	2.7V 300mW Zener
2W	FMMT3905	Zet	N	SOT23	2N3905
2W	MMBT8599	Mot	N		2N4125 Vce 80V pnp
2X	SO4401	SGS	N	SOT23	2N4401
2X	MMBT4401	Mot	N	SOT23	2N4401
p2X	PMBT4401	Phi	N	SOT23	2N4401
p2X	PxT4401	Phi	O	SOT89	2N4401
t2X	PMBT4401	Phi	N	SOT23	2N4401
t2X	PMST4401	Phi	N	SOT323	2N4401
2Y4	BZV49-C2V4	Phi	O	SOT89	2.4V 1W zener
2Y7	BZV49-C2V7	Phi	O	SOT89	2.7V 1W zener
2Z	MMBT6520	Mot	N	SOT23	2N6520 pnp Vce 350V
2Z	BAS70-04	Zet	D	SOT23	dual series RF schottky 70V 15mA
2Z5	BAS70-05	Zet	B	SOT23	dual cc RF Schottky 70V 15mA

Last Updated on 01/06/2006

By GM4PMK

GM4PMK's SMD Codebook

Codes beginning with '3'

Code	Device	Manf	Base	Package	Leaded Equivalent/Data
3 (white)	BAT60A	Sie	I	SOD323	10V 3A sw schottky
3	BAT62-02W	Sie	I	SCD80	
30	MUN5330DW1	Mot	DP	SOT363	npn/pnp dtr 1k0+1k0
30V	PZM30NB1	Phi	C	SOT346	30V 300mW zener
30Y	BZV49-C30	Phi	O	SOT89	30V 1W zener
301	FDV301N	Fch	M	SOT23	n-ch 'digital' fet 25V 0.22A
302	FDV302P	Fch	M	SOT23	p-ch 'digital' fet 25V 0.13A
303	FDV303N	Fch	M	SOT23	n-ch 'digital' fet 25V 0.68A
304	FDV304P	Fch	M	SOT23	p-ch 'digital' fet 25V 0.46A
31	MUN5331DW1	Mot	DP	SOT363	npn/pnp dtr 2k2+2k2
31	MMBD1402	Nat	K	SOT23	Si diode 200V 100mA
p31	PDTA143XT	Phi	N	SOT23	pnp dtr 4k7+10k
t31	PDTA143XT	Phi	N	SOT23	pnp dtr 4k7+10k
32	MUN5332DW1	Mot	DP	SOT363	npn/pnp dtr 4k7+4k7
32	MMBD1403	Nat	D	SOT23	dual Si diode 200V 100mA
32	BAT32	Sie	CS		18GHz zero-bias schottky
32	GDZ2.7B	Vis	I	SOD323	zener 200mW 2.7V
p32	PDTC143XT	Phi	N	SOT23	pnp dtr 4k7+10k
t32	PDTC143XT	Phi	N	SOT23	pnp dtr 4k7+10ks
33	MUN5333DW1	Mot	DP	SOT363	npn/pnp dtr 4k7+47k
33	DTA143XE	Roh	N	EMT3	pnp dtr 4k7+10k 50V 100mA
33	DTA143XUA	Roh	N	SC70	pnp sw 4k7+10k bias res 50V 100mA
33	DTA143XKA	Roh	N	SC59	pnp sw 4k7+10k bias res 50V 100mA
33	MMBD1404	Nat	B	SOT23	dual cc Si diode 200V 100mA
33	Gali-33	MC	AZ	SOT89	DC-4GHz MMIC amp 19dB gain
33V	PZM33NB1	Phi	C	SOT346	33 300mW zener
33Y	BZV49-C33	Phi	O	SOT89	33V 1W zener
34	MUN5334DW1	Mot	DP	SOT363	npn/pnp dtr 22k+47k

34	MMBD1405	Nat	A	SOT23	dual ca Si diode 200V 100mA
331	NDS331N	Fch	M	SOT23	n-ch mosfet 1.3A 20V
331	PZM3.3NB1	Phi	C	SOT346	3.3V 300mW zener
332	PZM3.3NB2	Phi	C	SOT346	3.3V 300mW zener
332	NDS332N	Fch	M	SOT23	p-ch mosfet 0.4A, 1A pk, 20V
335	NDS335N	Fch	M	SOT23	n-ch mosfet 70 mA, 1.7A pk, 20V
336	NDS336N	Fch	M	SOT23	p-ch mosfet 0.27A, 1.2A pk, 20V
337	NDS337N	Fch	M	SOT23	n-ch mosfet 50 mA, 2.5A pk 20V
338	NDS338N	Fch	M	SOT23	p-ch mosfet 0.13A, 1.6Apk 20V
34	2SC5007	Nec	N		npn RF fT 7GHz @3V 7mA
340	FDV340P	Fch	M	SOT23	p-ch mosfet 20V 70 mA
35	MUN5335DW1	Mot	DP	SOT363	npn/pnp dtr 2k2+47k
35	RB050LA-40	Roh	I	PMDT	schottky diode 3A 40V
35	DTA124XE	Roh	N	EMT3	pnp dtr 22k+47k 50V 50mA
35	DTA124XUA	Roh	N	SC70	pnp dtr 22k+47k 50V 50mA
35	DTA124XKA	Roh	N	SC59	pnp dtr 22k+47k 50V 50mA
35	EDZ13B	Roh	I	EMD2	150mW zener 13V
35	VDZ13B	Roh	I	VMD2	150mW zener 13V
351	NDS351N	Fch	M	SOT23	n-ch mosfet 1.1A 30V
352	NDS352N	Fch	M	SOT23	p-ch mosfet 0.5A 20V
355	NDS355N	Fch	M	SOT23	n-ch mosfet 0.1A, 1.6A pk 30V
356	NDS356N	Fch	M	SOT23	p-ch mosfet 0.3A, 1.1A pk 20V
357	NDS357N	Fch	M	SOT23	n-ch mosfet 2.5Apk 30V
358	NDS358N	Fch	M	SOT23	p-ch mosfet 0.2A, 1.6A pk 30V
358	FDN358N	Fch	M	SOT23	p-ch mosfet 0.2A 1.6A pk 30V
360	FDN360P	Fch	M	SOT23	p-ch mosfet 80mA, 2a PK, 30V
361	PZM3.6NB1	Phi	C	SOT346	3.6V 300mW Zener
362	PZM3.3NB2	Phi	C	SOT346	3.6V 300mW Zener
36V	PZM36NB1	Phi	C	SOT346	36V 300mW Zener
36Y	BZV49-C36	Phi	O	SOT89	36V 1W zener
391	PZM3.9NB1	Phi	C	SOT346	3.9V 300mW Zener
392	PZM3.9NB2	Phi	C	SOT346	3.9V 300mW Zener
39V	PZM39NB1	Phi	C	SOT346	39V 300mW Zener
39Y	BZV49-C39	Phi	O	SOT89	39V 1W zener
3A	BC856A	ITT	N	SOT23	BC556A

3A	BC856AT	Phi	N	SOT416	BC556A
3Ap	BC856A	Phi	N	SOT23	BC556A
3At	BC856A	Phi	N	SOT23	BC556A
3As	BC856A	Sie	N	SOT23	BC556A
3At	BC856AW	Phi	N	SOT323	BC556A
3A-	BC856AW	Phi	N	SOT323	BC556A
3A	MMBTH24	Mot	N	SOT23	VHF mixer npn fT 600MHz
3A0	PZM3.0NB2A	Phi	C	SOT346	dual 3.0V Zener
3A3	PZM3.3NB2A	Phi	C	SOT346	dual 3.3V Zener
3A6	PZM3.6NB2A	Phi	C	SOT346	dual 3.6V Zener
3A9	PZM3.9NB2A	Phi	C	SOT346	dual 3.9V Zener
3AR	BC856AR	Phi	R	SOT23R	BC556A
3B	BC856B	ITT	N	SOT23	BC556B
3B	BC856BT	Phi	N	SOT416	BC556B
3Bp	BC856B	Phi	N	SOT23	BC556B
3Bs	BC856B	Sie	N	SOT23	BC556B
3Bt	BC856B	Phi	N	SOT23	BC556B
3Bt	BC856BW	Phi	N	SOT323	BC556B
3B-	BC856BW	Phi	N	SOT323	BC556B
3B	FMMT918	Zet	N	SOT23	2N918
3B	MMBT918	Mot	N	SOT23	2N918
3BR	BC856BR	Phi	R	SOT23	BC556B
3C	FMMTA20R	Zet	R	SOT23R	MPSA20
3C	BC857	Sie	DO		pnnp separate pair gp AF
3D	BC856	Phi	N	SOT23	BC556 hfe 75 min
3Dp	BC856	Phi	N	SOT23	BC556 hfe 75 min
3Dt	BC856	Phi	N	SOT23	BC556 hfe 75 min
3Dt	BC856W	Phi	N	SOT323	BC556 hfe 75 min
3D-	BC856W	Phi	N	SOT323	BC556 hfe 75 min
3D	MMBTH81L	Mot	N	SOT23	UHF pnp fT 600MHz
3D	BC856S	Sie	DO		pnnp separate pair gp AF
3E	BC857A	Phi	N	SOT23	BC557A
3E	BC857AT	Phi	N	SOT416	BC557A
3Ep	BC857A	Phi	N	SOT23	BC557A
3Et	BC857A	Phi	N	SOT23	BC557A

3Et	BC857A	Phi	N	SOT323	BC557A
3E-	BC857A	Phi	N	SOT323	BC557A
3E	MMBTH10	Mot	N	SOT23	MPSH10 fT 650MHz
3E	FMMT-A42	Zet	N	SOT23	MPSA42
3EM	MMBTH10L	Mot	N	SOT23	VHF amp 650MHz fT
3ER	BC857AR	Phi	R	SOT23R	BC557A
3EZ	FMMTH10	Zet	N	SOT23	nnp fT 650MHz
3F	BC857B	Phi	N	SOT23	BC557B
3F	BC857BT	Phi	N	SOT416	BC557B
3Fp	BC857B	Phi	N	SOT23	BC557B
3Fs	BC857B	Sie	N	SOT23	BC557B
3Ft	BC857B	Phi	N	SOT23	BC557B
3Ft	BC857BW	Phi	N	SOT323	BC557B
3Ft	BC857BS	Phi	N	SOT363	BC557B
3F-	BC857BW	Phi	N	SOT323	BC557B
3FR	BC857BR	Phi	R	SOT23R	BC557B
3G	BC857C	Phi	N	SOT23	BC557C
3Gp	BC857C	Phi	N	SOT23	BC557C
3G	BC857C	Phi	N	SOT23	BC557C
3Gs	BC857C	Sie	N	SOT23	BC557C
3Gt	BC857C	Phi	N	SOT23	BC557C
3Gt	BC857CW	Phi	N	SOT323	BC557C
3G-	BC857CW	Phi	N	SOT323	BC557C
3G	MMBTH11	NS	N	SOT23	
3G	BC857CT	Dio	N	SOT523	BC557C
3G	MGSF3454X	Mot	DK	TSOP6	n-ch enh tmosfet 1.75A
3GR	BC857CR	Phi	R	SOT23R	BC557CR
3Hp	BC857C	Phi	N	SOT23	BC557
3Ht	BC857C	Phi	N	SOT23	BC557
3Ht	BC857CW	Phi	N	SOT323	BC557
3H	MMBTH30	NS	N	SOT23	
3H-	BC857CW	Phi	N	SOT323	BC557
3J	MMBTH69	Mot	N	SOT23	pnp UHF fT 2GHz
3J	BC858A	Phi	N	SOT23	BC558A
3Js	BC858A	Sie	N	SOT23	BC558A

3JR	BC858AR	Phi	R	SOT23R	BC558A
3Js	BCV62A	Sie	VQ	SOT143	pnnp current mirror hFe 180
3Jp	BCV62A	Phi	VQ	SOT143	pnnp current mirror hFe 180
3K	BC858B	Phi	N	SOT23	BC558B
3Ks	BCV62B	Sie	VQ	SOT143	npn current mirror hFe 290
3Kp	BCV62B	Phi	VQ	SOT143	npn current mirror hFe 290
3KR	BC858BR	Phi	R	SOT23R	BC558B
3L	BC858C	Phi	N	SOT23	BC558C
3LR	BC858CR	Phi	R	SOT23R	BC558C
3Ls	BCV62C	Sie	VQ	SOT143	pnnp current mirror hFe 520
3Lp	BCV62C	Phi	VQ	SOT143	pnnp current mirror hFe 520
3M	BC858	Phi	N	SOT23	BC558
3M	FMMT5087R	Zet	R	SOT23R	2N5087 BC322
3Ms	BCV62	Sie	VQ	SOT143	pnnp current mirror
3Mp	BCV62	Phi	VQ	SOT143	pnnp current mirror
3N	MMBT4402	Nat	N	SOT23	2N4402 pnp
3P	FMT2222AR	Zet	R	SOT23R	2N2222A
3P	CMDZ22L	CSC	I	SOD323	zener 250mW Iz 0.5mA 22V
3R	MMBT5571	Nat	N	SOT23	pnnp sw 850MHz
3S	MMBT5551	Nat	N	SOT23	npn 160V
3T	HT3	Zet	N	SOT23	npn 80V 100mA
3V	BC857AT	Dio	N	SOT523	BC557A
3V0	PZM3.0NB	Phi	C	SOT346	3.0V 300mW Zener
3V3	PZM3.3NB	Phi	C	SOT346	3.3V 300mW Zener
3V6	PZM3.6NB	Phi	C	SOT346	3.6V 300mW Zener
3V9	PZM3.9NB	Phi	C	SOT346	3.9V 300mW Zener
3W	FMMT-A12	Zet	N		MPSA12
3W	BC857BT	Dio	N	SOT523	BC557B
3Y3	BZV49-C3V3	Phi	O	SOT89	3.3V 1W zener
3Y6	BZV49-C3V6	Phi	O	SOT89	3.6V 1W zener
3Y9	BZV49-C3V9	Phi	O	SOT89	3.9V 1W zener

Last Updated on 01/06/2006

By GM4PMK

GM4PMK's SMD Codebook

Codes beginning with '4'

Code	Device	Manf	Base	Package	Leaded Equivalent/Data
4 (white)	BAS140W	Sie	I	SOD323	40V 120mA sw schottky
4 (yellow)	BB644	Sie	I	SOD323	Varicap 42-2.5pF
4(red)	BB57-03W	Sie	I	SOD323	Varicap
4	BB664	Sie	I	SCD80	Varicap 42-2.5pF
4	BB679-02V	Inf	I	SC79	varicap wide range 47pF 28V
40	ZLLS400	Zet	C	SOT23	schottky 40V 1A
41	BAT14-115S	Sie	CS	SOT173	40GHz schottky diode
41	BAT14-115R	Sie	CZ	SOT173	40GHz schottky ring quad
41A	FMMT491A	Zet	N	SOT23	npn 40v 1A max
41D	BAT14-115D	Sie	CY	SOT173	40GHz schottky dual
42	BAT14-025S	Sie	CS	SOT173	4GHz schottky diode
42	BAT14-025R	Sie	CZ	SOT173	4GHz schottky ring quad
42	GDZ3.0B	Vis	I	SOD323	zener 200mW 3.0V
42	BAT54AW	Phi	A	SOT323	dual ca BAT85 schottky 30V 0.2A
42D	BAT14-025D	Sie	CY	SOT173	4GHz schottky dual
43	BAS40	Sie	C	SOT23	schottky diode 40V 100mA
43	DTA143EE	Mot	N	SOT416	pnp dtr 4k7 + 4k7
43	DTC143XE	Roh	N	EMT3	npn dtr 4k7+10k 50V 100mA
43	DTC143XUA	Roh	N	SC70	npn dtr 4k7+10k 50V 100mA
43	DTC143XKA	Roh	N	SC59	npn dtr 4k7+10k 50V 100mA
43	BAT54CW	Phi	B	SOT323	dual cc BAT85 schottky 30V 0.2A
43V	PZM43NB	Phi	C	SOT346	43V 0.3W zener
43Y	BZV49-C43	Phi	O	SOT89	43V 1W zener
44	BAS40-04	Sie	D	SOT23	dual series BAS40
44	BAS40-04W	Sie	D	SOT323	dual series BAS40
44	2SC5009	Nec	N		npn RF fT 12GHz @3V 5mA
44	BAT54SW	Phi	D	SOT323	dual seires BAT85 schottky 30V 0.2A

45	BAS40-05	Sie	A	SOT23	dual ca BAS40
45	BAS40-05W	Sie	A	SOT323	dual ca BAS40
45	BAT14-055S	Sie	CS	SOT173	8GHz schottky diode
45	BAT14-055R	Sie	CZ	SOT173	8GHz schottky ring quad
45	DTC124XE	Roh	N	EMT3	npn dtr 22k+47k 50V 50mA
45	DTC124XUA	Roh	N	SC70	npn dtr 22k+47k 50V 50mA
45	DTC124XKA	Roh	N	SC59	npn dtr 22k+47k 50V 50mA
45	EDZ15B	Roh	I	EMD2	150mW zener 15V
45	VDZ15B	Roh	I	VMD2	150mW zener 15V
45D	BAT14-055D	Sie	CY	SOT173	8GHz schottky dual
46	BAS40-06	Sie	B	SOT23	dual cc BAS40
46	BAS40-06W	Sie	B	SOT323	dual cc BAS40
46	MBT3946DW	Mot	DP		2N3904/2N3906 pair
47	BAS40-07	Sie	S	SOT143	dual BAS40
47	BAS40-07W	Sie	S	SOT343	dual BAS40
47V	PZM47NB	Phi	C	SOT346	47V 0.3W zener
47Y	BZV49-C47	Phi	O	SOT89	47V 1W zener
49	BAT14-095S	Sie	CS	SOT173	18GHz shottky diode
49	BAT14-095R	Sie	CZ	SOT173	18GHz schottky ring quad
49D	BAT14-095D	Sie	CY	SOT173	18GHz schottky dual
49R	S849TR	Vis	UQ	SOT143R	MOSIC: biased n-ch dg uhf mosfet for TV 12V
413	FMMT413	Zet	N	SOT23	npn avalanche 150v 0.1A
415	FMMT415	Zet	N	SOT23	npn avalanche 260v 0.1A
417	FMMT417	Zet	N	SOT23	npn avalanche 320v 0.1A
431	PZM4.3NB1	Phi	C	SOT346	4.3V 0.3W zener
432	PZM4.3NB2	Phi	C	SOT346	4.3V 0.3W zener
433	PZM4.3NB3	Phi	C	SOT346	4.3V 0.3W zener
449	FMMT449	Zet	N	SOT23	npn 50V 1A low Vce sat
451	FMMT451	Zet	N	SOT23	npn 60V 1A
455	FMMT455	Zet	N	SOT23	NPN 140V 1A
458	FMMT458	Zet	N	SOT23	npn 400V 0.4A
471	PZM4.7NB1	Phi	C	SOT346	4.7V 0.3W zener
472	PZM4.7NB2	Phi	C	SOT346	4.7V 0.3W zener
473	PZM4.7NB3	Phi	C	SOT346	4.7V 0.3W zener
491	FMMT491	Zet	N	SOT23	ZTX 450/451

493	FMMT493	Zet	N	SOT23	ZTX 453
494	FMMT494	Zet	N	SOT23	npn 120V 1A
495	FMMT495	Zet	N	SOT23	npn 170V 1A
497	FMMT497	Zet	N	SOT23	npn 300V 0.5A
4A	MMBV109	Mot	C	SOT23	MV209 varicap
4A	FMMV109	Zet	C	SOT23	MV209 varicap
4A	HD3A	Zet	C		75V 100mA sw diode
4A	BC859A	ITT	N	SOT23	BC559A
4Ap	BC859A	Phi	N	SOT23	BC559A
4As	BC859AW	Sie	N	SOT323	BC559A
4As	BC859A	Sie	N	SOT23	BC559A
4A3	PZM4.3NB2A	Phi	A	SOT346	dual ca 4.3V Zener
4A7	PZM4.7NB2A	Phi	A	SOT346	dual ca 4.7V Zener
4AR	BC859AR	Phi	R	SOT23R	BC559A
4B	MMBV432	Mot	B		dual cc varicap 1.5-45pF
4B	BC859B	ITT	N	SOT23	BC559B
4Bs	BC859B	Sie	N	SOT23	BC559B
4Bs	BC859BW	Sie	N	SOT323	BC559B
4Bp	BC859B	Phi	N	SOT23	BC559B
4Bt	BC859B	Phi	N	SOT23	BC559B
4Bt	BC859BW	Phi	N	SOT323	BC559B
4B-	BC859BW	Phi	N	SOT323	BC559B
4BR	BC859BR	Phi	R	SOT23R	BC559B
4C	BC859C	ITT	N	SOT23	BC559C
4Cs	BC859C	Sie	N	SOT23	BC559C
4Cs	BC859CW	Sie	N	SOT323	BC559C
4Cp	BC859C	Phi	N	SOT23	BC559C
4Ct	BC859C	Phi	N	SOT23	BC559C
4Ct	BC859CW	Phi	N	SOT323	BC559C
4C-	BC859CW	Phi	N	SOT323	BC559C
4C	MMVB3102	Mot	C	SOT23	varicap 6-35pF
4C	BC859C	Phi	N	SOT23	BC559C
4CR	BC859CR	Phi	R	SOT23R	BC559C
4D	BC859B	Phi	N	SOT23	BC559B
4Dt	BC859W	Phi	N	SOT323	BC559B

4D-	BC859W	Phi	N	SOT323	BC559B
4D	MMBV3401	Mot	C	SOT23	VHF pin diode
4D	HD3A	Zet	C	SOT23	sw diode 75V 100mA
4E	BC860A	Phi	N	SOT23	BC560A
4E	FMMT-A92	Zet	N	SOT23	MPSA92
4E	MMBV105G	Mot	C	SOT23	MV105 varicap
4ER	BC860AR	Phi	R	SOT23R	BC560A
4F	MMBD353	Mot	Z	SOT23	dual MBD101
4F	BC860B	Phi	N	SOT23	BC560B
4F	Gali-4F	MC	AZ	SOT89	DC-4GHz MMIC amp 15 dBm o/p
4Fs	BC860B	Sie	N	SOT23	BC560B
4Fs	BC860BW	Sie	N	SOT323	BC560B
4Fp	BC860B	Phi	N	SOT23	BC560B
4Ft	BC860B	Phi	N	SOT23	BC560B
4Ft	BC860BW	Phi	N	SOT323	BC560B
4F-	BC860BW	Phi	N	SOT323	BC560B
4FR	BC860BR	Phi	R	SOT23	BC560B
4G	MMBV2101	Mot	C	SOT23	MV2101 varicap
4G	BC860C	Phi	N	SOT23	BC560C
4Gs	BC860C	Sie	N	SOT23	BC560C
4Gs	BC860CW	Sie	N	SOT323	BC560C
4Gp	BC860C	Phi	N	SOT23	BC560C
4Gt	BC860C	Phi	N	SOT23	BC560C
4Gt	BC860CW	Phi	N	SOT323	BC560C
4G-	BC860CW	Phi	N	SOT323	BC560C
4GR	BC860CR	Phi	R	SOT23	BC560CR
4H	MMBV2103	Mot	C	SOT23	MV2103 varicap
4Hp	BC860	Phi	N	SOT23	BC560
4Ht	BC860W	Phi	N	SOT323	BC560
4H-	BC860W	Phi	N	SOT323	BC560
4J	FMMT38A	Zet	N	SOT23	BCX38A
4J	MMBV2109	Mot	C	SOT23	MV2109 varicap
4K	BAP64-04	Phi	D		dual series 3GHz pin diode
4K	MMSB3000	Mot	I	SOD123	Si diode 30V 0.2A
4L	BAP50-04	Phi	D		dual series GP RF pin diode

4M	MMBD101	Mot	C	SOT23	MBD101 schottky diode
4Ms	BAT240A	Sie	EQ	SOT143	dual schottky 250V 0.4A
4P	CMDZ24L	CSC	I	SOD323	zener 250mW Iz 0.5mA 24V
4R	MMBV3700	Mot	C	SOT23	200V vhf pin diode
4S	MMBD201	Mot	C	SOT23	MBD201
4T	MMBD301	Mot	C	SOT23	MBD301 UHF schottky diode
4U	MMBV2105	Mot	C	SOT23	MV2105 varicap
4V	MMBV2106	Mot	C	SOT23	MV2106 varicap
4V	BCW65AR	Zet	R	SOT23R	npn 32V 0.8A
4V3	PZM4.3NB	Phi	C	SOT346	4.3V 0.3W zener
4V7	PZM4.7NB	Phi	C	SOT346	4.7V 0.3W zener
4W	MMBV2107	Mot	C	SOT23	MV2107 varicap
4W	BCW67AR	Zet	R	SOT23R	pnv 32V 0.8A
4Y	MMBV2102	Mot	C	SOT23	MV2102 varicap
4Y3	BZV49-C4V3	Phi	O	SOT89	4.3V 1W zener
4Y7	BZV49-C4V7	Phi	O	SOT89	4.7V 1W zener
4X	MMBV2108	Mot	C	SOT23	MV2108 varicap
4Z	MMBV2104	Mot	C	SOT23	MV2104 varicap

Last Updated on 01/06/2006

GM4PMK's SMD Codebook

Codes beginning with '5'

Code	Device	Manf	Base	Package	Leaded Equivalent/Data
5 (white)	BAT60B	Sie	I		10V 3A sw Schottky
5 (red)	BBY57-03W	Sie	I	SOD323	varicap
500	SSTPAD500	Sil	J		PAD-500 500pA leakage diode
51	BAT15-115S	Sie	CS	SOT173	40GHz schottky diode
51	BAT15-115R	Sie	CZ	SOT173	40GHz schottky ring quad
51D	BAT15-115D	Sie	CY	SOT173	40GHz schottky dual
51V	PZM51NB	Phi	C	SOT346	51V 0.3W zener
51Y	BZV49-C51	Phi	O	SOT89	51V 1W zener
52	BAT15-025S	Sie	CS	SOT173	4GHz schottky diode
52	BAT15-025R	Sie	CZ	SOT173	4GHz schottky ring quad
52	Gali-52	MC	AZ	SOT89	DC-2GHz MMIC amp 23 dB gain
52	BAS52-02V	Inf	I	SC79	Schottky diode 45V 750mA
52	DTA123YE	Roh	N	EMT3	pnp dtr 2k2 +10k 50V 100mA
52	DTA123YUA	Roh	N	SC70	pnp dtr 2k2 +10k 50V 100mA
52	DTA123YKA	Roh	N	SC59	pnp dtr 2k2 +10k 50V 100mA
52	GDZ3.3B	Vis	I	SOD323	zener 200mW 3.3V
52D	BAT15-025D	Sie	CY	SOT173	4GHz schottky dual
53	CDZ4.7B	Roh	I	VMN2	zener 4.7V 0.15W
53s	BAT17	Sie	C	SOT23	schottky diode 4V 100mA
53R	S503TR	Vis	UQ	SOT143R	dg mosfet MOSIC 5V uhf tv tuners
54	DTA114YE	Roh	N	EMT3	pnp dtr 10k + 47k 50V 100mA
54	DTA114YUA	Roh	N	SC70	pnp dtr 10k + 47k 50V 100mA
54	DTA114YKA	Roh	N	SC59	pnp dtr 10k + 47k 50V 100mA
54	RSX201L-30	Roh	I	PMDS	schottky diode 2A 30V
54s	BAT17-04	Sie	D	SOT23	dual series BAT17
54s	BAT17-04W	Sie	D	SOT323	dual series BAT17

54R	S504TR	Vis	UQ	SOT143R	dg mosfet MOSIC 5V uhf tv tuners
55	BAT15-055S	Sie	CS	SOT173	8GHz schottky diode
55	BAT15-055R	Sie	CZ	SOT173	8GHz schottky ring quad
55	Gali-55	MC	AZ	SOT89	DC-4GHz MMIC amp 21 dB gain
55	EDZ16B	Roh	I	EMD2	150mW zener 16V
55	VDZ16B	Roh	I	VMD2	150mW zener 16V
55	CDZ5.1B	Roh	I	VMN2	zener 5.1V 0.15W
55D	BAT15-055D	Sie	CY	SOT173	8GHz schottky dual
55R	S505TR	Vis	UQ	SOT143R	dg mosfet MOSIC 5V uhf tv tuners
55s	BAT17-05	Sie	A	SOT23	dual ca BAT17
55s	BAT17-05W	Sie	A	SOT323	dual ca BAT17
56	RSX301L-30	Roh	I	PMDS	schottky diode 3A 30V
56	RSX301LA-30	Roh	I	PMDT	schottky diode 3A 30V
56s	BAT17-06	Sie	B	SOT23	dual cc BAT17
56s	BAT17-06W	Sie	B	SOT323	dual cc BAT17
56V	PZM56NB	Phi	C	SOT346	56V 0.3W zener
56Y	BZV49-C56	Phi	O	SOT89	56V 1W zener
57s	BAT17-07	Sie	S	SOT143	dual BAT17
57	BFQ57	Sie	CX	SOT173	npn 6.5GHz 16V/35mA
57	RSX501L-20	Roh	I	PMDS	schottky diode 5A 20V
57	CDZ5.6B	Roh	I	VMN2	zener 5.6V 0.15W
58	BFQ58	Sie	CX	SOT173	npn 6.5GHz 16V/30mA
59	BAT15-095S	Sie	CS	SOT173	18GHz schottky diode
59	BAT15-095R	Sie	CZ	SOT173	18GHz schottky ring quad
59D	BAT15-095D	Sie	CY	SOT173	18GHz schottky dual
503	S503T	Vis	W	SOT143	biased dg mosfet MOSIC 5V uhf tv tuners
504	S504T	Vis	W	SOT143	biased dg mosfet MOSIC 5V uhf tv tuners
505	S505T	Vis	W	SOT143	biased dg mosfet MOSIC 5V uhf tv tuners
511	PZM5.1NB1	Phi	C	SOT346	5.1V 0.3W zener
512	PZM5.1NB2	Phi	C	SOT346	5.1V 0.3W zener

513	PZM5.1NB3	Phi	C	SOT346	5.1V 0.3W zener
561	PZM5.1NB1	Phi	C	SOT346	5.6V 0.3W zener
562	PZM5.1NB2	Phi	C	SOT346	5.6V 0.3W zener
563	PZM5.1NB3	Phi	C	SOT346	5.6V 0.3W zener
558	FMMT558	Zet	N	SOT23	pnp 400V 0.15A
589	FMMT589	Zet	N	SOT23	pnp 30V 1A
591	FMMT591	Zet	N	SOT23	ZTX550/551
593	FMMT593	Zet	N	SOT23	ZTX 553 pnp 100V 1A
593	S593T	Vis	W	SOT143	biased dg mosfet MOSIC 5V uhf tv tuners
594	S594T	Vis	W	SOT143	biased dg mosfet MOSIC 5V uhf tv tuners
595	S595T	Vis	W	SOT143	biased dg mosfet MOSIC 5V uhf tv tuners
596	FMMT596	Zet	N	SOT23	pnp 200V 0.3A
5A	BC807-16	Phi	N	SOT23	BC327-16
5As	BC807-16	Sie	N	SOT23	BC327-16
5As	BC807-16W	Sie	N	SOT323	BC327-16
5Ap	BC807-16	Phi	N	SOT23	BC327-16
5At	BC807-16	Phi	N	SOT23	BC327-16
5At	BC807-16W	Phi	N	SOT323	BC327-16
5A-	BC807-16W	Phi	N	SOT323	BC327-16
5A	BSS123	Mot	M	SOT23	n-ch tmosfet Vds 100V
5A	MMBD6050	Mot	C	SOT23	sw diode 70V 0.2A
5A	FMMD6050	Zet	C	SOT23	sw diode 70V 100mA
5A1	PZM5.1NB2A	Phi	A	SOT346	dual ca 5.1V 0.3W zener
5A6	PZM5.6NB2A	Phi	A	SOT346	dual ca 5.6V 0.3W zener
5AR	BC807-16R	Phi	R	SOT23R	BC327-16
5B	MMBT4123	Mot	N	SOT23	2N4123
5B	BC807-25	SGS	N	SOT23	BC327-25
5Bs	BC807-25	Sie	N	SOT23	BC327-25
5Bs	BC807-25W	Sie	N	SOT323	BC327-25
5Bs	BC807-25U	Sie	N	SC74	BC327-25
5Bp	BC807-25	Phi	N	SOT23	BC327-25
5Bt	BC807-25	Phi	N	SOT23	BC327-25

5Bt	BC807-25W	Phi	N	SOT323	BC327-25
5B-	BC807-25W	Phi	N	SOT323	BC327-25
5B	MMBD6100	Mot	B	SOT23	cc dual diode 70V 0.2A
5B	FMMD6100	Zet	B	SOT23	cc dual diode 70V 0.2A
5BM	MMBD6100	Mot	B	SOT23	cc dual diode 70V 0.2A
5BR	BC807-25R	Phi	R	SOT23R	BC327-25
5C	BC807-40	SGS	N	SOT23	BC327-40
5C	CDZ6.2B	Roh	I	VMN2	zener 6.2V 0.15W
5Cs	BC807-40	Sie	N	SOT23	BC327-40
5Cs	BC807-40W	Sie	N	SOT323	BC327-40
5Cp	BC807-40	Phi	N	SOT23	BC327-40
5Ct	BC807-40	Phi	N	SOT23	BC327-40
5Ct	BC807-40W	Phi	N	SOT323	BC327-40
5C-	BC807-40W	Phi	N	SOT323	BC327-40
5C	MMBD7000	Mot	D	SOT23	2 ser diodes 100V 0.2A
5C	FMMD7000	Zet	D	SOT23	2 ser diodes 70V 200mA
5CR	BC807-40R	Phi	R	SOT23E	BC327-40
5D	FMMD914	Zet	C	SOT23	1N914
5D	MMBD914	Mot	C	SOT23	1N914
5D	MMSD914	Mot	I	SOD123	1N914
5D	HD2A	Zet	B		dual cc HD2 75V 100mA
5Dp	BC807	Phi	N	SOT23	BC327
5Dt	BC807	Phi	N	SOT23	BC327
5Dt	BC807W	Phi	N	SOT323	BC327
5D-	BC807W	Phi	N	SOT323	BC327
5E	BC808-16	Phi	N	SOT23	BC328-16
5E	CDZ6.8B	Roh	I	VMN2	zener 6.8V 0.15W
5Es	BC808-16	Sie	N	SOT23	BC328-16
5Es	BC808-16W	Sie	N	SOT323	BC328-16
5E	FMMT-A43R	Zet	R	SOT23R	MPSA43
5E	BC808-16	Phi	N	SOT23	BC328-16
5ER	BC808-16R	Phi	R	SOT23R	BC328-16
5F	BC808-25	Phi	N	SOT23	BC328-25
5F	CDZ7.5B	Roh	I	VMN2	zener 7.5V 0.15W

5Fs	BC808-25	Sie	N	SOT23	BC328-25
5Fs	BC808-25W	Sie	N	SOT323	BC328-25
5F	MMBD501	Mot	C	SOT23	MBD501 hot carrier diode
5F	Gali-5F	MC	AZ	SOT89	DC-4GHz MMIC amp 20 dB gain
5FR	BC808-25R	Phi	R	SOT23R	BC328-25
5G	BC808-40	Phi	N	SOT23	BC328-40
5Gs	BC808-40	Sie	N	SOT23	BC328-40
5Gs	BC808-40W	Sie	N	SOT323	BC328-40
5G	MMBD353	Mot	D		dual series MBD101
5GR	BC808-40R	Phi	R	SOT23R	BC328-40
5H	MMBD701	Mot	C	SOT23	MBD701 UHF schottky diode
5Hp	BC808	Phi	N	SOT23	BC328
5HZ	BC808	Zet	N	SOT23	BC328
5H	MMBD4148	Nat	C	SOT23	1N4148
5I	MMSD4148	Mot	C		1N4148
5J	FMMT38B	Zet	N		BCX38B
5K	MMBV809	Mot	C	SOT23	Hyperabrupt varicap
5Kp	BAP64-05	Phi	B		dual cc 3GHz RF pin diode
5L	MMBV609	Mot	B	SOT23	dual cc Hyperabrupt varicap
5N	MMBD452L	Mot	D	SOT23	series UHF schottky diodes
5P	FMMT2907AR	Zet	R	SOT23R	2N2907A
5P	CMDZ27L	CSC	I	SOD323	zener 250mW Iz 0.5mA 27V
5T	BCW66GR	Sie	R	SOT23R	npn 45V 0.8A 350mW
5V	BCW65BR	Zet	R	SOT23R	npn 32V 0.8A
5V1	PZM5.1NB	Phi	C	SOT346	5.1V 0.3W zener
5V6	PZM5.6NB	Phi	C	SOT346	5.6V 0.3W zener
5W	BCW67BR	Zet	R	SOT23R	pnp 32V 0.8A
5Y1	BZV49-C5V1	Phi	O	SOT89	5.1V 1W zener
5Y6	BZV49-C5V6	Phi	O	SOT89	5.6V 1W zener

Last Updated on 01/06/2006
By GM4PMK

GM4PMK's SMD Codebook

Codes beginning with '6'

Code	Device	Manf	Base	Package	Leaded Equivalent/Data
6 (red)	BBY56-03W	Sie	I	SOD323	varicap
60s	BAR60	Sie	QQ	SOT143	3 pin diodes
605	NDS0605	Fch	M	SOT23	P-ch mosfet 60V 180mA
61s	BAR61	Sie	PQ	SOT143	3 pin diodes pi atten
61A	MMBF4117	Nat	F		n-ch jfet ultra low i/p Ig
61C	MMBF4118	Nat	F		n-ch jfet ultra low i/p Ig
61A	MMBF4119	Nat	F		n-ch jfet ultra low i/p Ig
61J	MMBF4091	Nat	F		n-ch jfet sw/chopper
61K	MMBF4092	Nat	F		n-ch jfet sw/chopper
61L	MMBF4093	Nat	F		n-ch jfet sw/chopper
61M	MMBF4859	Nat	F		n-ch jfet sw/chopper
61N	MMBF5514	Nat	F		p-ch jfet sw/chopper
61P	MMBF5115	Nat	F		p-ch jfet sw/chopper
61Q	MMBF5516	Nat	F		p-ch jfet sw/chopper
61S	MMBF5458	Nat	F		n-ch jfet gp 2N5458
61T	MMBF5459	Nat	F		n-ch jfet gp 2N5459
61U	MMBF5461	Nat	F		p-ch jfet gp 2N5461
61V	MMBF5462	Nat	F		p-ch jfet gp 2N5462
62	EDZ3.6B	Roh	I	EMD2	150mW zener 3.6V
62	VDZ3.6B	Roh	I	VMD2	150mW zener 3.6V
62	DTC123YE	Roh	N	EMT3	npn dtr 2k2 +10k 50V 100mA
62	DTC123YUA	Roh	N	SC70	npn dtr 2k2 +10k 50V 100mA
62	DTC123YKA	Roh	N	SC59	npn dtr 2k2 +10k 50V 100mA
62	GDZ3.6B	Vis	I	SOD323	zener 200mW 3.6V
62P	MMBFJ201	Nat	F		n-ch jfet gp J201
62Q	MMBFJ202	Nat	F		n-ch jfet gp J202
62R	MMBFJ203	Nat	F		n-ch jfet gp J203
62S	MMBFJ270	Nat	F		p-ch jfet gp J270

62T	MMBFJ271	Nat	F		p-ch jfet gp J271
62V	PZM62NB1	Phi	C	SOT346	62V 0.3W zener
62Y	BZV49-C62	Phi	O	SOT89	62V 1W zener
63s	BAT64	Sie	C	SOT23	Schottky 40V 250mA gp
63s	BAT64W	Sie	C	SOT323	Schottky 40V 250mA gp
63Q	MMBFJ304	Nat	F		n-ch jfet vhf J304
6-3	1PS70SB40	Phi	C	SOT323	gp Schottky 40V 120mA
6t3	1PS70SB40	Phi	C	SOT323	gp Schottky 40V 120mA
64	DTC114YE	Roh	N	EMT3	npn dtr 10k + 47k 50V 100mA
64	DTC114YUA	Roh	N	SC70	npn dtr 10k + 47k 50V 100mA
64	DTC114YKA	Roh	N	SC59	npn dtr 10k + 47k 50V 100mA
64s	BAT64-04	Sie	D	SOT23	dual ser gp Schottky 40V 250mA
64s	BAT64-04W	Sie	D	SOT323	dual ser gp Schottky 40V 250mA
6-4	1PS70SB44	Phi	D	SOT323	dual series gp Schottky 40V 120mA
6t4	1PS70SB44	Phi	D	SOT323	dual series gp Schottky 40V 120mA
65	RF071M2S	Roh	I	PMDU	diode 200V 0.7A HF rectifier
65	EDZ18B	Roh	I	EMD2	150mW zener 18V
65	VDZ18B	Roh	I	VMD2	150mW zener 18V
65s	BAT64-05	Sie	B	SOT23	dual cc gp Schottky 40V 250mA
65s	BAT64-05W	Sie	B	SOT323	dual cc gp Schottky 40V 250mA
6-5	1PS70SB45	Phi	B	SOT323	dual cc gp Schottky 40V 120mA
6t5	1PS70SB45	Phi	B	SOT323	dual cc gp Schottky 40V 120mA
66	RF101ML2S	Roh	I	PMDS	diode 200V 1A HF rectifier
66s	BAT64-06	Sie	A	SOT23	dual ca gp Schottky 40V 250mA
66s	BAT64-06W	Sie	A	SOT323	dual ca gp Schottky 40V 250mA
6-6	1PS70SB40	Phi	A	SOT323	dual ca gp Schottky 40V 120mA
6t6	1PS70SB40	Phi	A	SOT323	dual ca gp Schottky 40V 120mA
67s	BAT64-07	Sie	S	SOT143	dual gp Schottky 40V 250mA
67s	BAT64-07W	Sie	S	SOT343	dual gp Schottky 40V 250mA
67	BFP67	Tfk	X		npn Rf fT 7.5GHz 10V 50mA
67R	BFP67R	Tfk	WQ		npn Rf fT 7.5GHz 10V 50mA
68	RF073M2S	Roh	I	PMDU	diode 200V 1A HF rectifier
68Y	BZV49-C68	Phi	O	SOT89	68V 1W zener
68V	PZM68NB1	Phi	C	SOT346	68V 0.3W zener

69	RF103L2S	Roh	I	PMDS	HF rectifier diode 200V 1A
69	DTA114YE	Mot	N	SOT416	pnv dtr 10k +47k
69	DTC115EE	Roh	N	EMT3	npn dtr 100k+100k 50V 20mA
69	DTC115EUA	Roh	N	SC70	npn dtr 100k+100k 50V 20mA
69	DTC115EKA	Roh	N	SC59	npn dtr 100k+100k 50V 20mA
605	NDS0605	Fch	M		p-ch sw mosfet 60V
610	NDS0610	Fch	M		p-ch sw mosfet 60V
614	FMMT614	Zet	N	SOT23	sw
617	FMMT617	Zet	N	SOT23	npn sw 15V 3A
618	FMMT618	Zet	N	SOT23	npn sw 20V 2.5A
619	FMMT619	Zet	N	SOT23	npn sw 50V 2A
621	PZM6.2NB1	Phi	C	SOT346	6.2V 0.3W zener
622	PZM6.2NB2	Phi	C	SOT346	6.2V 0.3W zener
623	PZM6.2NB3	Phi	C	SOT346	6.2V 0.3W zener
624	FMMT624	Zet	N	SOT23	
625	FMMT625	Zet	N	SOT23	
634	FMMT634	Zet	N	SOT23	100V 0.9A darlington npn
651	PZT651	Mot	N	SOT223	npn 60V 1A
681	PZM6.8NB1	Phi	C	SOT346	6.8V 0.3W zener
682	PZM6.8NB2	Phi	C	SOT346	6.8V 0.3W zener
683	PZM6.8NB1	Phi	C	SOT346	6.8V 0.3W zener
6A	MMBF4416	Mot	ZC	SOT23	2N4416 n-ch vhf jfet
p6A	PMBF4416	Phi	ZC	SOT23	2N4416 n-ch vhf jfet
6A	MUN2111	Mot	N	SOT23	pnv dtr with 10k+10k
6A	MUN5111	Mot	N	SOT323	pnv dtr with 10k+10k
6A	BC817-16	Phi	N	SOT23	BC337-16
6As	BC817-16	Sie	N	SOT23	BC337-16
6As	BC817-16	Sie	N	SOT323	BC337-16
6Ap	BC817-16W	Phi	N	SOT23	BC337-16
6At	BC817-16	Phi	N	SOT23	BC337-16
6At	BC817-16W	Phi	N	SOT323	BC337-16
6A-	BC817-16W	Phi	N	SOT323	BC337-16
6A2	PZM6.2NB2A	Phi	A	SOT346	dual ca 6.2V 0.3W zener
6A8	PZM6.8NB2A	Phi	A	SOT346	dual ca 6.8V 0.3W zener

6AR	BC817-16R	Phi	R	SOT23	BC337-16
6AZ	BC817-16	Zet	N	SOT23	BC337-16
6B	MMBF5484	Mot	ZC	SOT23	n-ch jfet 2N5484
p6B	PMBF5484	Phi	ZC	SOT23	n-ch jfet 2N5484
6B	BC817-25	Phi	N	SOT23	BC337-25
6Bs	BC817-25	Sie	N	SOT23	BC337-25
6Bs	BC817-25W	Sie	N	SOT323	BC337-25
6Bp	BC817-25	Phi	N	SOT23	BC337-25
6Bt	BC817-25	Phi	N	SOT23	BC337-25
6Bt	BC817-25W	Phi	N	SOT323	BC337-25
6B-	BC817-25W	Phi	N	SOT323	BC337-25
6B	MUN2112	Mot	N	SOT23	pnp dtr 22k+22k
6B	MUN5112	Mot	N	SOT323	MUN2112
6BR	BC817-25R	Phi	R	SOT23R	BC337-25
6BZ	BC817-25	Zet	N	SOT23	BC337-25
6C	BC817-40	Phi	N	SOT23	BC337-40
6Cs	BC817-40	Sie	N	SOT23	BC337-40
6Cs	BC817-40W	Sie	N	SOT323	BC337-40
6Cp	BC817-40	Phi	N	SOT23	BC337-40
6Ct	BC817-40	Phi	N	SOT23	BC337-40
6Ct	BC817-40W	Phi	N	SOT323	BC337-40
6C-	BC817-40W	Phi	N	SOT323	BC337-40
6C	MMBFU310	Mot	F	SOT23	n-ch jfet U310
6C	MUN2113	Mot	N	SOT23	pnp dtr 47k+47k
6C	MUN5113	Mot	N	SOT323	MUN2113
6CR	BC817-40R	Phi	R	SOT23R	BC337-40
6CZ	BC817-40	Zet	N	SOT23	BC337-40
6Dp	BC817	Phi	N	SOT23	BC337
6Dt	BC817	Phi	N	SOT23	BC337
6Dt	BC817W	Phi	N	SOT323	BC337
6D-	BC817W	Phi	N	SOT323	BC337
6D	MMBF5457	Mot	F	SOT23	2N5457 n-ch jfet
6D	MUN2114	Mot	N	SOT23	pnp dtr 10k+47k
6D	MUN5114	Mot	N	SOT323	MUN21141

6DZ	BC817	Zet	N	SOT23	BC337
6E	FMMT-A93R	Zet	R	SOT23R	MPSA93
6E	MMBF5460	Mot	F	SOT23	p-ch jfet 2N5460
6E	BC818-16	Phi	N	SOT23	BC338-16
6Es	BC818-16	Sie	N	SOT23	BC338-16
6Es	BC818-16W	Sie	N	SOT323	BC338-16
6E	MUN2115	Mot	N	SOT23	pnp dtr R1 10k
6E	MUN5115	Mot	N	SOT323	MUN2115
6ER	BC818-16R	Phi	R	SOT23	BC338-16
6EZ	BC818-16	Zet	N	SOT23	BC338-16
6F	MMBF4860	Mot	F	SOT23	2N4860 n-ch jfet
6F	BC818-25	Phi	N	SOT23	BC338-25
6Fs	BC818-25	Sie	N	SOT23	BC338-25
6Fs	BC818-25W	Sie	N	SOT323	BC338-25
6F	MUN2116	Mot	N	SOT23	pnp dtr R1 4k7
6F	MUN5116	Mot	N	SOT323	MUN2116
6F	Gali-6F	MC	AZ	SOT89	DC-4GHz MMIC amp 12 dB gain
6FR	BC818-25R	Phi	R	SOT23R	BC338-25
6FZ	BC818-25	Zet	N	SOT23	BC338-25
6G	BC818-40	Phi	N	SOT23	BC338-40
6Gs	BC818-40	Sie	N	SOT23	BC338-40
6Gs	BC818-40W	Sie	N	SOT323	BC338-40
6G	MMBF4393	Mot	ZC	SOT23	n-ch jfet 2N4393
6G	MUN2130	Mot	N	SOT23	pnp dtr 1k0+1k0
6G	MUN5130	Mot	N	SOT323	ial">MUN2130
6GR	BC818-40R	Phi	R	SOT23	BC338-40
6GZ	BC818-40	Zet	N	SOT23	BC338-40
p6G	PMBF4393	Phi	ZC	SOT23	n-ch jfet 2N4393
6Hp	BC818	Phi	N	SOT23	BC338
6HZ	BC818	Zet	N	SOT23	BC338
6H	MMBF5486	Mot	ZC	SOT23	n-ch jfet 2N5486
p6H	PMBF5486	Phi	ZC	SOT23	n-ch jfet 2N5486
6H	MUN2131	Mot	N	SOT23	pnp dtr 2k2 +2k2
6H	MUN5131	Mot	N	SOT323	MUN2121

6J	MMBF4391	Mot	F	SOT23	n-ch jfet 2N4391
6J	MUN2132	Mot	N	SOT23	pnp dtr 4k7+ 4k7
6J	MUN5132	Mot	N	SOT323	MUN2132
p6J	PMBF4391	Phi	F	SOT23	n-ch jfet 2N4391
6K	MMBF4932	Mot	F	SOT23	n-ch jfet 2N4932
6K	MUN2133	Mot	N	SOT23	pnp dtr 4k7+ 47k
6K	MUN5133	Mot	N	SOT323	MUN2133
p6K	PMBF4932	Phi	F	SOT23	n-ch jfet 2N4932
6L	MMBF5459	Mot	F	SOT23	n-ch jfet 2N5459
6L	MUN2134	Mot	N	SOT23	pnp dtr 22k+47k
6L	MUN5134	Mot	N	SOT323	MUN2134
6M	MMBF5485	Nat	ZC	SOT23	n-ch jfet vhf 2N5485
p6M	PMBF5485	Nat	ZC	SOT23	n-ch jfet vhf 2N5485
6N	MMBF4861	Nat	F	SOT23	n-ch jfet sw/chopper
6Q	MMBFJ305	Nat	F		n-ch jfet vhf J305
6P	MMBFJ111	Nat	F		J111 n-ch jfet
6P	BCX71HR	Phi	R	SOT23R	BCX79
6R	MMBFJ112	Nat	F		J112 n-ch jfet
6P	MMBFJ113	Nat	F		J113 n-ch jfet
6P	CMDZ30L	CSC	I	SOD323	zener 250mW Iz 0.5mA 30V
6S	MMBFJ176	Nat	F		J176 n-ch jfet
6S	MMSD71	Mot	C		gp Si diode
p6S	PMBFJ176	Phi	F		J176 n-ch jfet
6T	BCW68GR	Sie	R		pnp 45V 0.8A 350mW
6T	MMBFJ310	Mot	F	SOT23	uhf n-ch jfet J310
6U	MMBFJ309	Nat	F	SOT23	uhf n-ch jfet J309
6V	BCW65CR	Zet	R	SOT23R	npn 32V 0.8A
6V	MMBFJ174	Nat	F		J174 p-ch jfet sw/chopper
6V2	PZM6.2NB	Phi	C	SOT346	6.2V 0.3W zener
6V8	PZM6.8NB	Phi	C	SOT346	6.8V 0.3W zener
6W	BCW67CR	Zet	R	SOT23R	pnp32V 0.8A
6W	MMBFJ175	Mot	F	SOT23	J175 p-ch jfet
p6W	PMBFJ175	Phi	F	SOT23	J175 p-ch jfet
6X	MMBFJ174	Nat	F		J174 p-ch jfet sw/chopper

p6X	PMBFJ174	Phi	F		J174 p-ch jfet sw/chopper
6Y	MMBFJ177	Mot	F	SOT23	J177 p-ch jfet
p6Y	PMBFJ177	Phi	F	SOT23	J177 p-ch jfet
6Y2	BZV49-C6V2	Phi	O	SOT89	6.2V 1W zener
6Y8	BZV49-C6V8	Phi	O	SOT89	6.8V 1W zener
6Z	MMBF170	Mot	M	SOT23	tmosfet n-ch Vds 60V

Last Updated on 01/06/2006

By GM4PMK

GM4PMK's SMD Codebook

Codes beginning with '7'

Code	Device	Manf	Base	Package	Leaded Equivalent/Data
7 (white)	BBY55-02W	Sie	I	SCD80	UHF Varicap
70	BFQ70	Sie	CX	SOT173	npn fT 5.2GHz 15V 35mA
7-0	1PS70SB10	Phi	C	SOT323	schottky diode 30V 0.2A
7t0	1PS70SB10	Phi	C	SOT323	schottky diode 30V 0.2A
71	BFQ71	Sie	CX	SOT173	npn fT 5.2GHz 15V 30mA
72	BFQ72	Sie	CX	SOT173	npn fT 5.1GHz 15V 50mA
72	2N7002	Sil	M	SOT23	n-ch mosfet 60V 170mA
72	GDZ3.9B	Vis	I	SOD323	zener 200mW 3.9V
72	EDZ3.9B	Roh	I	EMD2	150mW zener 3.9V
72	VDZ3.9B	Roh	I	VMD2	150mW zener 3.9V
72	RB161M-20	Roh	I	PMDU	schottky diode 1A 25V
73s	BAS70	Sie	C	SOT23	schottky diode 70V 50mA
73p	BAS70	Phi	C	SOT23	schottky diode 70V 50mA
73t	BAS70	Phi	C	SOT23	schottky diode 70V 50mA
73t	BAS70W	Phi	C	SOT323	schottky diode 70V 50mA
73-	BAS70W	Phi	C	SOT323	schottky diode 70V 50mA
73	MA4CS101A	M/A	C	SOT23	schottky diode 70V 50mA
73	BFQ73	Sie	CX	SOT173	npn fT 4.9GHz 15V 75mA
73	2SC5004	Nec	N		npn RF 5GHz @5V 5mA
73	RB161M-30	Roh	I	PMDU	schottky diode 1A 30V
73S	BFQ73S	Sie	CX	SOT173	npn fT 5.3GHz 15V 100mA
74	BFQ74	Sie	CX	SOT173	npn fT 6GHz 16V 35mA
74s	BAS70-04	Sie	D	SOT23	dual series BAS70
74p	BAS70-04	Phi	D	SOT23	dual series BAS70
74t	BAS70-04	Phi	D	SOT23	dual series BAS70
74t	BAS70-04W	Phi	D	SOT323	dual series BAS70
74t	BAS70-04W	Phi	D	SOT323	dual series BAS70
74	MA4CS101B	M/A	D	SOT23	dual series MA4CS101A (73)

74	DTA114WE	Rho	N	EMT3	pnnp dtr 10k + 4k7 50V 100mA
74	DTA114WUA	Rho	N	SC70	pnnp dtr 10k + 4k7 50V 100mA
74	DTA114WKA	Rho	N	SC59	pnnp dtr 10k + 4k7 50V 100mA
74	2SC5005	Nec	N		npn RF 5.5GHz @5V 5mA
74	RB160M-40	Roh	I	PMDU	schottky diode 1A 40V
7-4	1PS70SB14	Phi	D	SOT323	dual series schottky diode 30V 0.2A
7t4	1PS70SB14	Phi	D	SOT323	dual series schottky diode 30V 0.2A
75	RSX101M-30	Roh	I	PMDU	schottky diode 1A 30V
75s	BAS70-05	Sie	B	SOT23	dual cc BAS70
75s	BAS70-05W	Sie	B	SOT323	dual cc BAS70
75p	BAS70-05	Phi	B	SOT23	dual cc BAS70
75t	BAS70-05W	Phi	B	SOT323	dual cc BAS70
75t	BAS70-05	Phi	B	SOT23	dual cc BAS70
75-	BAS70-05W	Phi	B	SOT323	dual cc BAS70
75	BFQ75	Sie	CX	SOT173	pnnp fT 5GHz 12V 50mA
75	EDZ20B	Roh	I	EMD2	150mW zener 20V
75	VDZ20B	Roh	I	VMD2	150mW zener 20V
7-5	1PS70SB15	Phi	B	SOT323	dual cc schottky diode 30V 0.2A
7t5	1PS70SB15	Phi	B	SOT323	dual cc schottky diode 30V 0.2A
75Y	BZV49-C75	Phi	O	SOT89	75V 1W zener
76	RB160M-60	Roh	I	PMDU	schottky diode 1A 60V
76s	BAS70-06	Sie	A	SOT23	dual ca BAS70
76p	BAS70-06	Phi	A	SOT23	dual ca BAS70
76t	BAS70-06	Phi	A	SOT23	dual ca BAS70
76t	BAS70-06W	Phi	A	SOT323	dual ca BAS70
76-	BAS70-06W	Phi	A	SOT323	dual ca BAS70
76	BFQ76	Sie	CX	SOT173	pnnp fT 5GHz 15V 30mA
76	DTA144WE	Rho	N	EMT3	pnnp dtr 47k + 22k 50V 30mA
76	DTA144WUA	Rho	N	SC70	pnnp dtr 47k + 22k 50V 30mA
76	DTA144WKA	Rho	N	SC59	pnnp dtr 47k + 22k 50V 30mA
7-6	1PS70SB16	Phi	A	SOT323	dual ca schottky diode 30V 0.2A
7t6	1PS70SB16	Phi	A	SOT323	dual ca schottky diode 30V 0.2A
77s	BAS70-07	Sie	S	SOT143	dual BAS70
77s	BAS70-07	Sie	S	SOT343	dual BAS70
77	MA4CS101E	M/A	S	SOT143	dual MA4CS101A (73)

77	BFQ77	Sie	CX	SOT173	nnp ft 7GHz 15V 20mA
78	MMBT4258	Nat	N	SOT23	pnp sw ft 700MHz
79	RB1070M-30	Roh	I	PMDU	schottky diode 1.5A 30V
701	2N7001	Mot	M	SOT23	n-ch mosfet
702	2N7002	Mot	M	SOT23	n-ch mosfet 60V 0.11A
703	2N7003	Mot	M	SOT23	n-ch mosfet
712	NDS7002A	Nat	M	SOT23	n-ch mosfet 60V 0.28A
717	FMMT717	Zet	N	SOT23	pnp sw 0.625W 2.5A 12V
718	FMMT718	Zet	N	SOT23	pnp sw 0.625W 1.5A 20V
720	FMMT720	Zet	N	SOT23	pnp sw 0.625W 1.5A
722	FMMT722	Zet	N	SOT23	pnp sw
723	FMMT723	Zet	N	SOT23	pnp sw
751	PZM7.5NB1	Phi	C	SOT346	7.5V 0.3W zener
752	PZM7.5NB2	Phi	C	SOT346	7.5V 0.3W zener
753	PZM7.5NB3	Phi	C	SOT346	7.5V 0.3W zener
7A	MMBR901	Mot	N	SOT23	nnp RF MRF901
7A	MUN5211DW1	Mot	DN	SOT363	dual npn dtr 10k+10k
7A5	PZM7.5NB2A	Phi	A	SOT346	dual ca 7.5V 0.3W zener
7B	MMBR920	Mot	N	SOT23	nnp RF ?MRF920
7B	UMZC6.8N	Roh	A	UMD3	dual ESDca zener 6.8V 0.2W
7B	STZC6.8N	Roh	A	SMD3	dual ESDca zener 6.8V 0.2W
7B	MUN5212DW1	Mot	DN	SOT363	dual npn dtr 22k+22k
7C	MMBR930	Mot	N	SOT23	nnp RF ?MRF930
7C	MUN5213DW1	Mot	DN	SOT363	dual npn dtr 47k+47k
7D	MMBR931	Mot	N	SOT23	nnp RF ?MRF931
7D	HD4A	Zet	A		ca dual HD3A
7D	UMZC6.2N	Roh	A	UMD3	dual ESDca zener 6.82V 0.2W
7D	MUN5214DW1	Mot	DN	SOT363	dual npn dtr 10k+47k
7E	FMMT-A42R	Zet	R		MPSA42
7E	MMBR2060	Mot	N		nnp RF ft 1GHz Vce 30V 50mA
7E	MUN5215DW1	Mot	DN	SOT363	dual npn 10k base res
7F	MMBR4957	Mot	N		nnp RF ft 1.2GHz 30V 30mA
7F	MUN5211DW1	Mot	DN	SOT363	dual npn dtr R1 4k7
7G	MMBR5031	Mot	N	SOT23	nnp RF ft 1GHz 10V 20mA
7G	MUN5230DW1	Mot	DN	SOT363	dual npn dtr 1k0+1k0

7H	MMBR5179	Mot	N	SOT23	npn RF 2N5179/BFY90
7H	MUN5231DW1	Mot	DN	SOT363	dual npn dtr 2k2+2k2
7J	FMMT38C	Zet	N	SOT23	BCX38C
7J	MUN5232DW1	Mot	DN	SOT363	dual npn dtr 4k7+4k7
7K	MMBR2857	Mot	N		npn RF fT 1GHz Vce 15V 40mA
7K	MUN5233DW1	Mot	DN	SOT363	dual npn dtr 4k7+47k bias
7L	MUN5234DW1	Mot	DN	SOT3636	dual npn dtr 22k+47k bias
7M	MUN5235DW1	Mot	DN	SOT363	dual npn dtr 2k2+47k bias
7M	MMBR521L	Mot	N	SOT23	pnnp RF MRF521
7M	BCW66HR	Zet	R	SOT23R	npn 45V 0.8A
7N	MMBR941BL	Mot	N	SOT23	npn RF fT 8GHz MRF941
7N	BCW68HR	Zet	R	SOT23	pnnp 45V 0.8A
7N	CMDZ1L8	CSC	I	SOD323	zener 250mW Iz 0.5mA 1.8V
7P	BCW66FR	SGS	R	SOT23R	npn 45V 0.8A 350mW
7P	MMBR911L	Mot	N	SOT23	npn RF fT 6GHz MRF911
7P	CMDZ33L	CSC	I	SOD323	zener 250mW Iz 0.5mA 33V
7R	MMBR536	Mot	N		npn RF MRF536
7T	BCW68FR	Zet	R	SOT23R	pnnp 45V 0.8A
7V5	PZM7.5NB	Phi	C	SOT346	7.5V 0.3W zener
7X	MMBR571L	Mot	N	SOT23	npn RF fT 8GHz MRF571
7Y	MMBR941L	Mot	N	SOT23	npn RF fT 8GHz MRF941
7Y5	BZV49-C7V5	Phi	O	SOT89	7.5V 1W zener
7Z	MMBR951L	Mot	N	SOT23	npn RF fT7.5GHz MRF951

Last Updated on 01/06/2006

By G4PMK

GM4PMK's SMD Codebook

Codes beginning with '8'

Code	Device	Manf	Base	Package	Leaded Equivalent/Data
8 (yellow)	BBY58-03W	Sie	I	SOD323	varicap
8	BB178	Phi	I	SOD523	VHF varicap 2.5-16pf
81	ZMV831BV2	Zet	I	SOD523	28V hyperabrupt varicap 15pF @2V
81A	MMBZ5250B	Mot	C	SOT23	20V zener 0.225W
81A	PMBZ5250B	Phi	C	SOT23	20V zener 0.225W
81B	MMBZ5251B	Mot	C	SOT23	22V zener 0.225W
81B	PMBZ5251B	Phi	C	SOT23	22V zener 0.225W
81C	MMBZ5252B	Mot	C	SOT23	24V zener 0.225W
81C	PMBZ5252B	Phi	C	SOT23	24V zener 0.225W
81D	MMBZ5253B	Mot	C	SOT23	25V zener 0.225W
81D	PMBZ5253B	Phi	C	SOT23	25V zener 0.225W
81E	MMBZ5254B	Mot	C	SOT23	27V zener 0.225W
81E	PMBZ5254B	Mot	C	SOT23	27V zener 0.225W
81F	MMBZ5255B	Mot	C	SOT23	28V zener 0.225W
81F	PMBZ5255B	Sie	C	SOT23	28V zener 0.225W
81G	MMBZ5256B	Mot	C	SOT23	30V zener 0.225W
81G	PMBZ5256B	Phi	C	SOT23	30V zener 0.225W
81H	MMBZ5257B	Mot	C	SOT23	33V zener 0.225W
81H	PMBZ5257B	Phi	C	SOT23	33V zener 0.225W
81J	MMBZ5258B	Vis	C	SOT23	36V zener 300mW
81K	MMBZ5259B	Vis	C	SOT23	39V zener 300mW
81M	MMBZ5261B	Vis	C	SOT23	47V zener 300mW
81N	MMBZ5262B	Vis	C	SOT23	51V zener 300mW
81P	MMBZ5263B	Vis	C	SOT23	56V zener 300mW
81Q	MMBZ5264B	Vis	C	SOT23	60V zener 300mW
81R	MMBZ5265B	Vis	C	SOT23	62V zener 300mW
81S	MMBZ5266B	Vis	C	SOT23	68V zener 300mW
81T	MMBZ5267B	Vis	C	SOT23	75V zener 300mW

82	2SC5009	Nec	N		npn RF ft 12GHz @ 3V 5mA
82	ZMV832BV2	Zet	I	SOD523	28V hyperabrupt varicap 22pF @2V
82	GDZ4.3B	Vis	I	SOD323	zener 200mW 4.3V
82	EDZ4.3B	Roh	I	EMD2	150mW zener 4.3V
82	VDZ4.3B	Roh	I	VMD2	150mW zener 4.3V
82R	S886TR	Vis	UQ	SOT143R	biased n-ch dg uhf mosfet for TV 12V
82P	BFP182T	Tfk	X		npn RF ft 7.5GHz 10V 35mA
83	MMBT4400	Nat	N		npn 2N4400
83	RB160M-90	Roh	I	PMDU	schottky diode 1A 90V
83s	BAT68	Sie	C	SOT23	gp Schottky 8V 130mA
83s	BAT68W	Sie	C	SOT323	gp Schottky 8V 130mA
83	2SC5010	Nec	N		npn RF ft 12GHz 3V 10mA
83	MA4CS102A	M/A	C	SOT23	schottky diode 8V 30mA
83P	BFP183T	Tfk	X		npn RF ft 7.4GHz 10V 65mA
84s	BAT68-04	Sie	D	SOT23	dual ser gp Schottky 8V 130mA
84s	BAT68-04W	Sie	D	SOT323	dual ser gp Schottky 8V 130mA
84	MA4CS102B	M/A	D	SOT23	dual ser schottky diode 8V 30mA
84	DTC114WE	Rho	N	EMT3	npn dtr 10k + 4k7 50V 100mA
84	DTC114WUA	Rho	N	SC70	npn dtr 10k + 4k7 50V 100mA
84	DTC114WKA	Rho	N	SC59	npn dtr 10k + 4k7 50V 100mA
85	MMBD1701	Nat	C		Fast Si diode 30V 50mA
85	MA4CS102A	M/A	B	SOT23	dual cc schottky diode 8V 30mA
85	EDZ22B	Roh	I	EMD2	150mW zener 22V
85	VDZ22B	Roh	I	VMD2	150mW zener 22V
85s	BAT68-05	Sie	B	SOT23	gp dual cc Schottky 8V 130mA
85s	BAT68-05W	Sie	B	SOT323	gp dual cc Schottky 8V 130mA
86	MMBD1702	Nat	K		Fast Si diode 30V 50mA
86	DTC144WE	Rho	N	EMT3	npn dtr 47k + 22k 50V 30mA
86	DTC144WUA	Rho	N	SC70	npn dtr 47k + 22k 50V 30mA
86	DTC144WKA	Rho	N	SC59	npn dtr 47k + 22k 50V 30mA
86s	BAT68-06	Sie	A	SOT23	gp dual ca Schottky 8V 130mA
86s	BAT68-06W	Sie	A	SOT323	gp dual ca Schottky 8V 130mA
87	MMBD1703	Nat	D		dual ser MMBD1701

87	MA4CS102A	M/A	S	SOT143	dual schottky diode 8V 30mA
87s	BAT68-07	Sie	S	SOT143	gp dual schottky 8V 130mA
88	MMBD1704	Nat	B		dual cc MMBD1701
89	MMBD1705	Nat	A		dual ca MMBD1701
821	PZM8.2NB1	Phi	C	SOT23	8.2V 0.3W zener
822	PZM8.2NB2	Phi	C	SOT23	8.2V 0.3W zener
822	S822T	Tfk	X		npn RF ft 5.2GHz 6V 8mA
823	PZM8.2NB3	Phi	C	SOT23	8.2V 0.3W zener
849	S849T	Vis	W	SOT143	biased n-ch dg uhf mosfet for TV 12V
852	S852T	Tfk	N	SOT23	npn RF ft 5.2GHz 6V 8mA
887	S887T	Tfk	W	SOT143	n-ch dg uhf mosfet
888	S888T	Tfk	W	SOT142	n-ch dg uhf mosfet
8A	NJM78L02A	NJR	KQ	SOT89	78L 2.0V 0.1A regulator
8A	MMBZ5226B	Mot	C	SOT23	3.3V zener 0.225W
8A	MUN2211	Mot	N	SOT23	npn dtr 10k +10k
8A	MUN5211	Mot	N	SOT323	npn dtr 10k +10k
8A	2DA1774Q	Dio	N	SOT523	gp pnp 60V 150mA hfe 120-270
8A2	PZM8.2NB2A	Phi	C	SOT23	dual ca 8.2V 0.3W zener
8B	NJM78L03A	NJR	KQ	SOT89	78L 3.0V 0.1A regulator
8B	MMBZ5227B	Mot	C	SOT23	3.6V zener 0.225W
8B	MUN2212	Mot	N	SOT23	npn dtr 22k+22k
8B	MUN5212	Mot	N	SOT323	npn dtr 22k+22k
8B	2DA1774Q	Dio	N	SOT523	gp pnp 60V 150mA hfe 180-390
8C	NJM78L05A	NJR	KQ	SOT89	78L 5.0V 0.1A regulator
8C	MMBZ5228B	Mot	C	SOT23	3.9V zener 0.225W
8C	MUN2213	Mot	N	SOT23	npn dtr 47k + 47k
8C	MUN5213	Mot	N	SOT323	npn dtr 47k + 47k
8C	2DA1774S	Dio	N	SOT523	gp pnp 60V 150mA hfe 270-560
8D	MUN2214	Mot	N	SOT23	npn dtr 10k + 47k
8D	MUN5214	Mot	N	SOT323	MUN2214
8D	2DC4617Q	Dio	N	SOT523	gp npn 60V 150mA hfe 120-270
8E	NJM78L06A	NJR	KQ	SOT89	78L 6.0V 0.1A regulator
8E	FMMT-A92R	Zet	R	SOT23R	MPSA92
8E	MMBZ5230B	Mot	C	SOT23	4.7V zener 0.225W
8E	MUN2215	Mot	N	SOT23	npn dtr R1 10k

8E	MUN5215	Mot	N	SOT323	npn dtr R1 10k
8E	2DC4617R	Dio	N	SOT523	gp npn 60V 150mA hfe 180-390
8F	NJM78L07A	NJR	KQ	SOT89	78L 7.0V 0.1A regulator
8F	MMBZ5231B	Mot	C	SOT23	5.1V zener 0.225W
8F	MUN2216	Mot	N	SOT23	npn dtr R1 4k7
8F	MUN5216	Mot	N	SOT323	MUN2216
8F	2DC4617S	Dio	N	SOT523	gp npn 60V 150mA hfe 270-560
8G	NJM78L08A	NJR	KQ	SOT89	78L 8.0V 0.1A regulator
8G	MMBZ5232B	Mot	C	SOT23	5.6V zener 0.225W
8G	MUN2230	Mot	N	SOT23	npn dtr 1k0+1k0
8G	MUN5230	Mot	N	SOT323	npn dtr 1k0+1k0
8H	NJM78L09A	NJR	KQ	SOT89	78L 9.0V 0.1A regulator
8H	MMBZ5233B	Mot	C	SOT23	6.0V zener 0.225W
8H	MUN2231	Mot	N	SOT23	npn dtr 2k2+2k2
8H	MUN5231	Mot	N	SOT323	npn dtr 2k2+2k2
8J	NJM78L10A	NJR	KQ	SOT89	78L 10V 0.1A regulator
8J	MMBZ5234B	Mot	C	SOT23	6.2V zener 0.225W
8J	MUN2232	Mot	N	SOT23	npn dtr 4k7+ 4k7
8J	MUN5232	Mot	N	SOT323	npn dtr 4k7+ 4k7
8K	NJM78L12A	NJR	KQ	SOT89	78L 12V 0.1A regulator
8K	MMBZ5235B	Mot	C	SOT23	6.8V zener 0.225W
8K	MUN2233	Mot	N	SOT23	npn dtr 4k7+ 47k
8K	MUN5233	Mot	N	SOT323	npn dtr 4k7+ 47k
8L	NJM78L15A	NJR	KQ	SOT89	78L 15V 0.1A regulator
8L	MMBZ5236B	Mot	C	SOT23	7.5V zener 0.225W
8L	MUN2234	Mot	N	SOT23	npn dtr 22k + 47k
8L	MUN5234	Mot	N	SOT323	npn dtr 22k + 47k
8M	NJM78L18A	NJR	KQ	SOT89	78L 18V 0.1A regulator
8M	MMBZ5237B	Mot	C	SOT23	8.2V zener 0.225W
8N	NJM78L20A	NJR	KQ	SOT89	78L 20V 0.1A regulator
8N	MMBZ5238B	Mot	C	SOT23	8.7V zener 0.225W
8N	CMDZ2L0	CSC	I	SOD323	zener 250mW Iz 0.5mA 2.0V
8P	NJM78L24A	NJR	KQ	SOT89	78L 24V 0.1A regulator
8P	MMBZ5239B	Mot	C	SOT23	9.1V zener 0.225W
8P	CMDZ36L	CSC	I	SOD323	zener 250mW Iz 0.5mA 36V

8Q	MMBZ5240B	Mot	C	SOT23	10V zener 0.225W
8R	MMBZ5241B	Mot	C	SOT23	11V zener 0.225W
8S	MMBZ5242B	Mot	C	SOT23	12V zener 0.225W
8T	MMBZ5243B	Mot	C	SOT23	13V zener 0.225W
8U	MMBZ5244B	Mot	C	SOT23	14V zener 0.225W
8V	MMBZ5245B	Mot	C	SOT23	15V zener 0.225W
8V2	PZM8.2NB	Phi	C	SOT23	8.2V 0.3W zener
8W	MMBZ5246B	Mot	C	SOT23	16V zener 0.225W
8X	MMBZ5247B	Mot	C	SOT23	17V zener 0.225W
8Y	MMBZ5248B	Mot	C	SOT23	18V zener 0.225W
8Y2	BZV49-C8V2	Phi	O	SOT89	8.2V 1W zener
8Z	NJM78L62A	NJR	KQ	SOT89	78L 6.2V 0.1A regulator
8Z	MMBZ5249B	Mot	C	SOT23	19V zener 0.225W

*Last Updated on 01/06/2006
By GM4PMK*

GM4PMK's SMD Codebook

Codes beginning with '9'

Code	Device	Manf	Base	Package	Leaded Equivalent/Data
9	BC849	Mot	N	SOT23	BC 549B
9	BB179	Phi	I	SOD523	UHF varicap 2-11.5pf
91	ZV931V2	Zet	I	SOD523	4-13.5pF hyperabrupt varicap
91	DTA113TKA	Roh	N	SC59	pnp dtr R11k0 50V 100mA
91A	FMMT591A	Zet	N	SOT23	pnp 40V 1A 0.5W fT 150 MHz
92	ZV932V2	Zet	I	SOD523	5.5-17pF hyperabrupt varicap
92	GDZ4.7B	Vis	I	SOD323	zener 200mW 4.7V
92	EDZ4.7B	Roh	I	EMD2	150mW zener 4.7V
92	VDZ4.7B	Roh	I	VMD2	150mW zener 4.7V
92V	BFP92A	Tfk	W		npn RF 6GHz 16V 30mA
93	ZV933V2	Zet	I	SOD523	12-42pF hyperabrupt varicap
93	DTA143TE	Roh	N	EMT3	pnp dtr R1 4k7 50V 100mA
93	DTA143TUA	Roh	N	SC70	pnp dtr R1 4k7 50V 100mA
93	DTA143TKA	Roh	N	SC59	pnp dtr R1 4k7 50V 100mA
93R	S593TR	Vis	UQ	SOT143R	biased dg mosfet MOSIC 5V uhf tv tuners
94	DTA114TE	Roh	N	EMT3	pnp dtr R1 10k 50V 100mA
94	DTA114TUA	Roh	N	SC70	pnp dtr R1 10k 50V 100mA
94	DTA114TKA	Roh	N	SC59	pnp dtr R1 10k 50V 100mA
94R	S594TR	Vis	UQ	SOT143R	biased dg mosfet MOSIC 5V uhf tv tuners
95	DTA124TE	Roh	N	EMT3	pnp dtr R1 22k 50V 100mA
95	DTA124TCA	Roh	N	SOT23	pnp dtr R1 22k 50V 100mA
95	DTA124TKA	Roh	N	SC59	pnp dtr R1 22k 50V 100mA
25	EDZ24B	Roh	I	EMD2	150mW zener 24V
25	VDZ24B	Roh	I	VMD2	150mW zener 24V
95R	S595TR	Vis	UQ	SOT143R	biased dg mosfet MOSIC 5V uhf tv tuners
96	DTA144TE	Roh	N	EMT3	pnp dtr R1 47k 50V 100mA
96	DTA144TUA	Roh	N	SC70	pnp dtr R1 47k 50V 100mA

96	DTA144TKA	Roh	N	SC59	pnp dtr R1 47k 50V 100mA
99	DTA115TE	Roh	N	EMT3	pnp dtr R1 100k 50V 100mA
99	DTA115TUA	Roh	N	SC70	pnp dtr R1 100k 50V 100mA
99	DTA115TKA	Roh	N	SC59	pnp dtr R1 100k 50V 100mA
99R	S949TR	Vis	UQ	SOT143R	biased dg uhf mosfet MOSIC for TV tuners 9V
911	PZM9.1NB1	Phi	C	SOT346	9.1V 0.3W zener
912	PZM9.1NB2	Phi	C	SOT346	9.1V 0.3W zener
913	PZM9.1NB3	Phi	C	SOT346	9.1V 0.3W zener
913	S913T	Vis	W	SOT143	biased dg mosfet MOSIC 9V uhf tv tuners
949	S949T	Vis	W	SOT143	biased dg uhf mosfet MOSIC for TV tuners 9V
982	S886T	Vis	W	SOT143	biased dg uhf mosfet MOSIC for TV tuners 12V
9A	FMMT2369AR	Zet	R	SOT23	2N2369A
9A	DTA125TUA	Roh	N	SC70	pnp dtr R1 200k 50V 100mA
9A	DTA125TKA	Roh	N	SC59	pnp dtr R1 200k 50V 100mA
9A	PLVA650A	Phi	C	SOT23	5.0V avalanche reg diode
9A1	PZM9.1NB2A	Phi	A	SOT346	dual ca 9.1V 0.3W zener
9B	NJM79L03UA	NJR	KQR	SOT89	79L reg 3.0V 0.1A
9B	PLVA653A	Phi	C	SOT23	5.3V avalanche reg diode
9C	NJM79L05UA	NJR	KQR	SOT89	79L reg 5.0V 0.1A
9C	PLVA656A	Phi	C	SOT23	5.6V avalanche reg diode
9D	PLVA659A	Phi	C	SOT23	5.9V avalanche reg diode
9E	NJM79L06UA	NJR	KQR	SOT89	79L reg 6.0V 0.1A
9E	PLVA662A	Phi	C	SOT23	6.2V avalanche reg diode
9F	PLVA665A	Phi	C	SOT23	6.5V avalanche reg diode
9G	NJM79L08UA	NJR	KQR	SOT89	79L reg 8.0V 0.1A
9G	PLVA668A	Phi	C	SOT23	6.8V avalanche reg diode
9H	NJM79L09UA	NJR	KQR	SOT89	79L reg 9.0V 0.1A
9J	PLVA2650A	Phi	A	SOT23	dual ca 5.0V reg diode
9K	NJM79L12UA	NJR	KQR	SOT89	79L reg 12V 0.1A
9K	PLVA2653A	Phi	A	SOT23	dual ca 5.3V reg diode
9L	NJM79L15UA	NJR	KQR	SOT89	79L reg 15V 0.1A
9L	PLVA2656A	Phi	A	SOT23	dual 5.60V reg diode

9M	NJM79L18UA	NJR	KQR	SOT89	79L reg 18V 0.1A
9M	PLVA2659A	Phi	A	SOT23	dual ca 5.9V reg diode
9N	PLVA2662A	Phi	A	SOT23	dual ca 6.2V reg diode
9N	CMDZ2L2	CSC	I	SOD323	zener 250mW Iz 0.5mA 2.2V
9O	PLVA2665A	Phi	A	SOT23	dual ca 6.5V reg diode
9P	NJM79L24UA	NJR	KQR	SOT89	79L reg 24V 0.1A
9P	PLVA2668A	Phi	A	SOT23	dual ca 6.8V reg diode
9P	BCX70HR	Zet	R	SOT23	BCX70H
9P	CMDZ39L	CSC	I	SOD323	zener 250mW Iz 0.5mA 39V
9R	FMMT2369R	Zet	R	SOT23	2N2369
9V1	PZM9.1NB	Phi	C	SOT346	9.1V 0.3W zener
9Y1	BZV49-C9V1	Phi	O	SOT89	9.1V 1W zener

*Last Updated on 01/06/2006
By GM4PMK*

GM4PMK's SMD Codebook

Codes beginning with 'A'

Code	Device	Manf	Base	Package	Leaded Equivalent/Data
A	BA892	Sie	I	SCD80	35V 100mA pin
A	1SS355	Roh	I	USM	100V 50mA sw
A	MRF947	Mot	N	SOT323	npn RF 8 GHz
A0	HSMS-2800	HP	C	SOT23	HP2800 schottky
A0	HSMS-280B	HP	C	SOT323	HP2800 schottky
A03	VAM-03	MC	AQ		modamp MAR 3 Similar
A06	VAM-06	MC	AQ		modamp MAR 6 Similar
A07	VAM-07	MC	AQ		modamp MAR 7 Similar
A1	HSMS-2801	HP	K		HP2800 schottky
A1	BAW56W	Phi	A	SOT323	dual ca BAW62 (1N4148)
A1	BAW56	Phi	A	SOT23	dual ca BAW62 (1N4148)
A1	BAW56	Phi	A	SOT23	dual ca BAW62 (1N4148)
A1p	BAW56	Phi	A	SOT23	dual ca BAW62 (1N4148)
A1t	BAW56T	Phi	A	SOT416	dual ca BAW62 (1N4148)
A1t	BAW56S	Phi		SOT363	dual ca BAW62 (1N4148)
A1s	BAW56W	Sie	A	SOT323	dual ca BAW62 (1N4148)
A1s	BAW56	Sie	A	SOT23	dual ca BAW62 (1N4148)
A1s	BAW56U	Sie	A	SC74	dual ca BAW62 (1N4148)
A1X	MBAW56	Mot	A		ditto
A2	HSMS-2802	HP	D	SOT23	dual HP2800
A2	HSMS-280C	HP	D	SOT323	dual HP2800
A2	1N4148W	CSC	I	SOD123	1N4148
A2	BAT18	Phi	C	SOT23	BA482
A2s	BAT18	Sie	C	SOT23	BA482
A2	MMBD2836	Mot	A	SOT23	dual ca sw diode 75V
A2	CFY30	Sie	CQ	SOT143	n-ch GaAsfet 6 GHz
A2	MBT3906DW1	Mot	DO	SOT363	dual 2N3906
A2	EDZ5.1B	Roh	I	EMD2	150mW zener 5.1V
A2	VDZ5.1B	Roh	I	VMD2	150mW zener 5.1V

A22	BAS21	Phi	C	SOD27	BAV21
A2X	MMBD2836	Mot	A	SOT23	dual ca sw 75V 100mA 15ns
A3	BAP64-03	Phi	I	SOD323	3 GHz pin diode
A3	HSMS-2803	HP	D	SOT23	HP2800 ser pair
A3	MMBD1005	Mot	A	SOT23	dual ca Si diode low leakage
A3	BAS16	Zet	C		Si sw 75V 100mA
A3	BAT17	Phi	C	SOT23	BA481
A3	1N4448W	CSC	I	SOD123	1N4448
A3p	BAT17	Phi	C	SOT23	BA481
A3t	BAT17	Phi	C	SOT23	BA481
A3	MBT3906DW	Mot	N	SOT363	dual 2N3906
A3X	MMBD2835	Mot	A	SOT23	dual ca sw 35V 100mA 15nS
A4	HSMS-2804	HP	B	SOT23	dual cc HP2800 schottky
A4	1SS383	Tosh	DT	USQ	2 x 40V 0.1A schottky
A4	1SS383	Tosh	DT	SMQ/ SC61	2 x 40V 0.1A schottky
A4	1N4150W	CSC	I	SOD123	1N4150
A4s	BAV70W	Sie	B	SOT323	dual cc BAW62
A4s	BAV70	Sie	B	SOT23	dual cc BAW62
A4s	BAV70T	Sie	B	SOT416	dual cc BAW62
A4s	BAV70U	Sie	B	SC74	dual cc BAW62
A4	BAV70W	Phi	B	SOT323	dual cc BAW62
A4p	BAV70	Phi	B	SOT23	dual cc BAW62
A4t	BAV70	Phi	B	SOT23	dual cc BAW62
A4t	BAV70	Phi	B	SOT363	dual cc BAW62
A4X	MBAV70	Mot	B		ditto
A5	BAP51-03	Phi	I	SOD323	GP RF pin diode
A5p	BRY61	Phi		SOT143	
A5t	BRY61	Phi		SOT143	
A5	HSMS-2805	HP	S	SOT143	dual HP2800 schottky
A5	1SS384	Tosh	DT	USM	dua 10V/100ma Schottky
A5	1SS391	Tosh	DT	SC61	dua 10V/100ma Schottky
A5	MMBD1010	Mot	B	SOT23	dual cc Si diodes
A5	MMBD2837	Mot	B	SOT23	dual cc diodes 30V 150mA
A5	1N4151W	CSC	I	SOD123	1N4151
A5	EDZ27B	Roh	I	EMD2	150mW zener 27V

A5	VDZ27B	Roh	I	VMD2	150mW zener 27V
A6s	BAS16W	Sie	C	SOT323	BAW62 (1N4148)
A6s	BAS16	Sie	C	SOT23	BAW62 (1N4148)
A6s	BAS16U	Sie	C	SC74	BAW62 (1N4148)
A6	BAS16W	Phi	C	SOT323	BAW62 (1N4148)
A6p	BAS16	Phi	C	SOT23	BAW62 (1N4148)
A6t	BAS16	Phi	C	SOT23	BAW62 (1N4148)
A6	BAS16T	Phi	C	SOT416	BAW62 (1N4148)
A6	BAS216	Phi	I	SOD110	BAW62 (1N4148)
A6	BAS16D	CSC	I	SOD123	BAW62
A6p	BAS316	Phi	I	SOD323	BAW62 (1N4148)
A6	MMBD2836	Mot	B	SOT23	dual sw diode cc 75V
A6	HN2S01FU	Tosh	DV	US6	3 x 10V 0.1A schottky
A6	HN2S01F	Tosh	DV	SM6	3 x 10V 0.1A schottky
A6A	MMUN2111	Mot	N	SOT23	pnp dtr 10k+10k
A6B	MMUN2112	Mot	N	SOT23	pnp dtr 22k+22k
A6C	MMUN2113	Mot	N	SOT23	pnp dtr 47k+47k
A6D	MMUN2114	Mot	N	SOT23	pnp dtr 100k+100k
A6E	MMUN2115	Mot	N	SOT23	pnp dtr R1 10k
A6F	MMUN2116	Mot	N	SOT23	pnp dtr R1 4k7
A6G	MMUN2130	Mot	N	SOT23	pnp dtr 1k0+1k0
A6H	MMUN2131	Mot	N	SOT23	pnp dtr 2k2+2k2
A6J	MMUN2132	Mot	N	SOT23	pnp dtr 4k7+4k7
A6K	MMUN2133	Mot	N	SOT23	pnp dtr 4k7+47k
A6L	MMUN2134	Mot	N	SOT23	pnp dtr 22k+47k
A6X	MMBD2838	Mot	B	SOT23	dual sw 50V 100mA
A7s	BAV99	Sie	D	SOT23	dual ser BAW92
A7s	BAV99W	Sie	D	SOT323	dual ser BAW92
A7s	BAV99T	Sie	D	SC75	dual ser BAW92
A7s	BAV99U	Sie	D	SC74	dual ser BAW92
A7	BAV99W	Phi	D	SOT323	dual ser BAW92
A7	BAV99	Phi	D	SOT23	dual ser BAW92
A7	HSMS-2807	HP	RQ	SOT143	HP2800 ring quad
A7	1SS402	Tosh	DT	USM	2 x 20V 50mA schottky
A8	HSMS-2808	HP	BQ	SOT143	HP2800 bridge quad

A8	BAP50-03	Phi	I	SOD323	GP RF pin diode
A8	BAV19W	CSC	I	SOD123	sw diode BAV19
A8	BAS19	Phi	C	SOT23	BAV19
A7	HN2S03FU	Tosh	DT	US6	3 x 20V 50mA schottky
A7p	BFG310W/XR	Phi	WQ	SOT343R	npn RF ft 14 GHz 6V 60mW
A8	SI2308DS	Sil	M	SOT23	N-ch mosfet, 60V 0.1A
A8A	MMUN2211	Mot	N	SOT23	npn dtr 10k +10k
A8B	MMUN2212	Mot	N	SOT23	npn dtr 22k +22k
A8C	MMUN2213	Mot	N	SOT23	npn dtr 47k+47k
A8D	MMUN2214	Mot	N	SOT23	npn dtr 100k+100k
A8E	MMUN2215	Mot	N	SOT23	npn dtr R1 10k
A8F	MMUN2216	Mot	N	SOT23	npn dtr R1 4k7
A8G	MMUN2230	Mot	N	SOT23	npn dtr 1k0 +1k0
A8H	MMUN2231	Mot	N	SOT23	npn dtr 2k2+2k2
A8J	MMUN2232	Mot	N	SOT23	npn dtr 4k7+4k7
A8K	MMUN2233	Mot	N	SOT23	npn dtr 4k7+47k
A8L	MMUN2234	Mot	N	SOT23	npn dtr 22k+47k
A9	SI2309DS	Sil	M	SOT23	P-ch mosfet, 60V 0.1A
A9	BAV20W	CSC	I	SOD123	sw diode BAV20
A9	HN2S02FU	Tosh	DV	US6	3 x 40 V 0.1A schottky
A9	1SS322	Tosh	C	SC70	40V 0.1A schottky
A9	1SS294	Tosh	C	SC59	40V 0.1A schottky
A11	MMBD1501A	Fch	C	SOT23	180V 200mA diode
A13	MMBD1503A	Fch	D	SOT23	180V 200mA dual diode series
A14	MMBD1504A	Fch	B	SOT23	180V 200mA dual diode cc
A15	MMBD1505A	Fch	A	SOT23	180V 200mA dual diode ca
A16	ZC934A	Zet	C	SOT23	25-95pF hyperabrupt varicap
A17	ZC933A	Zet	C	SOT23	12-42pF hyperabrupt varicap
A51	BRY62	Phi		SOT143	
A61	BAS28	CSC	S	SOT143	dual fast sw diodes
A81	BAS20	Phi	C	SOT23	BAV20
A82	BAS21	Phi	C	SOT23	BAV21
A91	BAS17	Phi	C	SOT23	BA314
AA	BCX51	Sie	P	SOT89	pnp 45V audio comp BCX54
AA	BCW60A	TT	N	SOT23	BCY58-vii

AA	ZMV829A	Zet	I	SOD323	varicap hyperabrupt 28V 8.2pF@2V
AA	BAV21W	CSC	I	SOD123	sw diode BAV21
AAs	BCW60A	Sie	N	SOT23	BCY58-vii
AAA	MMBF4856	Mot	F	SOT23	2N4856 n-ch chopper jfet
AAG	MMBR951AL	Mot	N	SOT23	npn RF 8GHz
AAH	MAX6326_R22-T	Max	ZB	SC70	microproc -ve reset gen 2.200V
AAI	MAX6327_R22-T	Max	ZB	SC70	microproc +ve reset gen 2.200V
AAJ	MAX6328_R22-T	Max	ZB	SC70	microproc -ve reset gen 2.200V
AAN	MAX809LXR	Max	ZB	SC70	microproc -ve reset gen 5.0V
AAO	MAX809MXR	Max	ZB	SC70	microproc -ve reset gen 5.0V
AAP	MAX809TXR	Max	ZB	SC70	microproc -ve reset gen 3.3V
AAQ	MAX809SXR	Max	ZB	SC70	microproc -ve reset gen 3.3V
AAR	MAX809RXR	Max	ZB	SC70	microproc -ve reset gen 3.0V
AAS	MAX803ZXR	Max	ZB	SC70	microproc -ve reset gen 2.5V
AAT	MAX810LXR	Max	ZB	SC70	microproc +ve reset gen 5.0V
AAU	MAX810MXR	Max	ZB	SC70	microproc +-ve reset gen 5.0V
AAV	MAX810TXR	Max	ZB	SC70	microproc +ve reset gen 3.3V
AAW	MAX810RXR	Max	ZB	SC70	microproc +ve reset gen 3.0V
AAX	MAX810SXR	Max	ZB	SC70	microproc +ve reset gen 3.3V
AAZ	MAX810ZXR	Max	ZB	SC70	microproc +ve reset gen 2.5V
AAZ	MAX803LXR	Max	ZB	SC70	microproc -ve reset gen 5.0V
AB	BCW60B	ITT	N	SOT23	BCY58-viii
AB	ZMV830A	Zet	I	SOD323	varicap hyperabrupt 28V 10pF@2V
AB	2SC4213		N		
ABs	BCW60B	Sie	N	SOT23	BCY58-viii
ABp	BCW60B	Phi	N	SOT23	BCY58-viii
ABt	BCW60B	Phi	N	SOT23	BCY58-viii
ABA	MAX803TXR	Max	ZB	SC70	microproc -ve reset gen 5.0V
ABB	MAX803MXR	Max	ZB	SC70	microproc -ve reset gen 3.3V
ABC	MAX803SXR	Max	ZB	SC70	microproc -ve reset gen 3.3V
ABD	MAX803RXR	Max	ZB	SC70	microproc -ve reset gen 3.0V

ABE	MAX803ZXR	Max	ZB	SC70	microproc -ve reset gen 2.5V
ABF	LM4041AIX3-1.2	Max	L	SC70	1.225V 0.1% shunt V ref
ABG	LM4041BIX3-1.2	Max	L	SC70	1.225V 0.2% shunt V ref
ABH	LM4041DIX3-1.2	Max	L	SC70	1.225V 0.5% shunt V ref
ABI	LM4041DIX3-1.2	Max	L	SC70	1.225V 1.5% shunt V ref
ABJ	LM4040AIX3-2.1	Max	L	SC70	2.048V 0.1% shunt V ref
ABK	LM4040BIX3-2.1	Max	L	SC70	2.048V 0.2% shunt V ref
ABL	LM4040CIX3-2.1	Max	L	SC70	2.048V 0.5% shunt V ref
ABM	LM4040DIX3-2.1	Max	L	SC70	2.048V 1% shunt V ref
ABN	LM4040AIX3-2.5	Max	L	SC70	2.500V 0.1% shunt V ref
ABO	LM4040BIX3-2.5	Max	L	SC70	2.500V 0.2% shunt V ref
ABP	LM4040CIX3-2.5	Max	L	SC70	2.500V 0.5% shunt V ref
ABQ	LM4040DIX3-2.5	Max	L	SC70	2.500V 1% shunt V ref
ABR	LM4040AIX3-3.0	Max	L	SC70	3.000V 0.1% shunt V ref
ABS	LM4040BIX3-3.0	Max	L	SC70	3.000V 0.2% shunt V ref
ABT	LM4040CIX3-3.0	Max	L	SC70	3.000V 0.5% shunt V ref
ABU	LM4040DIX3-3.0	Max	L	SC70	3.000V 1% shunt V ref
ABV	LM4040AIX3-4.1	Max	L	SC70	4.096V 0.1% shunt V ref
ABW	LM4040BIX3-4.1	Max	L	SC70	4.096V 0.2% shunt V ref
ABX	LM4040CIX3-4.1	Max	L	SC70	4.096V 0.5% shunt V ref

ABY	LM4040DIX3-4.1	Max	L	SC70	4.096V 1% shunt V ref
ABZ	LM4040AIX3-5.0	Max	L	SC70	5.000V 0.1% shunt V ref
AC	BCX51-100	Sie	P	SOT89	45V pnp audio hfe 100
AC	BCX51-10	Phi	P	SOT89	45V pnp audio hfe 100
AC	BCW60C	Phi	N	SOT23	BCY58-ix
AC	ZMV831A	Zet	I	SOD323	varicap hyperabrupt 28V 15pF@2V
ACs	BCW60C	Sie	N	SOT23	BCY58-ix
ACp	BCW60C	Phi	N	SOT23	BCY58-ix
ACt	BCW60C	Phi	N	SOT23	BCY58-ix
ACA	LM4040BIX3-5.0	Max	L	SC70	5.000V 0.2% shunt V ref
ACB	LM4040CIX3-5.0	Max	L	SC70	5.000V 0.5% shunt V ref
ACC	LM4040DIX3-5.0	Max	L	SC70	5.000V 1% shunt V ref
ACE	MAX6326_R31-T	Max	ZB	SC70	microproc -ve reset gen 3.080V
ACF	MAX6347_R46-T	Max	ZB	SC70	microproc +ve reset gen 4.630V
ACH	MAX6326_R23-T	Max	ZB	SC70	microproc -ve reset gen 2.320V
ACI	MAX6326_R26-T	Max	ZB	SC70	microproc -ve reset gen 2.630V
ACJ	MAX6328_R26-T	Max	ZB	SC70	microproc -ve reset gen 2.630V
ACK	MAX6346_R44-T	Max	ZB	SC70	microproc -ve reset gen 4.380V
ACL	MAX6347_R44-T	Max	ZB	SC70	microproc +ve reset gen 4.380V
ACM	MAX6348_R46-T	Max	ZB	SC70	microproc -ve reset gen 4.630V
ACN	MAX6348_R44-T	Max	ZB	SC70	microproc -ve reset gen 4.380V
ACN	2SC5661	Roh	N	VMT3	nnp HF 18V 50mA 1.5GHz
ACN	2SC4725	Roh	N	EMT3	nnp HF 18V 50mA 1.5GHz
ACN	2SC4082	Roh	N	UMT3	nnp HF 18V 50mA 1.5GHz

ACN	2SC3837K	Roh	N	SMT3	npn HF 18V 50mA 1.5GHz
ACO	MAX6346_R46-T	Max	ZB	SC70	microproc -ve reset gen 4.630V
ACP	MAX6326_R29-T	Max	ZB	SC70	microproc -ve reset gen 2.930V
ACP	2SC5661	Roh	N	VMT3	npn HF 18V 50mA 1.5GHz
ACP	2SC4725	Roh	N	EMT3	npn HF 18V 50mA 1.5GHz
ACP	2SC4082	Roh	N	UMT3	npn HF 18V 50mA 1.5GHz
ACP	2SC3837K	Roh	N	SMT3	npn HF 18V 50mA 1.5GHz
ACQ	MAX6327_R23-T	Max	ZB	SC70	microproc +ve reset gen 2.320V
ACR	MAX6327_R26-T	Max	ZB	SC70	microproc +ve reset gen 2.630V
ACS	MAX6327_R29-T	Max	ZB	SC70	microproc +ve reset gen 2.930V
ACT	MAX6327_R31-T	Max	ZB	SC70	microproc +ve reset gen 3.080V
ACU	MAX6328_R23-T	Max	ZB	SC70	microproc -ve reset gen 2.320V
ACV	MAX6328_R29-T	Max	ZB	SC70	microproc -ve reset gen 2.930V
ACW	MAX6326_R31-T	Max	ZB	SC70	microproc -ve reset gen 3.080V
AD	BCX51-160	Sie	P	SOT89	45V pnp audio hfe 160
AD	BCX51-16	Phi	P	SOT89	45V pnp audio hfe 160
AD	BCW60D	Phi	N	SOT23	BCY58-x
AD	ZMV832A	Zet	I	SOD323	varicap hyperabrupt 28V 22pF@2V
ADs	BCW60D	Sie	N	SOT23	BCY58-x
ADp	BCW60D	Phi	N	SOT23	BCY58-x
ADt	BCW60D	Ph	N	SOT23	BCY58-x
ADN	2SC3838K	Roh	N	SMT3	npn 11V 3.2GHz TV tuners
ADN	2SC4083	Roh	N	UMT3	npn 11V 3.2GHz TV tuners
ADN	2SC4726	Roh	N	EMT3	npn 11V 3.2GHz TV tuners
ADN	2SC5662	Roh	N	VMT3	npn 11V 3.2GHz TV tuners
ADN	2SC3838K	Roh	N	SMT3	npn 11V 3.2GHz TV tuners
ADP	2SC3838K	Roh	N	SMT3	npn 11V 3.2GHz TV tuners
ADP	2SC4043S	Roh	N	SPT	npn 11V 3.2GHz TV tuners

ADP	2SC3838K	Roh	N	SMT3	npn 11V 3.2GHz TV tuners
ADP	2SC4083	Roh	N	UMT3	npn 11V 3.2GHz TV tuners
ADP	2SC4726	Roh	N	EMT3	npn 11V 3.2GHz TV tuners
ADP	2SC5662	Roh	N	VMT3	npn 11V 3.2GHz TV tuners
AE	BCX52	Sie	P	SOT89	pnp 60V audio comp BCX55
AE	ZMV833A	Zet	I	SOD323	varicap hyperabrupt 28V 33pF@2V
AEN	2SC3839K	Roh	N		npn 20V 2.0GHz TV tuners
AF	ZMV834A	Zet	I	SOD323	varicap hyperabrupt 28V 47pF@2V
AFs	BCW60FF	Sie	N	SOT23	BCY58
AG	ZMV835A	Zet	I	SOD323	varicap hyperabrupt 28V 68pF@2V
AG	BCX70G	Phi	N	SOT23	BCY59-vii BC107
AGs	BCX70G	Sie	N	SOT23	BCY59-vii BC107
AGp	BCX70G	Phi	N	SOT23	BCY59-vii BC107
AGt	BCX70G	Phi	N	SOT23	BCY59-vii BC107
AG	BCX52-10	Sie	P	SOT89	60V pnp BCX52 hfe 100
AH	BCX70H	Phi	N	SOT23	BCY59-viii BC107B
AHs	BCX70H	Sie	N	SOT23	BCY59-viii BC107B
AHp	BCX70H	Phi	N	SOT23	BCY59-viii BC107B
AHt	BCX70H	Phi	N	SOT23	BCY59-viii BC107B
AH	BCP53	Mot	P	SOT223	pnp amp 80V 150mA
AH	BCX53	Sie	P	SOT89	pnp 80V audio comp BCX56
AH	ZMV930	Zet	I	SOD323	2.9-8.3pF hyperabrupt varicap
AJ	BCX70J	Phi	N	SOT23	BCY59-ix BC107
AJ s	BCX70J	Sie	N	SOT23	BCY59-ix BC107
AJp	BCX70J	Phi	N	SOT23	BCY59-ix BC107
AJt	BCX70J	Phi	N	SOT23	BCY59-ix BC107
AJ	ZMV931	Zet	I	SOD323	4 -13.5pF hyperabrupt varicap
AK	BCX70K	Phi	N	SOT23	BCY59-x BC107
AK	ZMV932	Zet	I	SOD323	5.5-17pF hyperabrupt varicap
AKs	BCX70K	Sie	N	SOT23	BCY59-x BC107
AKp	BCX70K	Phi	N	SOT23	BCY59-x BC107
AKp	BCX70K	Phi	N	SOT23	BCY59-x BC107
AK	BCX53-10	Sie	P	SOT89	pnp 80V BCX53 hfe 100

AL	BCX53-16	Sie	P	SOT89	80V pnp BCX53 hfe 100
AL	MMBTA55L	Mot	N	SOT23	pnp 25V (MPSA55)
AL	ZMV933	Zet	I	SOD323	12-42pF hyperabrupt varicap
ALs	BFP405	Sie	MQ	SOT343	
AM	MMBT3904W	Mot	N	SOT323	2N3904
AM	BCX52-16	Sie	P	SOT89	pnp 60V BCX52 hfe 160
AMs	BFP420	Sie	MQ	SOT343	nnp fT 25GHz 4.5V 35mA
AM	BSS64	Mot	N	SOT23	nnp 80V 0.1A fT 60MHz
AMs	BSS64	Sie	N	SOT23	nnp 80V 0.1A fT 60MHz
AMp	BSS64	Phi	N	SOT23	nnp 80V 0.1A fT 60MHz
AMt	BSS64	Phi	N	SOT23	nnp 80V 0.1A fT 60MHz
AM	ZMV933A	Zet	I	SOD323	12-42pF hyperabrupt varicap
AN	BCW60FN	Sie	N	SOT23	gp npn 35V 0.2A
ANs	BFP450	Sie	MQ	SOT343	nnp fT 25GHz 4.5V 100mA
AN	ZMV934	Zet	I	SOD323	25-95pF hyperabrupt varicap
AN	2SC5659	Roh	N	VMT3	nnp HF 25V 50mA 300MHz
AN	2SC4618	Roh	N	EMT3	nnp HF 25V 50mA 300MHz
AN	2SC4098	Roh	N	UMT3	nnp HF 25V 50mA 300MHz
AN	2SC2413K	Roh	N	SMT3	nnp HF 25V 50mA 300MHz
AO	BCW60AR	ITT	R	SOT23R	BCY58-vii
AO	ZMV934A	Zet	I	SOD323	25-95pF hyperabrupt varicap
AP	BCW60BR	ITT	R	SOT23R	BCY58-viii
AP	CMDZ2L4	CSC	I	SOD323	zener 250mW Iz 0.5mA 2.4V
AP	2SC5659	Roh	N	VMT3	nnp HF 25V 50mA 300MHz
AP	2SC4618	Roh	N	EMT3	nnp HF 25V 50mA 300MHz
AP	2SC4098	Roh	N	UMT3	nnp HF 25V 50mA 300MHz
AP	2SC2413K	Roh	N	SMT3	nnp HF 25V 50mA 300MHz
AP	2SC2058S	Roh	N	SPT	nnp HF 25V 50mA 300MHz
APs	BFP520	Sie	MQ	SOT343	nnp fT 40GHz 2.5V 40mA
A-Q	2PD1820AQ	Phi	N	SOT323	gp sw amp 50V npn hfe 85-170
AtQ	2PD1820AQ	Phi	N	SOT323	gp sw amp 50V npn hfe 85-170
AR	BCW60CR	ITT	R	SOT23R	BCY58-ix
AR	MSD709R	Mot	N		pnp gp 25V
AR	CMDZ43L	CSC	I	SOD323	zener 250mW Iz 0.5mA 43V
AR1	BSR40	Phi	P	SOT89	nnp 70V 1A 1.35W hfe 40-120

AR2	BSR41	Phi	P	SOT89	npn 70V 1A 1.35W hfe 100-300
AR3	BSR42	Phi	P	SOT89	npn 90V 1A 1.35W hfe 40-120
AR4	BSR43	Phi	P	SOT89	npn 90V 1A 1.35W hfe 100-300
AQ	2SC5659	Roh	N	VMT3	npn HF 25V 50mA 300MHz
AQ	2SC4618	Roh	N	EMT3	npn HF 25V 50mA 300MHz
AQ	2SC4098	Roh	N	UMT3	npn HF 25V 50mA 300MHz
AQ	2SC2413K	Roh	N	SMT3	npn HF 25V 50mA 300MHz
A-Q	2PD1820AR	Phi	N	SOT323	gp sw amp 50V npn hfe 120-240
AtQ	2PD1820AR	Phi	N	SOT323	gp sw amp 50V npn hfe 120-240
A-S	2PD1820AS	Phi	N	SOT323	gp sw amp 50V npn hfe 170-340
AtS	2PD1820AS	Phi	N	SOT323	gp sw amp 50V npn hfe 170-340
AS	BCW60DR	ITT	R	SOT23R	BCY58-x
AS	MSD709S	Mot	N		pnnp gp 25V
ASs	BAT18-05	Sie	B	SOT23	dual BAT18 RF pin
AS1	BST50	Mot	P	SOT89	npn darlington 0.5A 60V
AS2	BST51	Mot	P	SOT89	npn darlington 0.5A 80V
AS3	BST52	Mot	P	SOT89	npn darlington 0.5A 90V
AS3	BSP52	Mot	P	SOT223	npn darlington 0.5A hfe 2000
ATs	BAT18-06	Sie	A	SOT23	dual ca BAT18 RF pin
ATs	BFP540	Sie	MQ	SOT343	npn microwave
AUs	BAT18-04	Sie	D	SOT23	dual BAT18 RF pin
AU	BCW60GR	ITT	R	SOT23R	BCY58
AV	DAN212K	Roh	C		80V 100mA sw
AW	BCW60HR	ITT	R	SOT23R	BCY58
AX	BCX70JR	ITT	R	SOT23R	BCY59-ix
AY	BCX70KR	ITT	R	SOT23R	BCY59-x
AY	MMBD1000	Mot	C	SOT23	Si sw diode 30V 0.2A

*Last Updated on 10/07/2006
by GM4PMK*

GM4PMK's SMD Codebook

Codes beginning with 'B'

Code	Device	Manf	Base	Package	Leaded Equivalent/Data
B	MRF957	Mot	N	SOT323	npn RF ft 9GHz
B	BAS16-03W	Sie	I	SOD323	Varicap 18pF 1V
B	BB555	Sie	I	SCD80	Varicap 18pF 1V
B0	BZX399C4V3	Phi	I	SOD323	4.3V 0.3W zener
B0	HSMS-2810	HP	C	SOT23	HP2810 schottky
B0	HSMS-281B	HP	C	SOT323	HP2810 schottky
B08	SST6908	Sil	ZQ		2N6908 prot n-ch jfet
B09	SST6909	Sil	ZQ		2N6909 prot n-ch jfet
B1	BZX399C1V8	Phi	I	SOD323	1.8V 0.3W zener
B1	HSMS-2811	HP	K	SOT23	HP2811 schottky
B1	BAS40	Mot	C	SOT23	schottky sw diode
B10	SST6910	Sil	ZQ		2N6910 prot n-ch jfet
B2	BZX399C2V0	Phi	I	SOD323	2.0V 0.3W zener
B2	BSV52	Phi	N	SOT23	BSX20 12V ft 400MHz sw
B2p	BSV52	Phi	N	SOT23	BSX20 12V ft 400MHz sw
B2t	BSV52	Phi	N	SOT23	BSX20 12V ft 400MHz sw
B2	HSMS-2812	HP	D	SOT23	dual HP2810 schottky
B2	HSMS-281C	HP	D	SOT323	dual HP2810 schottky
B3	BZX399C2V2	Phi	I	SOD323	2.2V 0.3W zener
B3	HSMS-2813	HP	A	SOT23	dual ca HP2810 schottky
B3	MMBD717L	Mot	A	SOT323	dual ca schottky
B4	BZX399C2V4	Phi	I	SOD323	2.4V 0.3W zener
B4	BSV52R	Phi	R	SOT23R	BSX20
B4	HSMS-2814	HP	B	SOT23	dual cc HP2810 schottky
B5	BZX399C2V7	Phi	I	SOD323	2.7V 0.3W zener
B5	HSMS-2815	HP	S	SOT143	dual HP2810 schottky
B6	BZX399C3V0	Phi	I	SOD323	3.0V 0.3W zener
B6	BAT54A	Mot	A	SOT23	dual ca 30V schottky

B7	BZX399C3V3	Phi	I	SOD323	3.3V 0.3W zener
B7	HSMS-2817	HP	RQ	SOT143	HP2810 ring quad
B8	BZX399C3V6	Phi	I	SOD323	3.6V 0.3W zener
B8	HSMS-2818	HP	BQ	SOT143	HP2810 bridge quad
B9	BZX399C3V9	Phi	I	SOD323	3.9V 0.3W zener
B9	2SC4617	Mot	N	SC90	nnp gp
B26	BF570	Phi		SOT23	
BA	BCX54	Sie	P	SOT89	nnp AF 45V comp BCX51
BA	BCW61A	Phi	N	SOT23	BCY78-vii
BAp	BCW61A	Phi	N	SOT23	BCY78-vii
BAt	BCW61A	Phi	N	SOT23	BCY78-vii
BA	DAN217	Roh	D		80V 100mA dual
BA	BZX399C4V7	Phi	I	SOD323	4.7V 0.3W zener
BA	2SB1132	Roh	P	SC62	pnp sw 0.5A 40V
BA	1SS154	Tosh	C	SC59	UHF to S-Band mixer
BB	BCW61B	Phi	N	SOT23	BCY78-viii
BBs	BCW61B	Sie	N	SOT23	BCY78-viii
BBp	BCW61B	Phi	N	SOT23	BCY78-viii
BBt	BCW61B	Phi	N	SOT23	BCY78-viii
BB	BAR81	Sie	NQ	SOT143	Dual pin shunt switch
BB	BZX399C5V1	Phi	I	SOD323	5.1V 0.3W zener
BBs	BAR81W	Sie	NQ	SOT343	Dual pin shunt switch
BB	1SV128	Tosh	C	SC59	pin attenuator
BC	BCW61C	Phi	N	SOT23	BCY78-ix
BCs	BCW61C	Sie	N	SOT23	BCY78-ix
BC	BCX54-10	Sie Phi	P	SOT89	nnp hfe100
BC	BZX399C5V6	Phi	I	SOD323	5.6V 0.3W zener
BCp	BCW61C	Phi	N	SOT23	BCY78-ix
BCt	BCW61C	Phi	N	SOT23	BCY78-ix
BD	BCW61D	Phi	N	SOT23	BCY78-x
BDs	BCW61D	Sie	N	SOT23	BCY78-x
BDp	BCW61D	Phi	N	SOT23	BCY78-x
BDt	BCW61D	Phi	N	SOT23	BCY78-x

BD	BCX54-16	Sie	P	SOT89	npn hfe160 comp BCX51-16
BD	BZX399C6V2	Phi	I	SOD323	6.2V 0.3W zener
BD	ZHCS400	Zet	C	SOT23	40V 0.4A schottky diode
BD	1SS271	Tosh	D	SC59	dual series mixer/detector UHF to S-band
BE	BAS70	Mot	C	SOT23	schottky sw diode
BE	BCX55	Sie	P	SOT89	npn AF 60V comp BCX52
BE	BZX399C6V8	Phi	I	SOD323	6.8V 0.3W zener
BE	1SV252	Tosh	D	SC59	dual series pin diode attenuator
BF	BCW61FF	Sie	N	SOT23	low noise BCW61
BF	BZX399C7V5	Phi	I	SOD323	7.5V 0.3W zener
BF	2SB1132T		P	SC62	pnnp sw
BF	1SS268	Tosh	B	SC59	dual cc pin sw
BF	1SS312	Tosh	B	SC70	dual cc pin sw
BF	1SS364	Tosh	B	SSM	dual cc pin sw
BG	BCX71G	Phi	N	SOT23	BCY79-vii
BGs	BCX71G	Sie	N	SOT23	BCY79-vii
BGp	BCX71G	Phi	N	SOT23	BCY79-vii
BGt	BCX71G	Phi	N	SOT23	BCY79-vii
BG	BCX55-10	Sie Phi	P	SOT89	npn hfe 100
BG	BZX399C8V2	Phi	I	SOD323	8.2V 0.3W zener
BG	1SS269	Tosh	A	SC59	dual ca pin sw
BG	1SS313	Tosh	A	SC70	dual ca pin sw
BH	BCX71H	Phi	N	SOT23	BCY79-viii
BHs	BCX71H	Sie	N	SOT23	BCY79-viii
BHp	BCX71H	Phi	N	SOT23	BCY79-viii
BHt	BCX71H	Phi	N	SOT23	BCY79-viii
BH	BCP56	Mot	P	SOT223	npn amp 80V 150mA
BH	BCX56	Sie	P	SOT89	npn AF 80V
BH	BZX399C9V1	Phi	I	SOD323	9.1V 0.3W zener i
BH	1SS295	Tosh	D	SC59	dual series mixer/detector UHF
BJ	BCX71J	Phi	N	SOT23	BCY79-ix
BJs	BCX71J	Sie	N	SOT23	BCY79-ix

BJp	BCX71J	Phi	N	SOT23	BCY79-ix
BJt	BCX71J	Phi	N	SOT23	BCY79-ix
BJ	BZX399C10	Phi	I	SOD323	10V 0.3W zener
BK	BCP56-10	Mot	P	SOT223	npn amp 80V 150mA
BK	BCX71K	Phi	N	SOT23	BCY79
BKs	BCX71K	Sie	N	SOT23	BCY79
BKp	BCX71K	Phi	N	SOT23	BCY79
BKt	BCX71K	Phi	N	SOT23	BCY79
BK	BCX56-10	Sie	P	SOT89	npn hfe 100
BK	BZX399C11	Phi	I	SOD323	11V 0.3W zener
BL	MBD54DW	Mot	DL	SOT363	2x schottky detector diodes
BL	BCP56-16	Mot	P	SOT223	npn amp 80V 150mA
BL	BCX56-16	Sie	P	SOT89	npn hfe 160
BL	BZX399C12	Phi	I	SOD323	12V 0.3W zener
BL	BGA310	Sie	GQ	SOT143	MMIC amp 9dB @1GHz
BLs	BGA420	Sie	HQ	SOT343	MMIC amp 13 dB @1.8GHz
BM	BSS63L	Mot	N	SOT23	100v pnp comp BSS64
BMp	BSS63	Phi	N	SOT23	100v pnp comp BSS64
BMt	BSS63	Phi	N	SOT23	100v pnp comp BSS64
BM	BCX55-16	Sie	P	SOT89	npn hfe 160
BM	BGA312	Sie	GQ	SOT143	MMIC amp 11dB @1GHz
BM	BZX399C13	Phi	I	SOD323	13V 0.3W zener
BMs	BG427	Sie	HQ	SOT343	MMIC amp 18 dB @1.8GHz
BNs	BCW61FN	Sie	N	SOT23	low noise BCW61
BN	BZX399C15	Phi	I	SOD323	15V 0.3W zener
BN	BGA318	Sie	GQ	SOT143	MMIC amp 16dB @1GHz
BO	BCW61AR	Phi	N	SOT23	BCX78, BCY78-vii
BP	BCW61BR	Phi	N	SOT23	BCY78-viii
BP	BZX399C16	Phi	I	SOD323	16V 0.3W zener
BP	CMDZ2L5	CSC	I	SOD323	zener 250mW Iz 0.5mA 2.5V
BQ	BZX399C18	Phi	I	SOD323	18V 0.3W zener in SOD323
BQ	2PB709AQ	Phi	N	SC-59	PNP 45V 0.1A hfe 160-260
BQ	2SC2412K	Roh	N	SMT3	npn gp 50V 0.15A hfe 120-270
BQ	2SC4081	Roh	N	UMT3	see 2SC2412K above

BQ	2SC4617	Roh	N	EMT3	see 2SC2412K above
BQ	2SC5658	Roh	N	VMT3	see 2SC2412K above
BR	BCW61CR	Phi	N	SOT23	BCY78-ix
BQ	2SC2412K	Roh	N	SMT3	nnp gp 50V 0.15A hfe 180-390
BQ	2SC4081	Roh	N	UMT3	see 2SC2412K above
BQ	2SC4617	Roh	N	EMT3	see 2SC2412K above
BQ	2SC5658	Roh	N	VMT3	see 2SC2412K above
BR	MSB1218A	Mot	N	SOT323	gp pnp 45V
BR	BZX399C20	Phi	I	SOD323	20V 0.3W zener
BR	2PB709AR	Phi	N	SC-59	pnp45V 0.1A hfe 210-340
BR	CMDZ47L	CSC	I	SOD323	zener 250mW Iz 0.5mA 47V
BR1	BSR30	Phi	P	SOT89	pnp 70V 1A 1.35W hfe 40-120
BR2	BSR31	Phi	P	SOT89	pnp 70V 1A 1.35W hfe 100-300
BR4	BSR33	Phi	P	SOT89	pnp 90V 1A 1.35W hfe 100-300
BS	BCW61DR	Phi	R	SOT23	BCY78-x
BS	BZX399C22	Phi	I	SOD323	22V 0.3W zener
BS	2SC2412K	Roh	N	SMT3	nnp gp 50V 0.15A hfe 270-560
BS	2SC4081	Roh	N	UMT3	see 2SC2412K above
BS	2SC4617	Roh	N	EMT3	see 2SC2412K above
BS	2SC5658	Roh	N	VMT3	see 2SC2412K above
BS	2PB709AS	Phi	N	SC-59	pnp 45V 0.1A hfe 290-460
BS1	BST60	Mot	P	SOT89	pnp darlington 0.5A 60V
BS2	BST61	Mot	P	SOT89	pnp darlington 0.5A 80V
BS3	BST62	Mot	P	SOT89	pnp darlington 0.5A 90V
BS3	BSP62	Mot	P	SOT89	pnp darlington 0.5A hfe 2000
BT	BZX399C24	Phi	I	SOD323	24V 0.3W zener
BT2	BSP16	Mot	P	SOT223	pnp -300V 1A
BT2	BST16	Phi	P	SOT89	pnp -300V 1A
BU	BCX71GR	Phi	N	SOT23	BCX79-vii
BU	BZX399C27	Phi	I	SOD323	27V 0.3W zener
BV	BZX399C30	Phi	I	SOD323	30V 0.3W zener
BW	BCW71HR	Phi	N	SOT23R	BCX79-viii
BW	BZX399C33	Phi	I	SOD323	33V 0.3W zener
BX	BCW71JR	Phi	N	SOT23R	BCX79-ix

BX	BZX399C36	Phi	I	SOD323	36V 0.3W zener
BY	BCW71KR	Phi	N	SOT23R	BCX79-x
BY	BZX399C39	Phi	I	SOD323	39V 0.3W zener
BZ	BZX399C43	Phi	I	SOD323	43V 0.3W zener

Last Updated on 10/07/2006
By GM4PMK

GM4PMK's SMD Codebook

Codes beginning with 'C'

Code	Device	Manf	Base	Package	Leaded Equivalent/Data
C	BB565	Sie	I	SCD80	uhf varicap 2-20pF
C	BB179B	Phi	I	SOD 523	UHF Varicap 2-11pF
C white	BAT165	Sie	I		40V 750mA sw Schottky
C	RN262CS	Roh	I	VMN2	HF pin diode
C	KV1832E	Tok	I	URD	uhf varicap 4-17pf
C0	HSMS-2820	HP	C	SOT23	HP2835 schottky
C0	HSMS-282B	HP	C	SOT323	HP2835 schottky
C06	DDX123JU	Dio	DO	SOT363	dual dtr pnp/npn 50V 0.1A 2k2/47k
C06	DDX123JK	Dio	DO	SOT26	dual dtr pnp/npn 50V 0.1A 2k2/47k
C07	DDX143TU	Dio	DO	SOT363	dual dtr pnp/npn 50V 0.1A R1 4k7
C07	DDX143TK	Dio	DO	SOT26	dual dtr pnp/npn 50V 0.1A R1 4k7
C1	HSMS-2821	HP	K	SOT23	HP2835 schottky
C1	BCW29	Phi	N	SOT23	BC178A
C1p	BCW29	Phi	N	SOT23	BC178A
C1t	BCW29	Phi	N	SOT23	BC178A
C1	BFQ51C	Phi	CX	SOT173	pnp BFR90A complement
C2	BCW30	Phi	N	SOT23	BC178B
C2p	BCW30	Phi	N	SOT23	BC178B
C2t	BCW30	Phi	N	SOT23	BC178B
C2	BFQ32C	Phi	CX	SOT173	pnp 4.5GHz 15V 100mA
C2	HSMS-2822	HP	D	SOT23	dual HP2835 schottky
C2	HSMS-282C	HP	D	SOT323	dual HP2835 schottky
C2	SST112	Tem	F	SOT23	J112 analog sw n-ch jfet
C2	EDZ5.6B	Roh	I	EMD2	150mW zener 5.6V
C2	VDZ5.6B	Roh	I	VMD2	150mW zener 5.6V
C2A	ZDC833A	Zet	B	SOT23	dual cc 28V varicap 15pF @2V
C3	HSMS-2823	HP	A	SOT23	dual HP2835 schottky

C3	BFQ23C	Phi	CX	SOT173	pnp complement BFP91A
C3	SMBT4126	Sie	N		2N4126
C3	1SS302		B		dual cc diode
C3	SST113	Tem	F	SOT23	J113 analog sw jfet
C3T	1PS226	Phi	D	SOT346	dual series 80V high seed diode
C4	BCW29R	Phi	R	SOT23R	BC178A
C4	HSMS-2824	HP	B	SOT23	dual HP2835 schottky
C5	MMBA811C5	Mot	N		2N5086 pnp hfe 135-270
C5	BCW30R	Phi	R	SOT23R	BC178B
C5	HSMS-2825	HP	S	SOT143	dual HP2835 schottky
C5	MMSZ5225	Vis	I	SOD123	zener 300mW 5% 3.0V
C5	EDZ30B	Roh	I	EMD2	150mW zener 30V
C5	VDZ30B	Roh	I	VMD2	150mW zener 30V
C5A	ZDC834A	Zet	B	SOT23	dual cc 28V varicap 47pF @2V
C6	MMBA811C6	Mot	N		2N5086 pnp hfe 200-400
C7	MMBA811C7	Mot	N		2N5086 pnp hfe 300-600
C7	HSMS-2827	HP	RQ	SOT143	HP2835 ring quad
C8	HSMS-2828	HP	BQ	SOT143	HP2835 bridge quad
C8	BCF30	SGS	N	SOT23	BC559B
C8	MMBA811C8	Mot	N		2N5086 pnp hfe 450-900
C11	SST111	Sil	F	SOT23	J111 n-ch fet
C12	SST112	Sil	F	SOT23	J112 n-ch fet
C12	DDX114TU	Dio	DO	SOT363	dual dtr pnp/npn 50V 0.1A R1 10k
C12	DDX114TK	Dio	DO	SOT26	dual dtr pnp/npn 50V 0.1A R1 10k
C13	SST113	Sil	F	SOT23	J113 n-ch fet
C13	DDX114EU	Dio	DO	SOT363	dual dtr pnp/npn 50V 0.1A 10k/10k
C13	DDX114EK	Dio	DO	SOT26	dual dtr pnp/npn 50V 0.1A 10k/10k
C14	DDX114YU	Dio	DO	SOT363	dual dtr pnp/npn 50V 0.1A 10k/47k
C14	DDX114YK	Dio	DO	SOT26	dual dtr pnp/npn 50V 0.1A 10k/47k
C17	DDX124EU	Dio	DP	SOT363	dual dtr pnp/npn 50V 0.1A 22k/22k
C17	DDX124EK	Dio	DP	SOT26	dual dtr pnp/npn 50V 0.1A 22k/22k
C20	DDX144EU	Dio	DO	SOT363	dual dtr pnp/npn 50V 0.1A 47k/47k
C20	DDX144EK	Dio	DO	SOT26	dual dtr pnp/npn 50V 0.1A 47k/47k
C38	SST5638	Sil	F	SOT23	2N5638

C39	SST5639	Sil	F	SOT23	2N5639
C40	SST5640	Sil	F	SOT23	2N5640
C41	SST4091	Sil	F	SOT23	2N4091
C42	SST4092	Sil	F	SOT23	2N4092
C43	SST4093	Sil	F	SOT23	2N4093
C48	CMHD4448TR	Vis	I	SOD123	1N4448 sw diode
C56	SST4856	Sil	F	SOT23	2N4856
C57	SST4857	Sil	F	SOT23	2N4857
C58	SST4858	Sil	F	SOT23	2N4858
C59	SST4859	Sil	F	SOT23	2N4859
C60	SST4860	Sil	F	SOT23	2N4860
C61	SST4861	Sil	F	SOT23	2N4861
C91	SST4391	Sil	F	SOT23	2N4391
C92	SST4392	Sil	F	SOT23	2N4392
C93	SST4393	Sil	F	SOT23	2N4393
CA	BCW61AR	Phi	R	SOT23R	BCY78-vii
CA	BCP68	Mot	P	SOT223	20V 1A npn
CA	ZMV829B	Zet	I	SOD323	varicap hyperab 28V 8.2pF@2V
CA	MMSZ4691	Vis	I	SOD123	zener 350mW 5% 6.2V
CA	MMBZ4691	Vis	C	SOT23	zener 350mW 5% 6.2V
CB	BCX68-10	Sie	P	SOT89	npn AF 20V 2A hfe 100
CB	BCW61BR	Phi	R	SOT23R	BCY78-viii
CB	ZMV830B	Zet	I	SOD323	varicap hyperabrupt 28V 10pF@2V
CC	BCW61CR	Phi	R	SOT23R	BCY78-ix
CC	BCX68-16	Sie	P	SOT89	npn AF 20V 2A hfe 160
CC	ZMV831B	Zet	I	SOD323	varicap hyperabrupt 28V 15pF@2V
CC	ZMDC831B	Zet	B	SOT323	dual cc ZMV831B (above)
CC1	CMHZ5221B	CSC	I	SOD123	zener 500mW 5% 2.4V
CC2	CMHZ5222B	CSC	I	SOD123	zener 500mW 5% 2.5V
CC3	CMHZ5223B	CSC	I	SOD123	zener 500mW 5% 2.7V
CC4	CMHZ5224B	CSC	I	SOD123	zener 500mW 5% 2.8V
CC5	CMHZ5225B	CSC	I	SOD123	zener 500mW 5% 3.0V
CC10	CMPZDC27V	CSC	B	SOT23	zener dual cc 350mW 27V
CC11	CMPZDC30V	CSC	B	SOT23	zener dual cc 350mW 30V

CC12	CMPZDC33V	CSC	B	SOT23	zener dual cc 350mW 33V
CC13	CMPZDC36V	CSC	B	SOT23	zener dual cc 350mW 36V
CC14	CMPZDC39V	CSC	B	SOT23	zener dual cc 350mW 39V
CC15	CMPZDC43V	CSC	B	SOT23	zener dual cc 350mW 43V
CC16	CMPZDC47V	CSC	B	SOT23	zener dual cc 350mW 47V
CCW3	CMPZDC2V4	CSC	B	SOT23	zener dual cc 350mW 2.4V
CCW4	CMPZDC2V7	CSC	B	SOT23	zener dual cc 350mW 2.7V
CCW5	CMPZDC3V0	CSC	B	SOT23	zener dual cc 350mW 3.0V
CCW6	CMPZDC3V3	CSC	B	SOT23	zener dual cc 350mW 3.3V
CCW7	CMPZDC3V6	CSC	B	SOT23	zener dual cc 350mW 3.6V
CCW8	CMPZDC3V9	CSC	B	SOT23	zener dual cc 350mW 3.9V
CCW9	CMPZDC4V3	CSC	B	SOT23	zener dual cc 350mW 4.3V
CCY1	CMPZDC11V	CSC	B	SOT23	zener dual cc 350mW 11V
CCY2	CMPZDC12V	CSC	B	SOT23	zener dual cc 350mW 12V
CCY3	CMPZDC13V	CSC	B	SOT23	zener dual cc 350mW 13V
CCY4	CMPZDC15V	CSC	B	SOT23	zener dual cc 350mW 15V
CCY5	CMPZDC16V	CSC	B	SOT23	zener dual cc 350mW 16V
CCY6	CMPZDC18V	CSC	B	SOT23	zener dual cc 350mW 18V
CCY7	CMPZDC20V	CSC	B	SOT23	zener dual cc 350mW 20V
CCY8	CMPZDC22V	CSC	B	SOT23	zener dual cc 350mW 22V
CCY9	CMPZDC24V	CSC	B	SOT23	zener dual cc 350mW 24V
CCZ1	CMPZDC4V7	CSC	B	SOT23	zener dual cc 350mW 4.7V
CCZ2	CMPZDC5V1	CSC	B	SOT23	zener dual cc 350mW 5.1V
CCZ3	CMPZDC5V6	CSC	B	SOT23	zener dual cc 350mW 5.6V
CCZ4	CMPZDC6V2	CSC	B	SOT23	zener dual cc 350mW 6.2V
CCZ5	CMPZDC6V8	CSC	B	SOT23	zener dual cc 350mW 6.8V
CCZ6	CMPZDC7V5	CSC	B	SOT23	zener dual cc 350mW 7.5V
CCZ7	CMPZDC8V2	CSC	B	SOT23	zener dual cc 350mW 8.2V
CCZ8	CMPZDC9V1	CSC	B	SOT23	zener dual cc 350mW 9.1V
CCZ9	CMPZDC10V	CSC	B	SOT23	zener dual cc 350mW 10V
CD	BCW61DR	Phi	R	SOT23R	BCY78-x
CD	BCX68-25	Sie	P	SOT89	npn AF 20V 2A hfe 250
CD	ZMV832B	Zet	I	SOD323	varicap hyperabrupt 28V 22pF@2V
CD	ZMDC832B	Zet	B	SOT323	dual cc ZMV832B (above)

CDs	BSS81B	Sie	N	SOT23	npn sw 35V 0.8A
CD1	CMHZ5226B	CSC	I	SOD123	zener 500mW 5% 3.3V
CD2	CMHZ5227B	CSC	I	SOD123	zener 500mW 5% 3.6V
CD3	CMHZ5228B	CSC	I	SOD123	zener 500mW 5% 3.9V
CD4	CMHZ5229B	CSC	I	SOD123	zener 500mW 5% 4.3V
CD5	CMHZ5230B	CSC	I	SOD123	zener 500mW 5% 4.7V
CE	BCP69	Mot	P	SOT223	20V 1A pnp
CE	ZMV833B	Zet	I	SOD323	varicap hyperabrupt 28V 33pF@2V
CEs	BSS79B	Sie	N	SOT23	npn 40V 0.8A hfe 40-120
CE1	CMHZ5231B	CSC	I	SOD123	zener 500mW 5% 5.1V
CE2	CMHZ5232B	CSC	I	SOD123	zener 500mW 5% 5.6V
CE3	CMHZ5233B	CSC	I	SOD123	zener 500mW 5% 6.0V
CE4	CMHZ5234B	CSC	I	SOD123	zener 500mW 5% 6.2V
CE5	CMHZ5235B	CSC	I	SOD123	zener 500mW 5% 6.8V
CEC	BC860	Phi	P	SOT89	BC369 npn 20V 1A
CF	BSS79C	Sie	N	SOT23	npn 40V 0.8A hfe 100 min
CF	BCX69-10	Sie	P	SOT89	pnp AF 20V 2A hfe 100
CF	ZMV834B	Zet	I	SOD323	varicap hyperabrupt 28V 47pF@2V
CF	MMSZ4681	Vis	I	SOD123	zener 350mW 5% 2.4V
CF	MMSZ4681	Vis	C	SOT23	zener 350mW 5% 2.4V
CF1	CMHZ5236B	CSC	I	SOD123	zener 500mW 5% 7.5V
CF2	CMHZ5237B	CSC	I	SOD123	zener 500mW 5% 8.2V
CF3	CMHZ5238B	CSC	I	SOD123	zener 500mW 5% 8.7V
CF4	CMHZ5239B	CSC	I	SOD123	zener 500mW 5% 9.1V
CF5	CMHZ5240B	CSC	I	SOD123	zener 500mW 5% 10V
CG	BCX71GR	Phi	R	SOT23R	BCY79-vii
CG	BCX69-16	Sie	P	SOT89	pnp AF 20V 2A hfe 160
CG	ZMV835B	Zet	I	SOD323	varicap hyperabrupt 28V 68pF@2V
CGs	BSS81C	Sie	N	SOT23	npn sw 35V 1A
CH	MMSZ4682	Vis	I	SOD123	zener 350mW 5% 2.7V
CH	MMBZ4682	Vis	C	SOT23	zener 350mW 5% 2.7V
CHs	BSS80B	Sie	N	SOT23	pnp 40V 0.8A hfe 40-120
CH	BSS82BL	Mot	N	SOT23	pnp 60V
CH	BCX69-25	Sie	N	SOT89	pnp AF 20V 2A hfe 250

CH1	CMHZ5241B	CSC	I	SOD123	zener 500mW 5% 11V
CH2	CMHZ5242B	CSC	I	SOD123	zener 500mW 5% 12V
CH3	CMHZ5243B	CSC	I	SOD123	zener 500mW 5% 13V
CH4	CMHZ5244B	CSC	I	SOD123	zener 500mW 5% 14V
CH5	CMHZ5245B	CSC	I	SOD123	zener 500mW 5% 15V
CJ	MMSZ4683	Vis	I	SOD123	zener 350mW 5% 3.0V
CJ	MMBZ4683	Vis	C	SOT23	zener 350mW 5% 3.0V
CJs	BSS80C	Sie	N	SOT23	pnp 40V 0.8A hfe 100 min
CJ1	CMHZ5246B	CSC	I	SOD123	zener 500mW 5% 16V
CJ2	CMHZ5247B	CSC	I	SOD123	zener 500mW 5% 17V
CJ3	CMHZ5248B	CSC	I	SOD123	zener 500mW 5% 18V
CJ4	CMHZ5249B	CSC	I	SOD123	zener 500mW 5% 19V
CJ5	CMHZ5250B	CSC	I	SOD123	zener 500mW 5% 20V
CK	BCX71JR	Phi	R	SOT23R	BCY79-viii
CK	MMSZ4684	Vis	I	SOD123	zener 350mW 5% 3.3V
CK	MMBZ4684	Vis	C	SOT23	zener 350mW 5% 3.3V
CK1	CMHZ5251B	CSC	I	SOD123	zener 500mW 5% 22V
CK2	CMHZ5252B	CSC	I	SOD123	zener 500mW 5% 24V
CK3	CMHZ5253B	CSC	I	SOD123	zener 500mW 5% 25V
CK4	CMHZ5254B	CSC	I	SOD123	zener 500mW 5% 27V
CK5	CMHZ5255B	CSC	I	SOD123	zener 500mW 5% 28V
CLs	BSS82B	Sie	N	SOT23	pnp 60V 0.8A hfe 40-120
CM	MMSZ4685	Vis	I	SOD123	zener 350mW 5% 3.6V
CM	MMBZ4685	Vis	C	SOT23	zener 350mW 5% 3.6V
CMs	BSS82C	Sie	N	SOT23	pnp 60V 0.8A hfe 100 min
CM1	CMHZ5256B	CSC	I	SOD123	zener 500mW 5% 30V
CM2	CMHZ5257B	CSC	I	SOD123	zener 500mW 5% 33V
CM3	CMHZ5258B	CSC	I	SOD123	zener 500mW 5% 36V
CM4	CMHZ5259B	CSC	I	SOD123	zener 500mW 5% 39V
CM5	CMHZ5260B	CSC	I	SOD123	zener 500mW 5% 43V
CN	MMSZ4686	Vis	I	SOD123	zener 350mW 5% 3.9V
CN	MMBZ4686	Vis	C	SOT23	zener 350mW 5% 3.9V
CN1	CMHZ5261B	CSC	I	SOD123	zener 500mW 5% 47V
CN2	CMHZ5262B	CSC	I	SOD123	zener 500mW 5% 51V

CN3	CMHZ5263B	CSC	I	SOD123	zener 500mW 5% 56V
CN4	CMHZ5264B	CSC	I	SOD123	zener 500mW 5% 60V
CN5	CMHZ5265B	CSC	I	SOD123	zener 500mW 5% 62V
CO3	CMHD2003TR	Vis	I	SOD123	sw
CP	MMSZ4687	Vis	I	SOD123	zener 350mW 5% 4.3V
CP	MMBZ4687	Vis	C	SOT23	zener 350mW 5% 4.3V
CP	CMDZ2L7	CSC	I	SOD323	zener 250mW Iz 0.5mA 2.7V
CP1	CMHZ5266B	CSC	I	SOD123	zener 500mW 5% 68V
CP2	CMHZ5267B	CSC	I	SOD123	zener 500mW 5% 75V
CP3	CMHZ5268B	CSC	I	SOD123	zener 500mW 5% 82V
CP4	CMHZ5269B	CSC	I	SOD123	zener 500mW 5% 87V
CP5	CMHZ5270B	CSC	I	SOD123	zener 500mW 5% 91V
CQ	2SC2411K	Roh	N		npn darlington
CQ	MSD710Q	Mot	N	SOT346	pnv gp 25V 150mA
CR	MSD701R	Mot	N	SOT346	pnv gp 25V 150mA
CR1	CMHZ5271B	CSC	I	SOD123	zener 500mW 5% 100V
CR2	CMHZ5272B	CSC	I	SOD123	zener 500mW 5% 110V
CR3	CMHZ5273B	CSC	I	SOD123	zener 500mW 5% 120V
CR4	CMHZ5274B	CSC	I	SOD123	zener 500mW 5% 130V
CR5	CMHZ5275B	CSC	I	SOD123	zener 500mW 5% 140V
CS1	CMHZ5276B	CSC	I	SOD123	zener 500mW 5% 150V
CS2	CMHZ5277B	CSC	I	SOD123	zener 500mW 5% 160V
CS3	CMHZ5278B	CSC	I	SOD123	zener 500mW 5% 170V
CS4	CMHZ5279B	CSC	I	SOD123	zener 500mW 5% 180V
CS5	CMHZ5280B	CSC	I	SOD123	zener 500mW 5% 190V
CT	MMSZ4688	Vis	I	SOD123	zener 350mW 5% 4.7V
CT	MMBZ4688	Vis	C	SOT23	zener 350mW 5% 4.7V
CT1	CMHZ5281B	CSC	I	SOD123	zener 500mW 5% 200V
CU	MMSZ4689	Vis	I	SOD123	zener 350mW 5% 5.1V
CU	MMBZ4689	Vis	CI	SOT23	zener 350mW 5% 5.1V
CV	MMSZ4690	Vis	I	SOD123	zener 350mW 5% 5.6V
CV	MMBZ4690	Vis	C	SOT23	zener 350mW 5% 5.6V
CX	MMSZ4692	Vis	I	SOD123	zener 350mW 5% 6.8V
CX	MMBZ4692	Vis	C	SOT23	zener 350mW 5% 6.8V

CY	MMSZ4693	Vis	I	SOD123	zener 350mW 5% 7.5V
CY	MMBZ4693	Vis	C	SOT23	zener 350mW 5% 7.5V
CZ	MMSZ4694	Vis	I	SOD123	zener 350mW 5% 8.2V
CZ	MMBZ4694	Vis	C	SOT23	zener 350mW 5% 8.2V

Last Updated on 10/07/2006
By GM4PMK

GM4PMK's SMD Codebook

Codes beginning with 'D'

Code	Device	Manf	Base	Package	Leaded Equivalent/Data
D	BB659	Sie	I	SCD80	2-38p varicap
D	BAS21-03W	Sie	I	SOD323	
D	1SS376	Roh	I	USM	300V 50mA sw
D	MRF577	Mot	N	SOT323	npn RF fT 7GHz
D0	HSMP-3800	HP	C	SOT23	HP3800 pin atten diode
D1	BCW31	Phi	N	SOT23	BC108A
D1p	BCW31	Phi	N	SOT23	BC108A
D1t	BCW31	Phi	N	SOT23	BC108A
D1	HSMP-3801	HP	K		HP3800 pin atten diode
D1	SST211	Tem	XQ		n-ch mosfet 30V 1nS
D1	AZ23C2V7	Dio	A	SOT23	dual ca zener 2.7V 0.3W
D1	MMSZ5226	Vis	I	SOD123	zener 300mW 5% 3.3V
D2	BCW32	Phi	N	SOT23	BC108B
D2	MMSZ5227	Vis	I	SOD123	zener 300mW 5% 3.6V
D2p	BCW32	Phi	N	SOT23	BC108B
D2t	BCW32	Phi	N	SOT23	BC108B
D2	HSMP-3802	HP	D		dual HP3800 pin atten diode
D2	AZ23C3V0	Dio	A	SOT23	dual ca zener 3.0V 0.3W
D3	MMSZ5228	Vis	I	SOD123	zener 300mW 5% 3.9V
D3	BCW33	Phi	N	SOT23	BC108C
D3	AZ23C3V3	Dio	A	SOT23	dual ca zener 3.3V 0.3W
D3p	BCW33	Phi	N	SOT23	BC108C
D3t	BCW33	Phi	N	SOT23	BC108C
D3B	RB420D	Roh	C		25V 100mA schottky
D3E	RB411D	Roh	C	SOT23	20V 500mA schottky
D3J	RB420D	Roh	C		25V 100mA schottky
D3L	RB706D-40	Roh	B		dual 45V 30mA schottky
D4	BCW31R	Phi	R	SOT23R	BC108A

D4	HSMP-3804	HP	B	SOT23	dual cc HP3800 pin atten diode
D4	AZ23C3V6	Dio	A	SOT23	dual ca zener 3.6V 0.3W
D4	MMSZ5229	Vis	I	SOD123	zener 300mW 5% 4.3V
D5	SST215	Tem	XQ		n-ch mosfet 20V 1nS
D5	BCW32R	Phi	R	SOT23R	BC108B
D5	AZ23C3V9	Dio	A	SOT23	dual ca zener 3.9V 0.3W
D1	MMSZ5230	Vis	I	SOD123	zener 300mW 5% 4.7V
D6	BCW33R	Phi	R	SOT23R	BC108C
D6	MMBC1622D6	Mot	N		MPS3904 hfe 200-400
D6	AZ23C4V3	Dio	A	SOT23	dual ca zener 4.3V 0.3W
D7p	BCF32	Phi	N	SOT23	
D7t	BCF32	Phi	N	SOT23	
D7	MMBC1622D7	Mot	N		MPS3904 hfe 300-600
D7	AZ23C4V7	Dio	A	SOT23	dual ca zener 4.7V 0.3W
D7C	FTZC6.2N	Roh	DZ	SMD5	quad ESD ca zener 6.82V 0.2W
D8	AZ23C5V1	Dio	A	SOT23	dual ca zener 5.1V 0.3W
D8p	BCF33	Phi	N	SOT23	BC146/03
D9	AZ23C5V6	Dio	A	SOT23	dual ca zener 5.6V 0.3W
D9	1SS401	Tosh	C	USC	schottky 20V 0.5A
D10	AZ23C6V2	Dio	A	SOT23	dual ca zener 6.2V 0.3W
D11	SST211	Sil	XQ		n-ch mosfet sw
D11	AZZ23C6V8	Dio	A	SOT23	dual ca zener 6.8V 0.3W
D12	AZZ23C7V5	Dio	A	SOT23	dual ca zener 7.5V 0.3W
D13	SST213	Sil	XQ		n-ch mosfet sw
D13	AZZ23C8V2	Dio	A	SOT23	dual ca zener 8.2V 0.3W
D14	AZZ23C9V1	Dio	A	SOT23	dual ca zener 9.1V 0.3W
D15	AZZ23C10	Dio	A	SOT23	dual ca zener 10V 0.3W
D15	SST215	Sil	XQ		n-ch mosfet sw
D16	AZZ23C11	Dio	A	SOT23	dual ca zener 11V 0.3W
D17	AZZ23C12	Dio	A	SOT23	dual ca zener 12V 0.3W
D18	AZZ23C13	Dio	A	SOT23	dual ca zener 13V 0.3W
D19	AZZ23C15	Dio	A	SOT23	dual ca zener 15V 0.3W
D20	AZZ23C16	Dio	A	SOT23	dual ca zener 16V 0.3W
D21	AZZ23C18	Dio	A	SOT23	dual ca zener 18V 0.3W

D22	AZZ23C20	Dio	A	SOT23	dual ca zener 20V 0.3W
D23	AZZ23C22	Dio	A	SOT23	dual ca zener 22V 0.3W
D24	AZZ23C24	Dio	A	SOT23	dual ca zener 24V 0.3W
D25	AZZ23C27	Dio	A	SOT23	dual ca zener 27V 0.3W
D26	AZZ23C30	Dio	A	SOT23	dual ca zener 30V 0.3W
D27	AZZ23C33	Dio	A	SOT23	dual ca zener 33V 0.3W
D28	AZZ23C36	Dio	A	SOT23	dual ca zener 36V 0.3W
D29	AZZ23C39	Dio	A	SOT23	dual ca zener 39V 0.3W
D30	AZZ23C43	Dio	A	SOT23	dual ca zener 43V 0.3W
D31	AZZ23C47	Dio	A	SOT23	dual ca zener 47V 0.3W
D32	AZZ23C51	Dio	A	SOT23	dual ca zener 51V 0.3W
D58	FLLD261	Zet	B	SOT23	low leakage dual cc Si diode
D63	FLLD263	Zet	A	SOT23	low leakage dual ca Si diode
D76	BAR18J	SGS	I	SOD232	schottky 70V 15mA
D76	BAR18	SGS	C	SOT23	schottky 70V 30mA
D85	BAT17DS	SGS	D		2xBA481
D86	BAT54J	ST	I	SOD232	schottky 30V 300mA
D86	BAT54	ST	C	SOT23	schottky 30V 300mA
D87	BAT54C	ST	B	SOT23	dual cc schottky 30V 300mA
D88	BAT54S	ST	D	SOT23	dual series schottky 30V 300mA
D94	BAR42	SGS	C	SOT23	schottky 30V 100mA
D95	BAR43	SGS	C	SOT23	schottky 30V 100mA
D96	BAS70-04	SGS	D	SOT23	2xBAR18
D97	BAS70-05	SGS	B	SOT23	2xBAR18
D98	BAS70-06	SGS	A	SOT23	2xBAR18
DA	BCW67A	SGS	N	SOT23	pnP 32V 0.8A hfe 100 min
DA	BF622	Sie	P	SOT89	npn 250V video o/p
DA	MMSZ4708	Vis	I	SOD123	zener 350mW 5% 22V
DA	MMBZ4708	Vis	C	SOT23	zener 350mW 5% 22V
DA5	BAR43S	SGS	D	SOT23	2xBAR43
DB	BCW67B	SGS	N	SOT23	pnP 32V 0.8A hfe 160 min
DB	BF623	Sie	P	SOT89	pnP 250V video o/p
DB1	BAR43A	SGS	A	SOT23	2xBAR43
DB2	BAR43C	SGS	B	SOT23	2xBAR43

DC	BCW67C	SGS	N	SOT23	pnnp 32V 0.8A hfe 250 min
DC	BF720	Mot	P	SOT223	npn 1.5W 300V
DC	BFN20	Sie	P	SOT89	npn video o/p 300V comp BFN21
DC	MMSZ4695	Vis	I	SOD123	zener 350mW 5% 8.7V
DC	MMBZ4695	Vis	C	SOT23	zener 350mW 5% 8.7V
DD	BFN16	Sie	P	SOT89	npn video o/p 250V comp BFN17
DD	MMSZ4696	Vis	I	SOD123	zener 350mW 5% 9.1V
DD	MMBZ4696	Vis	C	SOT23	zener 350mW 5% 9.1V
DE	BFN18	Sie	P	SOT89	npn video o/p 300V comp BFN19
DE	MMSZ4697	Vis	I	SOD123	zener 350mW 5% 10V
DE	MMBZ4697	Vis	C	SOT23	zener 350mW 5% 10V
DF	BCW68F	SGS	N	SOT23	pnnp 45V 0.8A hfe 100 min
DF	BF721	Mot	P	SOT223	pnnp 1.5W 300V
DF	BFN21	Sie	P	SOT89	pnnp 300V video o/p comp BFN20
DF	MMSZ4698	Vis	I	SOD123	zener 350mW 5% 11V
DF	MMBZ4698	Vis	C	SOT23	zener 350mW 5% 11V
DG	BCW68G	SGS	N	SOT23	pnnp 45V 0.8A hfe 160 min
DG	BFN17	Sie	P	SOT89	pnnp video o/p 250V comp BFN16
DH	BCW68H	SGS	N	SOT23	pnnp 45V 0.8A hfe 250 min
DH	BCW68G	Mot	N	SOT23	pnnp 45V 0.8A hfe 160 min
DH	MMBD2000	Mot	C	SOT323	Si sw diode 20V 0.2A SOT323
DH	BFN19	Sie	P	SOT89	pnnp video o/p 300V comp BFN18
DH	MMSZ4699	Vis	I	SOD123	zener 350mW 5% 12V
DH	MMBZ4699	Vis	C	SOT23	zener 350mW 5% 12V
DJ	MMSZ4700	Vis	I	SOD123	zener 350mW 5% 13V
DJ	MMBZ4700	Vis	C	SOT23	zener 350mW 5% 13V
DK	BCX42	Sie	N	SOT23	gp audio pnnp 125V comp BCX41
DK	MMSZ4701	Vis	I	SOD123	zener 350mW 5% 14V
DK	MMBZ4701	Vis	C	SOT23	zener 350mW 5% 14V
DM	MMSZ4702	Vis	I	SOD123	zener 350mW 5% 15V
DM	MMBZ4702	Vis	C	SOT23	zener 350mW 5% 15V
DN	MMSZ4703	Vis	I	SOD123	zener 350mW 5% 16V
DN	MMBZ4703	Vis	CI	SOT23	zener 350mW 5% 16V
DP	MMBD2010	Mot	B	SOT323	dual cc MMBD2000

DP	MMSZ4704	Vis	I	SOD123	zener 350mW 5% 17V
DP	MMBZ4704	Vis	C	SOT23	zener 350mW 5% 17V
DP	CMDZ2L8	CSC	I	SOD323	zener 250mW Iz 0.5mA 2.8V
DQ	2P710AQ	Phi	N	SOT346	gp pnp hfe 85-170
DR	2P710AR	Phi	N	SOT346	gp pnp hfe 120-240
DS	2P710AS	Phi	N	SOT346	gp pnp hfe 170-340
DT	BCW67AR	SGS	R	SOT23R	pnp 32V 0.8A hfe 100 min
DT	MMSZ4705	Vis	I	SOD123	zener 350mW 5% 18V
DT	MMBZ4705	Vis	C	SOT23	zener 350mW 5% 18V
DU	BCW67BR	SGS	R	SOT23R	pnp 32V 0.8A hfe 160 min
DU	MMSZ4706	Vis	I	SOD123	zener 350mW 5% 19V
DU	MMBZ4706	Vis	C	SOT23	zener 350mW 5% 19V
DV	MMSZ4707	Vis	I	SOD123	zener 350mW 5% 20V
DV	MMBZ4707	Vis	C	SOT23	zener 350mW 5% 20V
DW	BCW67CR	SGS	R	SOT23R	pnp 32V 0.8A hfe 250 min
DX	BCW68FR	SGS	R	SOT23R	pnp 45V 0.8A hfe 100 min
DY	BCW68GR	SGS	R	SOT23R	pnp 45V 0.8A hfe 160 min
DY	MMSZ4710	Vis	I	SOD123	zener 350mW 5% 25V
DY	MMBZ4710	Vis	C	SOT23	zener 350mW 5% 25V
DZ	MMSZ4709	Vis	I	SOD123	zener 350mW 5% 24V
DZ	MMBZ4709	Vis	C	SOT23	zener 350mW 5% 24V
DZ	BCW68HR	SGS	R	SOT23R	pnp 45V 0.8A hfe 250 min

Last Updated on 10/07/2006

By GM4PMK

GM4PMK's SMD Codebook

Codes beginning with 'E'

Code	Device	Manf	Base	Package	Leaded Equivalent/Data
e	BAT64-02W	Sie	I	SCD80	
E	1SS780	Roh	I	USM	40V 100mA lo leakage
E	BB689	Sie	I	SCD80	2-55pF varicap
E0	HSMP-3810	HP	C	SOT23	HP3810 pin atten diode
E0	HSMP-381B	HP	C	SOT323	HP3810 pin atten diode
E01	DTDG14EP	Roh	P	SOT89	npn dtr 60V 1A R2 10k, + c to b zener
E02	DTDG23YP	Roh	P	SOT89	npn dtr 60V 1A 2k2+ 10k, + c to b zener
E1p	BFS17	Phi	N	SOT23	BFY90 BFW92
E1p	BFS17W	Phi	N	SOT323	BFY90 BFW92
E1	HSMP-3811	HP	K	SOT23	HP3810 pin atten diode
E1	MMSZ5231	Vis	I	SOD123	zener 300mW 5% 5.1V
E2	BFS17A	Phi	N	SOT23	npn RF 3GHz 25mA
E2	BAL99	Zet	C		sw diode 75V 100mA
E2	HSMP-3812	HP	D	SOT23	dual series HP3810 pin atten diode
E2	MMSZ5232	Vis	I	SOD123	zener 300mW 5% 5.6V
E2	EDZ6.2B	Roh	I	EMD2	150mW zener 6.2V
E2	VDZ6.2B	Roh	I	VMD2	150mW zener 6.2V
E3	BAR99	Zet	C		sw diode 75V 100mA
E3	HSMP-3813	HP	A	SOT23	dual HP3810 pin atten diode
E3	MMSZ5233	Vis	I	SOD123	zener 300mW 5% 6.0V
E4	BFS17R	Phi	R		BFY90 BFW92
E4	HSMP-3814	HP	B	SOT23	dual cc HP3810 pin atten diode
E4	MMSZ5234	Vis	I	SOD123	zener 300mW 5% 6.2V
E5	BFS17AR	Tfk	R		npn rf 3 GHz 25mA
E5	MMSZ52353	Vis	I	SOD123	zener 300mW 5% 6.8V
E5	EDZ33B	Roh	I	EMD2	150mW zener 33V

E5	VDZ33B	Roh	I	VMD2	150mW zener 33V
E6	ZC2800E	Zet	C		HP2800
E8	ZC2811E	Zet	C		HP2811
E9	ZC5800E	Zet	C		HP5800
E11	DTA113ZE	Roh	N	EMT3	pnp dtr 1k0 + 10k 50V 100mA
E11	DTA113ZKA	Roh	N	SC59	pnp dtr 1k0 + 10k 50V 100mA
E13	DTA143ZE	Roh	N	EMT3	pnp dtr 4k7 + 47k 50V 100mA
E13	DTA143ZKA	Roh	N	SC59	pnp dtr 4k7 + 47k 50V 100mA
E23	DTC143ZCA	Roh	N	SOT23	npn dtr 4k7 + 47k 50V 100mA
E23	DTC143ZE	Roh	N	EMT3	npn dtr 4k7 + 47k 50V 100mA
E23	DTC143ZKA	Roh	N	SC59	npn dtr 4k7 + 47k 50V 100mA
E32	DTA123JE	Roh	N	EMT3	pnp dtr 2k2 + 47k 50V 100mA
E32	DTA123JKA	Roh	N	SC59	pnp dtr 2k2 + 47k 50V 100mA
E42	DTC123JE	Roh	N	EMT3	npn dtr 2k2 + 47k 50V 100mA
E42	DTC123JKA	Roh	N	SC59	npn dtr 2k2 + 47k 50V 100mA
E56	DTA144VKA	Roh	N	SC59	pnp dtr 47k + 10k 50V 100mA
E66	DTC144VKA	Roh	N	SC59	npn dtr 47k + 10k 50V 100mA
EA	MMSZ4711	Vis	I	SOD123	zener 350mW 5% 27V
EA	MMBZ4711	Vis	IC	SOT23	zener 350mW 5% 27V
EAx	EGF1A	Vis	I	DO214	rectifier ultrafast 50V 1A xx date code
EAs	BCW65A	Sie	N	SOT23	npn 32V 800mA hfe 100 min
EBs	BCW65B	Sie	N	SOT23	npn 32V 800mA hfe 160 min
EB	HSMP-4810	HP	J	SOT23	0.5-3GHz pin 2 cathode connections
EB	MSC1022-B	Mot	H		pnp RF 150MHz fT 20V xx date code
EBxx	EGF1B	Vis	I	DO214	rectifier ultrafast 100V 1A
EC	MSC1022-C	Mot	H		pnp RF 150MHz fT 20V
EC	MMSZ4712	Vis	I	SOD123	zener 350mW 5% 28V
EC	MMBZ4712	Vis	C	SOT23	zener 350mW 5% 28V
ECxx	EGF1C	Vis	I	DO214	rectifier ultrafast 150V 1A xx date code
ECs	BCW65C	Sie	N	SOT23	npn 32V 800mA hfe 250 min
ED	BCV28	Sie	P	SOT89	pnp darlington 30V 0.8A comp BCV29
ED	MMSZ4713	Vis	I	SOD123	zener 350mW 5% 30V

ED	MMBZ4713	Vis	C	SOT23	zener 350mW 5% 30V
EDxx	EGF1D	Vis	I	DO214	rectifier ultrafast 200V 1A xx date code
EE	BCV48	Sie	P	SOT89	pnp darlington 60V 0.8A comp BCV49
EE	MMSZ4714	Vis	I	SOD123	zener 350mW 5% 33V
EE	MMBZ4714	Vis	C	SOT23	zener 350mW 5% 33V
EF	BCV29	Sie	P	SOT89	nnp darlington 30V 0.8A comp BCV28
EF	BCW66F	Sie	N	SOT23	nnp 45V 800mA hfe 100 min
EF	MMSZ4715	Vis	I	SOD123	zener 350mW 5% 36V
EF	MMBZ4715	Vis	C	SOT23	zener 350mW 5% 36V
EG	BCV49	Sie	P	SOT89	nnp darlington 60V 0.8A comp BCV48
EGs	BCW66G	Sie	N	SOT23	nnp 45V 800mA hfe 160 min
EHs	BCW66H	Sie	N	SOT23	nnp 45V 800mA hfe 240 min
EH	MMSZ4716	Vis	I	SOD123	zener 350mW 5% 39V
EH	MMVZ4716	Vis	C	SOT23	zener 350mW 5% 39V
EHAA	MAX6326_R22-T	Max	ZB	SOT23	microproc -ve reset gen 2.200V
EIAA	MAX6327_R22-T	Max	ZB	SOT23	microproc +ve reset gen 2.200V
EJ	MMSZ4717	Vis	I	SOD123	zener 350mW 5% 43V
EJ	MMBZ4717	Vis	C	SOT23	zener 350mW 5% 43V
EJAA	MAX6328_R22-T	Max	ZB	SOT23	microproc -ve reset gen 2.200V
EKs	BCX41	Sie	N	SOT23	gp npn 125V 1A comp BCX42
EP	CMDZ3L0	CSC	I	SOD323	zener 250mW Iz 0.5mA 3.0V
ET	BCW65AR	Sie	R	SOT23R	nnp 32V 800mA hfe 100 min
EU	BCW65BR	Sie	R	SOT23R	nnp 32V 800mA hfe 160 min
EW	BCW65CR	Sie	R	SOT23R	nnp 32V 800mA hfe 240 min
EWAA	MAX6326_R23-T	Max	ZB	SOT23	microproc -ve reset gen 2.320V
EX	BCW65FR	Sie	R	SOT23R	nnp 45V 800mA hfe 100 min
EXAA	MAX6326_R24-T	Max	ZB	SOT23	microproc -ve reset gen 2.400V

EY	BCW65GR	Sie	R	SOT23R	npn 45V 800mA hfe 160 min
EYAA	MAX6326_R25-T	Max	ZB	SOT23	microproc -ve reset gen 2.500V
EZ	BCW65HR	Sie	R	SOT23R	npn 45V 800mA hfe 240 min
EZAA	MAX6326_R26-T	Max	ZB	SOT23	microproc -ve reset gen 2.630V

*Last Updated on 10/07/2006
by GM4PMK*

GM4PMK's SMD Codebook

Codes beginning with 'F'

Code	Device	Manf	Base	Package	Leaded Equivalent/Data
f	BAS20-02W	Sie	I	SCD80	
F	KV1831E	Tok	I	URD	uhf varicap 2.5-22pf
F	MRF927	Mot	N	SOT323	npn RF fT 8GHz
F0	HSMP-3820	HP	C	SOT23	35V RF pin sw diode
F0	CMOZ5V6	CSC	I	SOD523	zener 350mW 5% 5.6V
F02	DTD123TK	Roh	N	SC59	npn dtr R1 2k2 40V 100mA
F03	DTD143TK	Roh	N	SC59	npn dtr R1 4k7 40V 100mA
F05	TSDF1205	Vis	X	SOT143	fT 12GHz npn RF 4V 12mA
F1	HSMP-3821	HP	K	SOT23	35V RF pin sw diode
F1	BFS18	Phi	N	SOT23	BF495
F1	MMBC1009F1	Mot	N		RF npn fT 150MHz hfe30-60
F1	MMSZ52336	Vis	I	SOD123	zener 300mW 5% 7.5V
F1	CMOZ2V4	CSC	I	SOD523	zener 350mW 5% 2.4V
F1A	CMOZ2V6	CSC	I	SOD523	zener 350mW 5% 2.6V
F2	HSMP-3822	HP	D	SOT23	dual series HP3820 pin sw diode
F2	BFS19	SGS	N	SOT23	BF184 BF494
F2	MMSZ52337	Vis	I	SOD123	zener 300mW 5% 8.2V
F2	CMOZ2V7	CSC	I	SOD523	zener 350mW 5% 2.7V
F2	EDZ6.8B	Roh	I	EMD2	150mW zener 6.8V
F2	VDZ6.8B	Roh	I	VMD2	150mW zener 6.8V
F2p	BFS19	Phi	N	SOT23	BF184 BF494
F2t	BFS19	Phi	N	SOT23	BF184 BF494
F3	MMBC1009F3	Mot	N		RF npn fT150MHz hfe60-120
F3	MMSZ52338	Vis	I	SOD123	zener 300mW 5% 8.7V
F3	CMOZ3V0	CSC	I	SOD523	zener 350mW 5% 3.0V
F4	BFS18R	Phi	N		BF495
F4	HSMP-3824	HP	B	SOT23	dual cc HP3820 pin sw diode
F4	MMSZ52339	Vis	I	SOD123	zener 300mW 5% 9.1V

F4	CMOZ3V3	CSC	I	SOD523	zener 350mW 5% 3.3V
F5	BFS19R	Phi	N		BF184 BF494
F5	MMSZ52340	Vis	I	SOD123	zener 300mW 5% 10V
F5	EDZ36B	Roh	I	EMD2	150mW zener 36V
F5	VDZ36B	Roh	I	VMD2	150mW zener 36V
F5	CMOZ3V6	CSC	I	SOD523	zener 350mW 5% 3.6V
F6	CMOZ3V9	CSC	I	SOD523	zener 350mW 5% 3.9V
F7	CMOZ4V3	CSC	I	SOD523	zener 350mW 5% 4.3V
F8	CMOZ4V7	CSC	I	SOD523	zener 350mW 5% 4.7V
F8p	BF824	Phi	N	SOT23	
F8t	BF824	Phi	N	SOT23	
F8t	BF824W	Phi	N	SOT323	
F9	CMOZ5V1	CSC	I	SOD523	zener 350mW 5% 5.1V
F9	1SS321	Tosh	B	SC59	dualcc schottky 10V 50mA low leakage
F11	DTB113EK	Roh	N	SC59	pnP dtr 1k + 1k 50V 500mA
F12	DTB123EK	Roh	N	SC59	pnP dtr 2k2 + 2k2 50V 500mA
F13	DTB143EC	Roh	N	SOT23	pnP dtr 4k7+ 4k7 50V 500mA
F13	DTB143EK	Roh	N	SC59	pnP dtr 4k7+ 4k7 50V 500mA
F14	DTB114EK	Roh	N	SC59	pnP dtr 10k + 10k 50V 500mA
F20	TSDF1220	Vis	X	SOT143	fT 12GHz npn 6V 20mA
F21	DTD113EK	Roh	N	SC59	nPN dtr 1k + 1k 50V 500mA
F22	DTD123EK	Roh	N	SC59	nPN dtr 2k2 + 2k2 50V 500mA
F23	DTD143EC	Roh	N	SOT23	nPN dtr 4k7 + 4k7 50V 500mA
F23	DTD143EK	Roh	N	SC59	nPN dtr 4k7 + 4k7 50V 500mA
F24	DTD114EK	Roh	N	SC59	nPN dtr 10k + 10k 50V 500mA
F50	TSDF1250	Vis	X	SOT143	fT 12GHz npn RF 6V 60mA
F52	DTB123YC	Roh	N	SOT23	pnP dtr 2k2 + 10k 50V 100mA
F52	DTB123YK	Roh	N	SC59	pnP dtr 2k2 + 10k 50V 100mA
F62	DTD123YK	Roh	N	SC59	nPN dtr 2k2 + 10k 50V 100mA
F92	DTB123TK	Roh	N	SC59	pnP dtr R1 2k2 40V 100mA
F93	DTB143TK	Roh	N	SC59	pnP dtr R1 4k7 40V 100mA
F94	DTB114TK	Roh	N	SC59	pnP dtr R110k 40V 100mA
FA	HSMP-4820	HP	B	SOT23	0.5-3GHz cc pin dual anode

FA	BFQ17	Phi	P	SOT89	npn RF 1.5GHz 300mA
FA	BFP81	Sie	X		BFQ69
FA	BFQ19	Phi	P	SOT89	npn RF Ft 5.5GHz 100mA
FAAA	MAX6326_R27-T	Max	ZB	SOT23	microproc -ve reset gen 2.700V
FB	BFP17	Sie	X		BFW92
FB	EDZC6.8B	Roh	I	EMD2	6.8V 150mW zener low c usb surge prot
FBAA	MAX6328_R31-T	Max	ZB	SOT23	microproc -ve reset gen 2.800V
FC	BFQ64	Sie	P		BFT98T
FC	BFP29	Sie	X		BFT97
FCAA	MAX6326_R29-T	Max	ZB	SOT23	microproc -ve reset gen 2.930V
FD	BCV26	SGS	N	SOT23	pnnp darlington
FDp	BCV26	Phi	N	SOT23	pnnp darlington
FDt	BCV26	Phi	N	SOT23	pnnp darlington
FD	BFQ17P	Sie	P	SOT89	BFW16A
FD	BFP35A	Sie	X		BFR34A
FDA	MAX6326_R31-T	Max	ZB	SOT23	microproc -ve reset gen 3.080V
FE	BCV46	SGS	N	SOT23	pnnp darlington
FEp	BCV46	Phi	N	SOT23	pnnp darlington
FEt	BCV46	Phi	N	SOT23	pnnp darlington
FES	BFQ19P	Sie	P	SOT89	BFR96
FE	BFP93A	Sie	X	SOT143	BFR91A
FEAA	MAX6326_R30-T	Max	ZB	SOT23	microproc -ve reset gen 3.000V
FF	BCV27	SGS	N	SOT23	npn darlington
FF	BBY65-02V	Inf	I	SC79	hyperabrupt varicap 2.7-30pF
FF	JDV3C11	Tosh	DT	SMINI	2 x VHF varicap 70pF
FFp	BCV27	Phi	N	SOT23	npn darlington
FFt	BCV27	Phi	N	SOT23	npn darlington
FFAA	MAX6327_R23-T	Max	ZB	SOT23	microproc +ve reset gen 2.320V
FG	BCV47	Phi	N	SOT23	npn darlington

FGp	BCV47	Phi	N	SOT23	npn darlington
FGt	BCV47	Phi	N	SOT23	npn darlington
FG	BFQ19S	Sie	P	SOT89	BFR96S
FGAA	MAX6327_R24-T	Max	ZB	SOT23	microproc +ve reset gen 2.400V
FHs	BFN24	Sie	N	SOT23	npn 250V comp to BFN25
FHAA	MAX6327_R25-T	Max	ZB	SOT23	microproc +ve reset gen 2.500V
FIAA	MAX6327_R26-T	Max	ZB	SOT23	microproc +ve reset gen 2.630V
FJ	BFN26	Sie	N	SOT23	npn 300V comp to BFN27
FJAA	MAX6327_R27-T	Max	ZB	SOT23	microproc +ve reset gen 2.700V
FK	BFN25	Sie	N	SOT23	pnp 250V comp to BFN24
FKAA	MAX6327_R28-T	Max	ZB	SOT23	microproc +ve reset gen 2.800V
FL	BFN27	Sie	N	SOT23	pnp 300V comp to BFN26
FLAA	MAX6327_R29-T	Max	ZB	SOT23	microproc +ve reset gen 2.930V
FFMA	MAX6327_R31-T	Max	ZB	SOT23	microproc +ve reset gen 3.080V
FFNA	MAX6327_R30-T	Max	ZB	SOT23	microproc +ve reset gen 3.000V
FOAA	MAX6328_R23-T	Max	ZB	SOT23	microproc -ve reset gen 2.320V
FP	CMDZ3L3	CSC	I	SOD323	zener 250mW Iz 0.5mA 3.3V
FPAA	MAX6328_R24-T	Max	ZB	SOT23	microproc -ve reset gen 2.400V
FQ	2SA1037AK	Roh	N	SMT3	hfe 150@1ma preamp gp pnp hfe 120-270
FQ	2SA1576A	Roh	N	UMT3	see 2SA1037 above
FQ	2SA1774	Roh	N	EMT3	see 2SA1037 above
FQ	2SA2029	Roh	N	VMT3	see 2SA1037 above
F-Q	2PA1576Q	Phi	N	SOT323	gp pnp SC70 hfe 120-270 equ 2SA1037 above
FtQ	2PA1576Q	Phi	N	SOT323	gp pnp SC70 hfe 120-270

FQAA	MAX6328_R25-T	Max	ZB	SOT23	microproc -ve reset gen 2.500V
FR	2SA1037AK	Roh	N		hfe 150@1ma preamp gp pnp hfe 180-390
FR	2SA1576A	Roh	N	UMT	see 2SA1037K above
FR	2SA1577Q		N		see 2SA1037K above
FR	2SA1774	Roh	N	EM3	see 2SA1037K above
F-R	2PA1576R	Phi	N	SOT323	gp pnp hfe 180-390
FtR	2PA1576R	Phi	N	SOT323	gp pnp hfe 180-390
FRAA	MAX6328_R26-T	Max	ZB	SOT23	microproc -ve reset gen 2.630V
FS	2SA1037AK	Roh	N	SMT3	hfe 150@1ma preamp gp pnp hfe 270-550
FS	2SA1576A	Roh	N	UMT3	see 2SA1037 above
FS	2SA1774	Roh	N	EMT3	see 2SA1037 above
FS	2SA2029	Roh	N	VMT3	see 2SA1037 above
F-S	2PA1576S	Phi	N	SOT323	gp pnp hfe 270-560
FtS	2PA1576S	Phi	N	SOT323	gp pnp hfe 270-560
FSAA	MAX6328_R27-T	Max	ZB	SOT23	microproc -ve reset gen 2.700V
FTAA	MAX6328_R28-T	Max	ZB	SOT23	microproc -ve reset gen 2.800V
FUAA	MAX6328_R29-T	Max	ZB	SOT23	microproc -ve reset gen 2.930V
FVAA	MAX6328_R31-T	Max	ZB	SOT23	microproc -ve reset gen 3.080V
FWAA	MAX6328_R30-T	Max	ZB	SOT23	microproc -ve reset gen 3.000V
FZAP	MAX6012A	Max	ZC	SOT23	precision reference 1.247V
FZAQ	MAX6025A	Max	ZC	SOT23	precision reference 2.500V
FZAR	MAX6041A	Max	ZC	SOT23	precision reference 4.096V
FZAS	MAX6045A	Max	ZC	SOT23	precision reference 4.500V
FZAT	MAX6050A	Max	ZC	SOT23	precision reference 5.000V
FZAU	MAX6021A	Max	ZC	SOT23	precision reference 2.048V
FZAV	MAX6346_R33-T	Max	ZB	SOT23	micrproc -ve reset gen 3.300V

FZAW	MAX6346_R34-T	Max	ZB	SOT23	micrproc -ve reset gen 3.400V
FZAX	MAX6346_R35-T	Max	ZB	SOT23	micrproc -ve reset gen 3.500V
FZAY	MAX6346_R36-T	Max	ZB	SOT23	micrproc -ve reset gen 3.600V
FZAZ	MAX6346_R37-T	Max	ZB	SOT23	micrproc -ve reset gen 3.700V
FZBA	MAX6346_R38-T	Max	ZB	SOT23	micrproc -ve reset gen 3.800V
FZBB	MAX6346_R39-T	Max	ZB	SOT23	micrproc -ve reset gen 3.900V
FZBC	MAX6346_R40-T	Max	ZB	SOT23	micrproc -ve reset gen 4.0800V
FZBD	MAX6346_R41-T	Max	ZB	SOT23	micrproc -ve reset gen 4.100V
FZBE	MAX6346_R42-T	Max	ZB	SOT23	micrproc -ve reset gen 4.200V
FZBF	MAX6346_R43-T	Max	ZB	SOT23	micrproc -ve reset gen 4.300V
FZBG	MAX6346_R44-T	Max	ZB	SOT23	micrproc -ve reset gen 4.380V
FZBH	MAX6346_R45-T	Max	ZB	SOT23	micrproc -ve reset gen 4.500V
FZBI	MAX6346_R46-T	Max	ZB	SOT23	micrproc -ve reset gen 4.630V
FZBJ	MAX6347_R33-T	Max	ZB	SOT23	micrproc +ve reset gen 3.300V
FZBK	MAX6347_R34-T	Max	ZB	SOT23	micrproc +ve reset gen 3.400V
FZBL	MAX6347_R35-T	Max	ZB	SOT23	micrproc +ve reset gen 3.500V
FZBM	MAX6347_R36-T	Max	ZB	SOT23	micrproc +ve reset gen 3.600V
FZBN	MAX6347_R37-T	Max	ZB	SOT23	micrproc +-ve reset gen 3.700V
FZBO	MAX6347_R38-T	Max	ZB	SOT23	micrproc +ve reset gen 3.800V

FZBP	MAX6347_R39-T	Max	ZB	SOT23	micrproc +ve reset gen 3.900V
FZBQ	MAX6347_R40-T	Max	ZB	SOT23	micrproc +ve reset gen 4.0800V
FZBR	MAX6347_R41-T	Max	ZB	SOT23	micrproc +-ve reset gen 4.100V
FZBS	MAX6347_R42-T	Max	ZB	SOT23	micrproc +ve reset gen 4.200V
FZBT	MAX6347_R43-T	Max	ZB	SOT23	micrproc +ve reset gen 4.300V
FZBU	MAX6347_R44-T	Max	ZB	SOT23	micrproc +-ve reset gen 4.380V
FZBV	MAX6347_R45-T	Max	ZB	SOT23	micrproc +ve reset gen 4.500V
FZBW	MAX6347_R46-T	Max	ZB	SOT23	micrproc +-ve reset gen 4.630V
FZBX	MAX6348_R33-T	Max	ZB	SOT23	microproc -ve reset gen 3.300V
FZBY	MAX6348_R34-T	Max	ZB	SOT23	microproc -ve reset gen 3.400V
FZBZ	MAX6348_R35-T	Max	ZB	SOT23	microproc -ve reset gen 3.500V
FZCA	MAX6348_R36-T	Max	ZB	SOT23	microproc -ve reset gen 3.600V
FZCB	MAX6348_R37-T	Max	ZB	SOT23	microproc -ve reset gen 3.700V
FZCC	MAX6348_R38T	Max	ZB	SOT23	microproc -ve reset gen 3.800V
FZCD	MAX6348_R39-T	Max	ZB	SOT23	microproc -ve reset gen 3.900V
FZCE	MAX6348_R40-T	Max	ZB	SOT23	microproc -ve reset gen 4.000V
FZCF	MAX6348_R41-T	Max	ZB	SOT23	microproc -ve reset gen 4.100V
FZCG	MAX6348_R42T	Max	ZB	SOT23	microproc -ve reset gen 4.200V
FZCH	MAX6348_R43-T	Max	ZB	SOT23	microproc -ve reset gen 4.380V
FZCI	MAX6348_R44-T	Max	ZB	SOT23	microproc -ve reset gen 4.400V

FZCJ	MAX6348_R45-T	Max	ZB	SOT23	microproc -ve reset gen 4.500V
FZCK	MAX6348_R46-T	Max	ZB	SOT23	microproc -ve reset gen 4.600V
FZCW	MAZ6001UR	Max	ZC	SOT23	1.250V V reference
FZCX	MAZ6002UR	Max	L	SOT23	2.500V V reference
FZCY	MAZ6004UR	Max	L	SOT23	4.096V V reference
FZCZ	MAZ6005UR	Max	L	SOT23	5.000V V reference
FZDA	MAX6012B	Max	ZC	SOT23	precision reference 1.247V
FZDB	MAX6025B	Max	ZC	SOT23	precision reference 2.500V
FZDC	MAX6041B	Max	ZC	SOT23	precision reference 4.096V
FZDD	MAX6045B	Max	ZC	SOT23	precision reference 4.500V
FZdE	MAX6050B	Max	ZC	SOT23	precision reference 5.000V
FZDF	MAX6021B	Max	ZC	SOT23	precision reference 2.047V
FZDK	MAZ6003UR	Max	L	SOT23	3.000V V reference
FZDW	MAX6030A	Max	ZC	SOT23	precision reference 3.000V
FZDX	MAX6012B	Max	ZC	SOT23	precision reference 3.000V
FZEB	LM4041AIM3-1.2	Max	L	SOT23	1.225V 0.1% shunt V ref
FZEC	LM4041BIM3-1.2	Max	L	SOT23	1.225V 0.2% shunt V ref
FZED	LM4041DIM3-1.2	Max	L	SOT23	1.225V 0.5% shunt V ref
FZEE	LM4041DIM3-1.2	Max	L	SOT23	1.225V 1.5% shunt V ref
FZEF	LM4040A IM3-2.1	Max	L	SOT23	2.048V shunt reference 0.1%
FZEG	LM4040B IM3-2.1	Max	L	SOT23	2.048V shunt reference 0.2 %
FZEH	LM4040C IM3-2.1	Max	L	SOT23	2.048V shunt reference 0.5%
FZEI	LM4040D IM3-2.1	Max	L	SOT23	2.048V shunt reference 1.0%
FZEJ	LM4040A IM3-2.5	Max	L	SOT23	2.500V shunt reference 0.1%
FZEK	LM4040B IM3-2.5	Max	L	SOT23	2.500V shunt reference 0.2 %

FZEL	LM4040C IM3-2.5	Max	L	SOT23	2.500V shunt reference 0.5%
FZEM	LM4040D IM3-2.5	Max	L	SOT23	2.500V shunt reference 1.0%
FZEN	LM4040A IM3-3.0	Max	L	SOT23	3.000V shunt reference 0.1%
FZEO	LM4040B IM3-3.0	Max	L	SOT23	3.000V shunt reference 0.2 %
FZEP	LM4040C IM3-3.0	Max	L	SOT23	3.000V shunt reference 0.5%
FZEQ	LM4040D IM3-3.0	Max	L	SOT23	3.000V shunt reference 1.0%
FZER	LM4040A IM3-4.1	Max	L	SOT23	4.096V shunt reference 0.1%
FZES	LM4040B IM3-4.1	Max	L	SOT23	4.096V shunt reference 0.2 %
FZET	LM4040C IM3-4.1	Max	L	SOT23	4.096V shunt reference 0.5%
FZEU	LM4040DIM3-4.1	Max	L	SOT23	4.096V shunt reference 1.0%
FZEV	LM4040A IM3-5.0	Max	L	SOT23	5.000V shunt reference 0.1%
FZEW	LM4040B IM3-5.0	Max	L	SOT23	5.000V shunt reference 0.2 %
FZEX	LM4040C IM3-5.0	Max	L	SOT23	5.000V shunt reference 0.5%
FZEY	LM4040D IM3-5.0	Max	L	SOT23	5.000V shunt reference 1.0%
FZ EZ	MAZ803LUR	Max	ZB	SOT23	microproc -ve reset gen, 5.0V
FZFA	MAZ803MUR	Max	ZB	SOT23	microproc -ve reset gen, 5.0V
FZFB	MAZ803TUR	Max	ZB	SOT23	microproc -ve reset gen, 3.3V
FZFC	MAZ803SUR	Max	ZB	SOT23	microproc -ve reset gen, 3.3V
FZFD	MAZ803RUR	Max	ZB	SOT23	microproc -ve reset gen, 3.0V
FZGH	MAZ6006AUR	Max	L	SOT23	1.250V 0.2% shunt V reference
FZGI	MAZ6006BUR	Max	L	SOT23	1.250V 0.5% shunt V reference
FZGJ	MAZ6006CUR	Max	L	SOT23	1.250V 1.0% shunt V reference
FZGK	MAZ6007AUR	Max	L	SOT23	2.480V 0.2% shunt V reference

FZGL	MAZ6007BUR	Max	L	SOT23	2.480V 0.5% shunt V reference
FZGM	MAZ6007CUR	Max	L	SOT23	2.480V 1.0% shunt V reference
FZGN	MAZ6008AUR	Max	L	SOT23	2.500V 0.2% shunt V reference
FZGO	MAZ6008BUR	Max	L	SOT23	2.500V 0.5% shunt V reference
FZGP	MAZ6008CUR	Max	L	SOT23	2.500V 1.0% shunt V reference
FZGQ	MAZ6009AUR	Max	L	SOT23	3.000V 0.2% shunt V reference
FZGR	MAZ6009BUR	Max	L	SOT23	3.000V 0.5% shunt V reference
FZGS	MAZ6009CUR	Max	L	SOT23	3.000V 1.0% shunt V reference

Last Updated on 13/06/2006

By GM4PMK

GM4PMK's SMD Codebook

Codes beginning with 'G'

Code	Device	Manf	Base	Package	Leaded Equivalent/Data
G	BAR63-02W	Sie	I	SCD80	RF pin to 3GHz
G	BAR63-03W	Sie	I	SOD323	RF pin to 3GHz
G	KV1181E	Tok	I	URD	uhf varicap 2-16pF
G	MRF947A	Mot	N	SOT323	npn RF 8GHz
G0	HSMP-3890	HP	C	SOT23	HP3890 pin sw diode
G0	HSMP-389B	HP	C	SOT323	HP3890 pin sw diode
G08	DTD133HKA	Roh	N	SC59	npn dtr 3k3+10k 50V 500mA
G1	BFS20	Phi	N	SOT23	BF199
G1p	BFS20	Phi	N	SOT23	BF199
G1	BFS20	Phi	N	SOT23	BF199
G1t	HSMP-3891	HP	K	SOT23	HP3890 pin sw diode
G1	MMBT5551	Mot	N	SOT23	2N5551 npn Vce 140V
tG1	PMBT5551	Phi	N	SOT23	2N5551 npn Vce 140V
tG1	PMST5551	Phi	N	SOT323	2N5551 npn Vce 140V
G1E	BC847A	Rho	N	SOT23	BC547A
G1F	BC847B	Rho	N	SOT23	BC547B
G1G	BC847C	Rho	N	SOT23	BC547C
G1J	BC848A	Rho	N	SOT23	BC548A
G1K	BC848B	Rho	N	SC70	BC548B
G1K	BC848BW	Rho	N	UMT3	BC548B
G1K	BC848B	Rho	N	SOT23	BC548B
G1L	BC848C	Rho	N	SOT23	BC548C
G2	HSMP-3892	HP	D	SOT23	dual ser HP3890 pin sw diode
G2	CGY50	Sie	IQ	SOT143	GaAs MMIC amp
G3	HSMP-3893	HP	A	SOT23	dual HP3890 pin sw diode
pG3	PMST5551	Phi	N	SOT323	2N5551
G3	BAR63	Sie	C	SOT23	single 3GHz pin
G3C	DTB122JK	Roh	N	SC59	pnp dtr 220R + 470R 50V 500mA

G3E	BC857A	Roh	N	SOT23	BC557A
G3F	BC857B	Roh	N	SOT23	BC557B
G3J	BC858A	Roh	N	SOT23	BC558A
G3K	BC858B	Roh	N	SOT23	BC558B
G3K	BC858B	Roh	N	SC70	BC558B
G3K	BC858BW	Roh	N	UMT3	BC558B
G3L	BC858C	Roh	N	SOT23	BC558C
G4	BFS20R	Phi	N	SOT23	BF199
G4	HSMP-3894	HP	B	SOT23	dual HP3890 pin sw diode
G4	BAR63-04	Sie	D	SOT23	dual series 3GHz pin
G4C	DTD122JK	Roh	N	SC59	npn dtr 220R + 470R 50V 500mA
G4s	BAR63-04W	Sie	D	SOT323	dual series 3GHz pin
G5	HSMP-3895	HP	S	SOT143	dual HP3890 pin sw diode
G5	BAR63-05	Sie	B	SOT23	dual cc 3GHz pin
G5s	BAR63-05W	Sie	B	SOT323	dual cc 3GHz pin
G5B	BC807-25	Roh	N	SOT23	BC327-25
G6	BAR63-06	Sie	A	SOT23	dual ca 3GHz pin
G6s	BAR63-06W	Sie	A	SOT323	dual ca 3GHz pin
G6A	BC817-16	Roh	N		BC337-16
G6B	BC817-25	Roh	N	SOT23	BC337-25
G7	BF579	Tfk	N		BF979 pnp uhf fT 1.75GHz
G11	DTB113ZKA	Roh	N	SC59	pnp dtr 1k0 +10k 50V 500mA
G17	MMBZ4617	Vis	C	SOT23	zener 350mW 5% 2.4V
G18	MMBZ4618	Vis	C	SOT23	zener 350mW 5% 2.7V
G19	MMBZ4619	Vis	C	SOT23	zener 350mW 5% 3.0V
G20	MMBZ4620	Vis	C	SOT23	zener 350mW 5% 3.3V
G21	MMBZ4621	Vis	C	SOT23	zener 350mW 5% 3.6V
G21	DTD113ZKA	Roh	N	SC59	npn dtr 1k0 +10k 50V 500mA
G22	MMBZ4622	Vis	C	SOT23	zener 350mW 5% 3.9V
G23	MMBZ4623	Vis	C	SOT23	zener 350mW 5% 4.3V
G24	MMBZ4624	Vis	C	SOT23	zener 350mW 5% 4.7V
G25	MMBZ4625	Vis	C	SOT23	zener 350mW 5% 5.1V
G26	MMBZ4626	Vis	C	SOT23	zener 350mW 5% 5.6V
G27	MMBZ4627	Vis	C	SOT23	zener 350mW 5% 6.2V

G98	DTB133HKA	Roh	N	SC59	pnp dtr 3k3+10k 50V 500mA
GA	HSMP-4890	HP	B	SOT23	0.5-3GHz dual cc pin limiter
GA	BAW78A	Sie	LQ	SOT89	50V 1A sw diode
GAxx	GF1A	Vis	I	DO214	rectifier 50V 1A xx date code
GAB	BCW60B	Rho	N	SOT23	BCY58-viii
GAC	BCW60C	Rho	N	SOT23	BCY58-ix
GAD	BCW60D	Rho	N	SOT23	BCY58-x
GAH	BCX70H	Rho	N	SOT23	BCY59-viii BC107B
GAJ	BCX70J	Rho	N	SOT23	BCY59-ix BC107
GAK	BCX70K	Rho	N	SOT23	BCY59-x BC107
GB	BAW78B	Sie	LQ	SOT89	100V 1A sw diode
GBxx	GF1B	Vis	I	DO214	rectifier 100V 1A xx date code
GBB	BCW61B	Rho	N	SOT23	BCY78-viii
GBC	BCW61C	Rho	N	SOT23	BCY78-ix
GBG	BCX71G	Rho	N	SOT23	BCY79-vii
GBH	BCX71H	Rho	N	SOT23	BCY79-viii
GBJ	BCX71J	Rho	N	SOT23	BCY79-ix
GC	BAW78C	Sie	LQ	SOT89	200V 1A sw diode
GC1	BCW29	Roh	N	SOT23	BC178A
GC2	BCW30	Roh	N	SOT23	BC178B
GD	BAW78D	Sie	LQ	SOT89	400V 1A sw diode
GDxx	GF1D	Vis	I	DO214	rectifier 200V 1A xx date code
GD1	BCW31	Roh	N	SOT23	BC108C
GD2	BCW32	Roh	N	SOT23	BC108B
GD3	BCW33	Roh	N	SOT23	BC108A
GE	BFR35AP	Sie	N	SOT23	BFR34A
GE	BAW79A	Sie	JQ	SOT89	dual cc 50V 1A switch diodes
GEC	BCW65C	Rho	N	SOT23	nnp 32V 800mA hfe 250 min
GF	BFR92P	Sie	N	SOT23	BFR90
GF	BAW79B	Sie	JQ	SOT89	dual cc 100V 1A switch diodes
GG	BF579R	Tfk	R		BF979 pnp uhf fT1.75GHz
GG	BFR93P	Sie	N	SOT23	BFR91A
GG	BAW79C	Sie	JQ	SOT89	dual cc 200V 1A switch diodes
GGxx	GF1G	Vis	I	DO214	rectifier 400V 1A xx date code

GH	BAW79D	Sie	JQ	SOT89	dual cc 400V 1A switch diodes
GH1	BCW69	Roh	N	SOT23	BC177A
GH2	BCW70	Roh	N	SOT23	BC177B
GJxx	GF1J	Vis	I	DO214	rectifier 600V 1A xx date code
GK1	BCW71	Roh	N	SOT23	BC107A
GK2	BCW72	Roh	N	SOT23	BC107B ZXT300
GKxx	GF1K	Vis	I	DO214	rectifier 800V 1A xx date code
GLP	MMBT1010	Mot	N	SOT23	pnp 15V hfe 300-600 @100mA
GLP	MMBT1010	Mot	N	SOT346	pnp 15V hfe 300-600 @100mA
GMxx	GF1M	Vis	I	DO214	rectifier 1000V 1A xx date code
GMA	BFS17	Roh	N	SOT23	BFW92
GP	CMDZ3L6	CSC	I	SOD323	zener 250mW Iz 0.5mA 3.6V
GT1	BCX17	Roh	N	SOT23	BC327
GT2	BCX18	Roh	N	SOT23	BC328
GU1	BCX19	Roh	N	SOT23	BC337
GU2	BCX20	Roh	N	SOT23	BC338

*Last Updated on 10/07/2006
By GM4PMK*

GM4PMK's SMD Codebook

Codes beginning with 'H'

Code	Device	Manf	Base	Package	Leaded Equivalent/Data
H	MRF947B	Mot	N	SOT323	npn RF 8GHz
H	BB659C	Sie	I	SCD80	2.5-39 pF varicap in
H	BBY51-03W	Sie	I	SOD323	3-5 pF varicap in
H	BB141	Phi	I	SOD 523	Low Voltage Varicap
H	RN262G	Roh	I	VMD2	HF pin diode
H0	CMOZ15V	CSC	I	SOD523	zener 350mW 5% 15V
H02	DTC323TU	Rho	N	SC70	npn dtr 15V 0.6A, R1 2k2 , for muting
H04	DTC323TU	Rho	N	SC70	npn dtr 15V 0.6A, R1 10k , for muting
H1	BCW69	Phi	N	SOT23	BC177A
H1	MMSZ52341	Vis	I	SOD123	zener 300mW 5% 11V
H1	CMOZ6V2	CSC	I	SOD523	zener 350mW 5% 6.2V
H1p	BCW69	Phi	N	SOT23	BC177A
H1t	BCW69	Phi	N	SOT23	BC177A
H2	BCW70	Phi	N	SOT23	BC177B
H2	MMSZ52342	Vis	I	SOD123	zener 300mW 5% 12V
H2	CMOZ6V8	CSC	I	SOD523	zener 350mW 5% 6.8V
H2	EDZ7.5B	Roh	I	EMD2	150mW zener 7.5V
H2	VDZ7.5B	Roh	I	VMD2	150mW zener 7.5V
H2p	BCW70	Phi	N	SOT23	BC177B
H2t	BCW70	Phi	N	SOT23	BC177B
H3	BCW89	Phi	N	SOT23	BC556
H3	MMSZ52343	Vis	I	SOD123	zener 300mW 5% 13V
H3	CMOZ7V5	CSC	I	SOD523	zener 350mW 5% 7.5V
H3p	BCW89	Phi	N	SOT23	BC556
H3t	BCW89	Phi	N	SOT23	BC556
H4	BCW69R	Phi	R	SOT23R	BC177A

H4	MMSZ52344	Vis	I	SOD123	zener 300mW 5% 14V
H4	CMOZ8V2	CSC	I	SOD523	zener 350mW 5% 8.2V
H5	BCW70R	Phi	R	SOT23R	BC177B
H5	MBD770DW	Mot	DL		Dual UHF schottky diode
H5	MMSZ52345	Vis	I	SOD123	zener 300mW 5% 15V
H5	CMOZ9V1	CSC	I	SOD523	zener 350mW 5% 9.1V
H6	BCW89R	Phi	R	SOT23R	BC556
H6	CMOZ10V	CSC	I	SOD523	zener 350mW 5% 10V
H7	CMOZ11V	CSC	I	SOD523	zener 350mW 5% 11V
H8	CMOZ12V	CSC	I	SOD523	zener 350mW 5% 12V
H9	CMOZ13V	CSC	I	SOD523	zener 350mW 5% 13V
H9	1SS344	Tosh	C	SC70	schottky 20V 0.5A
H11	UMH11TN	Roh	DI		npn/pnpdtr pair 10k+10k
H16	SST4416	Sil	F		2N4416 n-ch jfet
H27	DTC323TU	Rho	N	SC70	npn dtr 15V 0.6A, R1 6k8 , for muting
H31	BCW89R	Phi	N	SOT23R	BC556
H84	SST5484	Sil	F	SOT23	2N5484
H85	SST5485	Sil	F	SOT23	2N5485
H86	SST5486	Sil	F	SOT23	2N5486
HB	BFN22	SGS	P	SOT23	npn Vce 250V
HC	BFN23	SGS	P	SOT23	pnp Vce 250V
HG	CFY77-08	Sie	DM		20GHz HEMT 0.8dB nf
HH	CFY77-10	Sie	DM		20GHz HEMT 1.0 dB nf
HH	BBY51-07	Sie	S	SOT143	dual varicap like BBY51
HP	CMDZ3L9	CSC	I	SOD323	zener 250mW Iz 0.5mA 3.9V
HQ	2SA1036K	Roh	N		pnp 500mA driver

Last Updated on 10/07/2006

By GM4PMK

G4PMK's SMD Codebook

Codes beginning with 'I'

be sure to check the '1' (one) table as well

Code	Device	Manf	Base	Package	Leaded Equivalent/Data
I	BBY51-02W	Sie	I	SCD80	3-5 pF varicap
I	BBY52-03W	Sie	I	SOD323	1.25-1.75 pF varicap in
I08	SST108	Sil	F	SOT23	J108 n-ch jfet
I09	SST109	Sil	F	SOT23	J109 n-ch jfet
I10	SST110	Sil	F	SOT23	J110 n-ch jfet

Last Updated on 15/03/2002

By G4PMK

GM4PMK's SMD Codebook

Codes beginning with 'J'

Code	Device	Manf	Base	Package	Leaded Equivalent/Data
J	RN141G	Roh	I	VMD2	HF PIN diode 0.8 pF
J0	HSMS-2840	HP	C	SOT23	schottky diode
J0	CMOZ39V	CSC	I	SOD523	zener 350mW 5% 139V
J01	SO2906R		N		2N2906
J03	SO2907AR		R		2N2907A
J05	SO2907R		R		2N2907
J1	HSMS-2841	HP	K	SOT23	schottky diode
J1	ZC830	Zet	C		ZC820 varicaps
J1	BSS138L	Mot	M	SOT23	n-ch enh TMOS fet
J1	MMSZ5246	Vis	I	SOD123	zener 300mW 5% 16V
J1	CMOZ16V	CSC	I	SOD523	zener 350mW 5% 16V
J1A	ZC830A	Zet	C	SOT23	varicap hyperabrupt 28V 10pF@2V
J1B	ZC830B	Zet	C	SOT23	varicap hyperabrupt 28V 10pF@2V
pJ1	BSH101	Phi	M	SOT23	n-ch 60V 0.7A mosfet
pJ2	BSH102	Phi	M	SOT23	n-ch 30V 1A mosfet
J2	ZC833	Zet	C	SOT23	ZC823
J2	MMSZ5247	Vis	I	SOD123	zener 300mW 5% 17V
J2	CMOZ18V	CSC	I	SOD523	zener 350mW 5% 18V
J2	EDZ8.2B	Roh	I	EMD2	150mW zener 8.2V
J2	VDZ8.2B	Roh	I	VMD2	150mW zener 8.2V
J2A	ZC833A	Zet	C	SOT23	varicap hyperabrupt 28V 33pF@2V
J2B	ZC833B	Zet	C	SOT23	varicap hyperabrupt 28V 33pF@2V
pJ3	BSH103	Phi	M	SOT23	n-ch 30V 0.8A mosfet
J3	ZC831	Zet	C	SOT23	ZC821
J3	MMSZ5248	Vis	I	SOD123	zener 300mW 5% 18V
J3	CMOZ20V	CSC	I	SOD523	zener 350mW 5% 20V
J3A	ZC831A	Zet	C	SOT23	varicap hyperabrupt 28V 15pF@2V
J3B	ZC831B	Zet	C	SOT23	varicap hyperabrupt 28V 15pF@2V

J3D	MSB81T1	Mot			vhf pnp fT 0.6GHz
J4A	MBV109	Mot	C	SOT23	29pF VHF varicap diode
J4	ZC832	Zet	C	SOT23	ZC823
J4	MMSZ5249	Vis	I	SOD123	zener 300mW 5% 19V
J4	CMOZ22V	CSC	I	SOD523	zener 350mW 5% 22V
J4A	ZC832A	Zet	C	SOT23	varicap hyperabrupt 28V 22pF@2V
J4B	ZC832B	Zet	C	SOT23	varicap hyperabrupt 28V 22pF@2V
J5	ZC834	Zet	C	SOT23	ZC824
J5	MMSZ5250	Vis	I	SOD123	zener 300mW 5% 20V
J5	CMOZ16V	CSC	I	SOD523	zener 350mW 5% 24V
J5A	ZC834A	Zet	C	SOT23	varicap hyperabrupt 28V 47pF@2V
J5B	ZC834B	Zet	C	SOT23	varicap hyperabrupt 28V 47pF@2V
J6	M1MA174	Mot	C		gp Si diode 100V
J6	ZC835	Zet	C	SOT23	ZC825
J6	CMOZ27V	CSC	I	SOD523	zener 350mW 5% 27V
J6A	ZC835A	Zet	C	SOT23	varicap hyperabrupt 28V 68pF@2V
J6B	ZC835B	Zet	C	SOT23	varicap hyperabrupt 28V 68pF@2V
J7	ZC836	Zet	C	SOT23	ZC826
J7	CMOZ30V	CSC	I	SOD523	zener 350mW 5% 30V
J7A	ZC830A	Zet	C	SOT23	varicap hyperabrupt 28V 100pF@2V
J7B	ZC830B	Zet	C	SOT23	varicap hyperabrupt 28V 100pF@2V
J8	BCX71JR	Phi	R	SOT23R	BCY79-ix
J8	CMOZ33V	CSC	I	SOD523	zener 350mW 5% 33V
J9	CMOZ36V	CSC	I	SOD523	zener 350mW 5% 16V
J9A	ZC829A	Zet	I	SOT23	varicap hyperabrupt 28V 8.2pF@2V
J9B	ZC829B	Zet	I	SOT23	varicap hyperabrupt 28V 8.2pF@2V
J12	SO2906AR		R		2N2906A
J32	SO5400R	SGS	R		2N5400
J33	SO5401R	SGS	R		2N5401
J39	SO692R	SGS			pnp Vce 300V
JA	BAV74	Zet	B	SOT23	dual diode cc 50V 0.1A
JA	BAV74	Mot	B	SOT23	dual sw diodes
JBs	BAR74	Sie	C	SOT23	fast sw diode 50V 0.25A
JCs	BAL74	Sie	V	SOT23	fast sw diode 50V 0.25A

JFs	BAL99	Sie	V	SOT23	fast sw diode 70V 0.25A
JG	BAR99	Sie	E		fast sw diode 70V 0.25A
JKs	BF1009	Sie	W	SOT143	biased n-ch dg mosfet 1GHz 9V
JLs	BF1009S	Sie	W	SOT143	biased n-ch dg mosfet 1GHz 9V
JL	MRF949	Mot	N	SOT323	nnp RF fT 9GHz
JP	CMDZ4L3	CSC	I	SOD323	zener 250mW Iz 0.5mA 4.3V
JP _s	BAS19	Sie	C	SOT23	120V 250mA fast sw diode
JP _s	BAW101	Sie	S	SOT143	pair isolated 300V sw diodes
JR _s	BAS20	Sie	C	SOT23	150V 250mA fast sw diode
JS _s	BAS21	Sie	C	SOT143	200V 250mA fast sw diode
JS	BAW100	Sie	Y	SOT143	dual isolated fast sw diodes
JT _s	BAS28	Sie	S	SOT143	dual isolated fast sw diodes
JT _s	BAS28W	Sie	FQ	SOT343	dual isolated fast sw diodes
JV	BAS116	Sie	C	SOT23	250V 75mA Ir 5nA
JX	BAV170	Mot	B	SOT23	dual cc Si diode low Ir
JY	BAV199	Mot	D	SOT23	dual series Si diode low Ir
JZ	BAW156	Mot	A	SOT23	dual ca Si diode low Ir

Last Updated on 10/07/2006

By GM4PMK

GM4PMK's SMD Codebook

Codes beginning with 'K'

Code	Device	Manf	Base	Package	Leaded Equivalent/Data
K	BAT68-03W	Sie	I	SOD323	BAT68 Schottky
K	BBY52-02W	Sie	I	SCD80	UHF varicap 1.75-1.25pF
K	MRF917	Mot	N	SOT323	npn RF ft 6GHz
K	BB142	Phi	I	SOD 523	Low Voltage Varicap
K	RN142G	Roh	I	VMD2	HF pin diode 0.45pF
K	RN142S	Roh	I	EMD2	HF pin diode 0.45pF
K0	HSMP-3830	HP	C	SOT23	gp pin diode HP3830
K1	HSMP-3831	HP	K	SOT23	gp pin diode HP3830
K1p	BCW71	Phi	N	SOT23	BC107A
K1t	BCW71	Phi	N	SOT23	BC107A
K1	BCW71	Phi	N	SOT23	BC107A
K1	MMSZ52351	Vis	I	SOD123	zener 300mW 5% 22V
K1	CMOZ43V	CSC	I	SOD523	zener 350mW 5% 43V
K2p	BCW72	Phi	N	SOT23	BC107B ZXT300
K2t	BCW72	Phi	N	SOT23	BC107B ZXT300
K2	BCW72	Phi	N	SOT23	BC107B ZXT300
K2	HSMP-3832	HP	D	SOT23	dual HP3830 pin diode
K2	MMSZ52352	Vis	I	SOD123	zener 300mW 5% 24V
K3	HSMP-3833	HP	A	SOT23	dual HP3830 pin diode
K3	BCW81	Phi	N	SOT23	npn 50V 0.1A 0.2W hfe 420
K3	BB145C	Phi	I	SOD 523	Low Voltage Varicap
K3	MMSZ52353	Vis	I	SOD123	zener 300mW 5% 25V
K3p	BCW81	Phi	N	SOT23	npn 50V 0.1A 0.2W hfe 420
K3t	BCW81	Phi	N	SOT23	npn 50V 0.1A 0.2W hfe 420
K4	BCW71R	Phi	R	SOT23R	BC107A
K4	HSMP-3834	HP	B	SOT23	dual HP3830 pin diode
K4	MMSZ52354	Vis	I	SOD123	zener 300mW 5% 27V

K5	BCW72R	Phi	R	SOT23R	BC107B ZTX300
K5	MMSZ52355	Vis	I	SOD123	zener 300mW 5% 28V
K6	BCV71R	Phi	R	SOT23R	BC546A
K7	BCV71	Phi	N	SOT23	BC546A
K7p	BCV71	Phi	N	SOT23	BC546A
K7t	BCV71	Phi	N	SOT23	BC546A
K8	BCV72	Phi	N	SOT23	BC546B
K8p	BCV72	Phi	N	SOT23	BC546B
K8t	BCV72	Phi	N	SOT23	BC546B
K9	BCV72R	Phi	R	SOT23R	BC546B
K9	1SS348	Tosh	B	SC59	schottky 80V 0.1A
K14	DTA114GE	Roh	N	EMT3	pnp dtr 50V 100mA R2 10k
K14	DTA114GUA	Roh	N	SC70	pnp dtr 50V 100mA R2 10k
K14	DTA114GKA	Roh	N	SC59	pnp dtr 50V 100mA R2 10k
K15	DTA124GKA	Roh	N	SC59	pnp dtr 50V 50mA R2 22k
K16	DTA144GUA	Roh	N	SC70	npn dtr 50V 100mA R2 47k
K16	DTA144GKA	Roh	N	SC59	npn dtr 50V 100mA R2 47k
K19	DTA115GUA	Roh	N	SC70	npn dtr 50V 100mA R2 100k
K19	DTA115GKA	Roh	N	SC59	npn dtr 50V 100mA R2 100k
K24	DTC114GUA	Roh	N	SC70	npn dtr 50V 100mA R2 22k
K24	DTC114GKA	Roh	N	SC59	npn dtr 50V 100mA R2 22k
K25	DTA124GUA	Roh	N	SC70	pnp dtr 50V 50mA R2 22k
K25	DTA124GKA	Roh	N	SC59	pnp dtr 50V 50mA R2 22k
K26	DTC144GE	Roh	N	EMT3	npn dtr 50V 100mA R2 47k
K26	DTC144GUA	Roh	N	SC70	npn dtr 50V 100mA R2 47k
K26	DTC144GKA	Roh	N	SC59	npn dtr 50V 100mA R2 47k
K29	DTC115GUA	Roh	N	SC70	npn dtr 50V 100mA R2 100k
K29	DTC115GKA	Roh	N	SC59	npn dtr 50V 100mA R2 100k
K31	BCW81R	Phi	R		npn 50V 0.1A 0.2W hfe 420
KB	MMBT8099L	Mot	N	SOT23	npn 80V gp
KC	BFQ29P	Sie	N		BFT66
KC1xx	MMBZ5221BT	Dio	C	SOT523	zener 150mW 2.4V (xx= date code)
KC3xx	MMBZ5223BT	Dio	C	SOT523	zener 150mW 2.7V (xx= date code)
KC5xx	MMBZ5225BT	Dio	C	SOT523	zener 150mW 3.0V (xx= date code)

KD1	AZ23C2V7	Dio	A	SOT23	dual ca zener 2.7V 0.3W
KD2	AZ23C3V0	Dio	A	SOT23	dual ca zener 3.0V 0.3W
KD3	AZ23C3V3	Dio	A	SOT23	dual ca zener 3.3V 0.3W
KD4	AZ23C3V6	Dio	A	SOT23	dual ca zener 3.6V 0.3W
KD5	AZ23C3V9	Dio	A	SOT23	dual ca zener 3.9V 0.3W
KD6	AZ23C4V3	Dio	A	SOT23	dual ca zener 4.3V 0.3W
KD7	AZ23C4V7	Dio	A	SOT23	dual ca zener 4.7V 0.3W
KD8	AZ23C5V1	Dio	A	SOT23	dual ca zener 5.1V 0.3W
KD9	AZ23C5V6	Dio	A	SOT23	dual ca zener 5.6V 0.3W
KD9	AZZ23C5V6W	Dio	A	SOT323	dual ca zener 5.6V 0.2W
KDA	AZ23C6V2	Dio	A	SOT23	dual ca zener 6.2V 0.3W
KDB	AZZ23C6V8	Dio	A	SOT23	dual ca zener 6.8V 0.3W
KDB	AZZ23C6V8W	Dio	A	SOT323	dual ca zener 6.8V 0.2W
KDC	AZZ23C7V5	Dio	A	SOT23	dual ca zener 7.5V 0.3W
KDD	AZZ23C8V2	Dio	A	SOT23	dual ca zener 8.2V 0.3W
KDE	AZZ23C9V1	Dio	A	SOT23	dual ca zener 9.1V 0.3W
KDF	AZZ23C10	Dio	A	SOT23	dual ca zener 10V 0.2W
KDF	AZZ23C10W	Dio	A	SOT323	dual ca zener 10V 0.3W
KDG	AZZ23C11	Dio	A	SOT23	dual ca zener 11V 0.3W
KDH	AZZ23C12	Dio	A	SOT23	dual ca zener 12V 0.3W
KDI	AZZ23C13	Dio	A	SOT23	dual ca zener 13V 0.3W
KDJ	AZZ23C15	Dio	A	SOT23	dual ca zener 15V 0.3W
KDK	AZZ23C16	Dio	A	SOT23	dual ca zener 16V 0.3W
KDL	AZZ23C18	Dio	A	SOT23	dual ca zener 18V 0.3W
KDL	AZZ2318W	Dio	A	SOT323	dual ca zener 18V 0.2W
KDM	AZZ23C20	Dio	A	SOT23	dual ca zener 20V 0.3W
KDN	AZZ23C22	Dio	A	SOT23	dual ca zener 22V 0.3W
KDO	AZZ23C24	Dio	A	SOT23	dual ca zener 24V 0.3W
KDP	AZZ23C27	Dio	A	SOT23	dual ca zener 27V 0.3W
KDQ	AZZ23C30	Dio	A	SOT23	dual ca zener 30V 0.3W
KDR	AZZ23C33	Dio	A	SOT23	dual ca zener 33V 0.3W
KDS	AZZ23C36	Dio	A	SOT23	dual ca zener 36V 0.3W
KDT	AZZ23C39	Dio	A	SOT23	dual ca zener 39V 0.3W
KE1xx	MMBZ5231BT	Dio	C	SOT523	zener 150mW 5.1V (xx= date code)

KE2xx	MMBZ5232BT	Dio	C	SOT523	zener 150mW 5.6V (xx= date code)
KE4xx	MMBZ5234BT	Dio	C	SOT523	zener 150mW 6.2V (xx= date code)
KE5xx	MMBZ5235BT	Dio	C	SOT523	zener 150mW 6.8V (xx= date code)
KF1xx	MMBZ5236BT	Dio	C	SOT523	zener 150mW 7.5V (xx= date code)
KF2xx	MMBZ5237BT	Dio	C	SOT523	zener 150mW 8.2V (xx= date code)
KF4xx	MMBZ5239BT	Dio	C	SOT523	zener 150mW 9.1V (xx= date code)
KF5xx	MMBZ5240BT	Dio	C	SOT523	zener 150mW 10V (xx= date code)
KG1xx	MMBZ5226BT	Dio	C	SOT523	zener 150mW 3.3V (xx= date code)
KG2xx	MMBZ5227BT	Dio	C	SOT523	zener 150mW 3.6V (xx= date code)
KG3xx	MMBZ5228BT	Dio	C	SOT523	zener 150mW 3.9V (xx= date code)
KG4xx	MMBZ5229BT	Dio	C	SOT523	zener 150mW 4.3V (xx= date code)
KG5xx	MMBZ5230BT	Dio	C	SOT523	zener 150mW 4.7V (xx= date code)
KHxx	MMBZ5241BT	Dio	C	SOT523	zener 150mW 11V (xx= date code)
KH2xx	MMBZ5242BT	Dio	C	SOT523	zener 150mW 12V (xx= date code)
KH3xx	MMBZ5243BT	Dio	C	SOT523	zener 150mW 13V (xx= date code)
KH5xx	MMBZ5245BT	Dio	C	SOT523	zener 150mW 15V (xx= date code)
KJ1xx	MMBZ5246BT	Dio	C	SOT523	zener 150mW 16V (xx= date code)
KJ3xx	MMBZ5248BT	Dio	C	SOT523	zener 150mW 18V (xx= date code)
KJ5xx	MMBZ5250BT	Dio	C	SOT523	zener 150mW 20V (xx= date code)
KK1xx	MMBZ5251BT	Dio	C	SOT523	zener 150mW 22V (xx= date code)
KK2xx	MMBZ5252BT	Dio	C	SOT523	zener 150mW 24V (xx= date code)
KK4xx	MMBZ5254BT	Dio	C	SOT523	zener 150mW 27V (xx= date code)
KK5xx	MMBZ5255BT	Dio	C	SOT523	zener 150mW 28V (xx= date code)
KM	BST80	Phi	T		VN10
KM1xx	MMBZ5256BT	Dio	C	SOT523	zener 150mW 30V (xx= date code)
KM2xx	MMBZ5257BT	Dio	C	SOT523	zener 150mW 33V (xx= date code)
KM3xx	MMBZ5258BT	Dio	C	SOT523	zener 150mW 36V (xx= date code)
KM4xx	MMBZ5259BT	Dio	C	SOT523	zener 150mW 39V (xx= date code)
KN	BST84	Phi	T		Nch VMOS 200V 0.25A
KO	BST86	Phi	T		nch VMOS 180V 0.3A
KP	CMDZ4L7	CSC	I	SOD323	zener 250mW Iz 0.5mA 4.7V
KV1	DZ23C2V7	Dio	A	SOT23	dual cc zener 2.7V 0.3W
KV2	DZ23C3V0	Dio	A	SOT23	dual cc zener 3.0V 0.3W
KV3	DZ23C3V3	Dio	A	SOT23	dual cc zener 3.3V 0.3W

KV4	DZ23C3V6	Dio	A	SOT23	dual cc zener 3.6V 0.3W
KV5	DZ23C3V9	Dio	A	SOT23	dual cc zener 3.9V 0.3W
KV6	DZ23C4V3	Dio	A	SOT23	dual cc zener 4.3V 0.3W
KV7	DZ23C4V7	Dio	A	SOT23	dual cc zener 4.7V 0.3W
KV8	DZ23C5V1	Dio	A	SOT23	dual cc zener 5.1V 0.3W
KV9	DZ23C5V6	Dio	A	SOT23	dual cc zener 5.6V 0.3W
KVA	DZ23C6V2	Dio	A	SOT23	dual cc zener 6.2V 0.3W
KVB	DZZ23C6V8	Dio	A	SOT23	dual cc zener 6.8V 0.3W
KVC	DZZ23C7V5	Dio	A	SOT23	dual cc zener 7.5V 0.3W
KVD	DZZ23C8V2	Dio	A	SOT23	dual cc zener 8.2V 0.3W
KVE	DZZ23C9V1	Dio	A	SOT23	dual cc zener 9.1V 0.3W
KVF	DZZ23C10	Dio	A	SOT23	dual cc zener 10V 0.2W
KVG	DZZ23C11	Dio	A	SOT23	dual cc zener 11V 0.3W
KVH	DZZ23C12	Dio	A	SOT23	dual cc zener 12V 0.3W
KVI	DZZ23C13	Dio	A	SOT23	dual cc zener 13V 0.3W
KVJ	DZZ23C15	Dio	A	SOT23	dual cc zener 15V 0.3W
KVK	DZZ23C16	Dio	A	SOT23	dual cc zener 16V 0.3W
KVL	DZZ23C18	Dio	A	SOT23	dual cc zener 18V 0.3W
KVM	DZZ23C20	Dio	A	SOT23	dual cc zener 20V 0.3W
KVN	DZZ23C22	Dio	A	SOT23	dual cc zener 22V 0.3W
KVO	DZZ23C24	Dio	A	SOT23	dual cc zener 24V 0.3W
KVP	DZZ23C27	Dio	A	SOT23	dual cc zener 27V 0.3W
KVQ	DZZ23C30	Dio	A	SOT23	dual cc zener 30V 0.3W
KVR	DZZ23C33	Dio	A	SOT23	dual cc zener 33V 0.3W
KVS	DZZ23C36	Dio	A	SOT23	dual cc zener 36V 0.3W
KVT	DZZ23C39	Dio	A	SOT23	dual cc zener 39V 0.3W
KVU	DZZ23C43	Dio	A	SOT23	dual cc zener 43V 0.3W
KVV	DZZ23C47	Dio	A	SOT23	dual cc zener 47V 0.3W
KVW	DZZ23C51	Dio	A	SOT23	dual cc zener 51V 0.3W

Last Updated on 10/07/2006

By GM4PMK

GM4PMK's SMD Codebook

Codes beginning with 'L'

Code	Device	Manf	Base	Package	Leaded Equivalent/Data
L	BAT62-03W	Sie	I	SOD323	BAT62 schottky detector
L	BBY53-02W	Sie	I	SCD80	varicap 5.3-2.2 pF
L	BB14	Phi	I	SOD 523	Low Voltage Varicap
L0	HSMP-386B	HP	C	SOT323	gp RF pin diode
L0	HSMP-3860	HP	C	SOT23	dual series pin diode
L0	BAT721S	Phi	C	SOT23	dual series 40V 200mA schottky
L0p	BAT721S	Phi	C	SOT23	dual series 40V 200mA schottky
L0t	BAT721S	Phi	C	SOT23	dual series 40V 200mA schottky
L0W	BAT721S	Phi	C	SOT23	dual series 40V 200mA schottky
L1	BSS65	Zet	N		pnp 12V 0.1A 400MHz sw
L10	ZLLS1000	Zet	C	SOT23	schottky 40V 1.1A low leakage high temp
L2	BB202	Phi	I	SOD 523	Low Voltage Varicap
L2	HSMP-3862	HP	D	SOT23	dual RF pin diode
L2	BSS69	Zet	N		pnp 40V 0.1A 200MHz sw
L2	BAT42W	CSC	I	SOD123	schottky
L2	EDZ9.1B	Roh	I	EMD2	150mW zener 9.1V
L2	VDZ9.1B	Roh	I	VMD2	150mW zener 9.1V
L3	BSS70	Zet	N		pnp 40V 0.1A 200MHz sw
L3	MMBC1623L3	Mot	N		npn 40V gp
L3	HSMP-3863	HP	A	SOT23	ca gp RF pin diode
L3	BAT43W	CSC	I	SOD123	schottky
L4	HSMP-3864	HP	B	SOT23	cc gp RF pin diode
L4	BAT54W	Phi	C	SOT323	BAT85 schottky 30V 0.2A
L4	BAT54W	CSC	I	SOD123	schottky
L4p	BAT54	Phi	C	SOT23	BAT85 schottky 30V 0.2A
L4t	BAT54	Phi	C	SOT23	BAT85 schottky 30V 0.2A
L4W	BAT54	Phi	C	SOT23	BAT85 schottky 30V 0.2A

L4Z	BAT54	Zet	C	SOT23	BAT85 schottky 30V 0.2A
L4	MMBC1623L4	Mot	N		npn 40V gp
L5	BSS65R	Zet	R		pnp 12V 0.1A 400MHz sw
L5	MMBC1623L5	Mot	N		MPS3904 hfe 135-270
L6	BAR17	Sie	C		pin diode
L6	BSS69R	Zet	N		pnp 40V 0.1A 200MHz sw
L6	MMBC1623L6	Mot	N		MPS3904 hfe 200-400
L6	BAT46W	CSC	I	SOD123	schottky
L7p	BAT721	Phi	C	SOT23	40V 200mA schottky
L7t	BAT721	Phi	C	SOT23	40V 200mA schottky
L8W	BAT721	Phi	C	SOT23	e 40V 200mA schottky
L7	BSS70R	Zet	N		pnp 40V 0.1A 200MHz sw
L7	MMBC1623L7	Mot	N		MPS3904 hfe 300-600
L7	BAR14-1	Sie	D		dual pin 100mA max
L7	BAT17W	CSC	I	SOD123	schottky
L8	BAT721A	Phi	A	SOT23	dual ca 40V 200mA schottky
L8p	BAT721A	Phi	A	SOT23	dual ca 40V 200mA schottky
L8t	BAT721A	Phi	A	SOT23	dual ca 40V 200mA schottky
L8W	BAT721A	Phi	A	SOT23	dual ca 40V 200mA schottky
L8	BAR15-1	Sie	A		dual pin 100mA max
L9	BAT721C	Phi	B	SOT23	dual cc 40V 200mA schottky
L9p	BAT721C	Phi	B	SOT23	dual cc 40V 200mA schottky
L9t	BAT721C	Phi	B	SOT23	dual cc 40V 200mA schottky
L9W	BAT721C	Phi	AB	SOT23	dual cc 40V 200mA schottky
L9	BAR16-1	Sie	B		dual pin 100mA max
L9	1SS349	Tosh	C	SC59	dual cc schottky 20V 1.0A
L14	DTB114GK	Rho	N	SC59	pnp dtr 0.5A, R2 10k
L20	BAS29	Nat	C	SOT23	Si diode 120V 50mA
L21	BAS31	Nat	D	SOT23	dual BAS29 diodes
L22	BAS35	Nat	A	SOT23	dual BAS29 diodes
L14	DTD114GK	Rho	N	SC59	npn dtr 0.5A, R2 10k
L30	BAV23	Phi	S	SOT143	dual 200V 225mA diodes
L41	BAT74	Phi	S	SOT143	2x BAT85
L42p	BAT54A	Phi	A	SOT23	dual c anode schottky 30V 0.2A

L42t	BAT54A	Phi	A	SOT23	dual c anode schottky 30V 0.2A
L42W	BAT54A	Phi	A	SOT23	dual c anode schottky 30V 0.2A
L43p	BAT54C	Phi	B	SOT23	dual c cathode schottky 30V 0.2A
L43t	BAT54C	Phi	B	SOT23	dual c cathode schottky 30V 0.2A
L43W	BAT54C	Phi	B	SOT23	dual c cathode schottky 30V 0.2A
L44p	BAT54S	Phi	D	SOT23	dual series schottky 30V 0.2A
L44t	BAT54S	Phi	D	SOT23	dual series schottky 30V 0.2A
L44W	BAT54S	Phi	D	SOT23	dual series schottky 30V 0.2A
L51	BAS56	Phi	S	SOT143	dual 60V 200mA ultra fast sw diodes
L77	FMMTL717	Zet	N	SOT23	pnv 12V 1.25A hfe 300
L78	FMMTL718	Zet	N	SOT23	pnv 20V 1A hFfe 200
LAp	BF550	Phi	N	SOT23	pnv 40V 25mA
LB	S525T	Tfk	G		n-ch vhf mosfet 200MHz
LBs	BF999	Sie	G	SOT23	n-ch vhf mosfet 300MHz
LDs	BF543	Sie	G	SOT23	n-ch vhf mosfet 300MHz
LEs	BF660	Sie	N	SOT23	BF606A pnv vhf osc fT 800MHz
LG	2SC4116		N		npn
LGs	BF775A	Sie	N	SOT23	npn RF fT 5.6GHz for IF amp
LHs	BF569	Sie	N	SOT23	BF970 pnv RF
LKs	BF799	Sie	N	SOT23	BF959
LKs	BF799W	Sie	N	SOT323	BF959
LH	BF569R	Tfk	R		BF970 pnv RF
LM	BST120	Phi	T		p-ch DMOSfet 60V 0.3A
LN	BST122	Phi	T		p-ch DMOSfet 50V 0.25A
LKs	BF799	Sie	N	SOT23	BF959
LKs	BF799W	Sie	N	SOT323	BF959
LOs	BF775	Sie	N	SOT23	BFQ69
LOs	BF775W	Sie	N	SOT323	BFQ69
LP	CMDZ5L1	CSC	I	SOD323	zener 250mW Iz 0.5mA 5.1V
LRs	BF517	Sie	T	SOT23	BF763 2.5 GHz
LSs	BF770A	Sie	N	SOT23	npn low noise RF, Ft 6GHz

Last Updated on 10/07/2006

By GM4PMK

GM4PMK's SMD Codebook

Codes beginning with 'M'

Code	Device	Manf	Base	Package	Leaded Equivalent/Data
M (blue)	BAR65-03W	Sie	I	SOD323	pin diode
M (white)	BBY55-03W	Sie	I	SOD323	5.4-2.3pF varicap in
M	BAR64-02W	Sie	I	SCD80	pin diode
M	BAR65-07	Sie	S	SOT143	dual pin diode
M01	BF901	Phi	W	SOT143	N-ch dg mosfet
M02	BF901R	Phi	UQ	SOT143	N-ch dg mosfet
M04	BF904	Phi	W	SOT143B	N-ch dg mosfet
M06	BF904R	Phi	UQ	SOT143	N-ch dg mosfet
M08	PMBFJ308	Phi	F	SOT23	VHF n-ch JFET J308
M09	PMBFJ309	Phi	F	SOT23	VHF n-ch JFET J309
M1	BFR30	Phi	F	SOT23	BFW11 BF245
M1	MMSZ5256	Vis	I	SOD123	zener 300mW 5% 30V
M1B	MMBT2222L	Mot	N	SOT23	2N2222
M1E	MMBTA43L	Mot	N	SOT23	MPSA43 200V Vce npn
M1F	MMBT5550L	Mot	N	SOT23	2N5550 npn 140V
M1J	MMBT2369L	Mot	N	SOT23	2N2369A
M2	BFR31	Phi	F	SOT23	BFW12 BF245
M2	MMSZ5257	Vis	I	SOD123	zener 300mW 5% 33V
M2B	MMBT2907L	Mot	N	SOT23	2N2907 pnp gp
M2C	MMBTA70L	Mot	N	SOT23	gp pnp MPSA70
M3	BFT46	Phi	F	SOT23	n-ch fet gp low level amp
M3	MMBA812M3	Mot	N		2N5086 hfe 60-120 pnp
M3	MMSZ5258	Vis	I	SOD123	zener 300mW 5% 36V
M3A	MMBTH24L	Mot	N	SOT23	nnp VHF amp 400MHz fT 30V
M3B	MMBT918L	Mot	N	SOT23	2N918 UHF amp
M3J	MMBTH69L	Mot	N	SOT23	pnp VHF amp 2GHz fT 15V

M4	BSR56	Phi	F		2N4856 n-ch fet
M4	MBD110DW	Mot	DL	SOT363	dual UHF schottky
M4	MMSZ5259	Vis	I	SOD123	zener 300mW 5% 39V
M4A	MMBV109	Mot	C	SOT323	Hyperabrupt varicap
M4B	MMBV432	Mot	B	SOT23	dual cc varicap 45pF/2V
M4C	MMBV3102	Mot	C	SOT23	Hyperabrupt varicap
M4E	MMBV105G	Mot	C	SOT23	Hyperabrupt varicap
M4F	MMBD353	Mot	D	SOT23	dual MBD101 in series
M4G	MMBV2101	Mot	C	SOT23	varicap 6.8pF MV2101
M5	BSR57	Phi	F		2N5457 n-ch fet
M5	MMBA812M5	Mot	N		2N5086 hfe 135-270 pnp
M5	MMSZ5260	Vis	I	SOD123	zener 300mW 5% 43V
M5C	MMBD7000	Mot	D	SOT23	100V 2x series sw diodes
M5	MMBD352W	Mot	Z	SOT323	2x MBD101 in series
M6	BSR58	Phi	F	SOT23	2N4858 n-ch fet
M6	MMBA812M6	Mot	N		2N5086 hfe 200-400 pnp
M6	BSS66	Zet	N		nnp 40V 0.1A sw fT 250MHz
M6A	MMBF4416	Mot	F	SOT23	2N4416 n-ch rf jfet
M6B	MMBF5484	Mot	F	SOT23	2N5484 n-ch rf jfet
M6C	MMBFU310	Mot	F	SOT23	U310 n-ch rf jfet
M6E	MMBF5460	Mot	F	SOT23	2N5460 n-ch rf jfet
M6H	MMBD354	Mot	A	SOT23	dual MBD101 cc
M7	BSS67	Zet	N		nnp 40V 0.1A sw fT 300MHz
M7	MMBA812M7	Mot	N		2N5086 hfe 300-600 pnp
M8	BSS66R	Zet	R		nnp 40V 0.1A sw fT 250MHz
M8	BSH103	Phi	M	SOT23	n-ch 50V 0.11A mosfet
M8p	BSN20	Phi	M	SOT23	n-ch 50V 0.11A mosfet
M9	BSS67R	Zet	R		nnp 40V 0.1A sw fT 300MHz
M10	PMBFJ310	Phi	F	SOT23	J310 n-ch jfet
M16	PMBF4416A	Phi	ZC	SOT23	2N4416A n-ch jfet
M26	BF908	Phi	W	SOT143	UHF n-ch dg mosfet
M27	BF908R	Phi	UQ	SOT143	UHF n-ch dg mosfet
M28	BF909	Phi	W	SOT143	UHF n-ch dg mosfet
M29	BF909R	Phi	UQ	SOT143	UHF n-ch dg mosfet

M31	BSD20	Phi	XQ		n-ch depl sw mosfet 10V
M32	BSD22	Phi	XQ		n-ch depl sw mosfet 20V
M33	BF861A	Phi	ZC	SOT23	n-ch jfet
M34	BF861B	Phi	ZC	SOT23	n-ch jfet
M35	BF861C	Phi	ZC	SOT23	n-ch jfet
M52	BF992R	Phi	UQ	SOT143R	n-ch dg mosfet
M56	BF1100	Phi	W	SOT143	dg mosfet 14V 30mA 0.2W
M57	BF1100R	Phi	UQ	SOT143R	dg mosfet 14V 30mA 0.2W
M65	BF545A	Phi	ZC	SOT23	VHF n-ch jfet
M66	BF545B	Phi	ZC	SOT23	VHF n-ch jfet
M67	BF545C	Phi	ZC	SOT23	VHF n-ch jfet
M68	PMBFJ210	Phi	ZC	SOT23	n-ch jfet J210
M69	PMBFJ211	Phi	ZC	SOT23	n-ch jfet J211
M70	PMBFJ212	Phi	ZC	SOT23	n-ch jfet J212
M74	BSS83	Phi	XQ		n-ch enh sw mosfet
M84	BF556A	Phi	ZC	SOT23	VHF n-ch jfet
M85	BF556B	Phi	ZC	SOT23	VHF n-ch jfet
M86	BF556C	Phi	ZC	SOT23	VHF n-ch jfet
M87	BF990A	Phi	W	SOT23	UHF n-ch dg mosfet
M90	BF990	Phi	W		BF980
M91	BF991	Phi	W		BF981
M92	BF992	Phi	W		BF982
M94	BF994	Phi	W		BF964
M96	BF996	Phi	W		BF966
M97	BFR101A				
M98	BFR101B				
MA	M1MA151AT	Mot	E	SOT346	40V 100mA sw diode
MA	MBT3904DW1	Mot	DN	SOT363	dual 2N3904
MA	M1MA152AT	Mot	E	SOT346	80V 100mA sw diode
MA	BFS17		N	SOT23	BFW92
MAp	BF989	Phi	W	SOT143	n-ch dg mosfet
MB	BF998WR	Phi	UQ	SOT343	n-ch vhf dg mosfet BF988
MB	BF995	Sie	UQ		n-ch vhf dg mosfet BF961
MB	MBT3904DW9	Mot			dual 2N3904

MCs	BFS17P	Sie	N	SOT23	BFW92
MCs	BFS17PW	Sie	N	SOT323	BFW92
MC	ZVN3306F	Zet	M	SOT23	n-ch mosfet 60V 150mA
MC	BF904WR	Phi	UQ	SOT343R	n-ch uhf dg mosfet
MD	BF908WR	Phi	UQ	SOT343R	n-ch uhf dg mosfet
MF	ZVN3310F	Zet	M	SOT23	n-ch mosfet 100V 100mA
MF	BF1100WR	Phi	UQ	SOT343R	n-ch uhf dg mosfet
MG	BF994S	Tfk	W		BF964 n-ch dg vhf mosfet
MGp	BF994S	Phi	W	SOT343	BF964 n-ch dg vhf mosfet
MH	BF996S	Tfk	W		BF966 n-ch dg vhf mosfet
MH	BF996S	Phi	W	SOT343	BF966 n-ch dg vhf mosfet
MH	M1MA141KT	Mot	C	SOT323	40V 100mA sw diode
MH	M1MA151KT	Mot	C	SOT346	40V 100mA sw diode
MI	M1MA142KT	Mot	C	SOT323	80V 100mA sw diode
MI	M1MA152KT	Mot	C	SOT346	80V 100mA sw diode
ML	ZVP3306F	Zet	M	SOT23	p-ch mosfet 60V 90mA
MN	M1MA141WA	Mot	A	SOT323	d diode ca 40V 100mA
MN	M1MA151WA	Mot	A	SOT346	d diode ca 40V 100mA
MO	M1MA142W	Mot	A	SOT323	d diode ca 80V 100mA
MO	M1MA152W	Mot	A	SOT346	d diode ca 80V 100mA
MOs	BF998	Sie	W	SOT143	n-ch vhf dg mosfet BF988
MOR	BF998R	Tfk	UQ	SOT143R	n-ch vhf dg mosfet BF988
MOp	BF998	Phi	W	SOT143	n-ch vhf dg mosfet BF988
MOp	BF998R	Sie	UQ	SOT143R	n-ch vhf dg mosfet BF988
MR	BF998W	Sie	UQ	SOT143R	n-ch vhf dg mosfet BF988
MR	ZVP3310F	Zet	M	SOT23	p-ch mosfet 100V 75mA
MS	CF739	Sie	W		dg GaAsfet 2GHz
MT	M1MA141WK	Mot	B	SOT323	dual diode cc 40V 100mA
MT	M1MA151WK	Mot	B	SOT346	dual diode cc 40V 100mA
MU	M1MA142WK	Mot	B	SOT323	dual diode cc 80V 100mA
MU	M1MA152WK	Mot	B	SOT346	dual diode cc 80V 100mA
MU	ZVN3320F	Zet	M	SOT23	n-ch mosfet 200V 60mA
MX	CF750	Sie	U		biased dg GaAsfet, 3-6V
MY	VN10LF	Zet	M	SOT23	n-ch mosfet 60V 150mA

MY	BF1012	Sie	W		n-ch dg mosfet 1GHz 12V
MZ	ZVN4106F	Zet	M	SOT23	n-ch mosfet 60V 200mA
MZ	BF1005	Sie	W		n-ch dg mosfet 1GHz 5V

*Last updated 10/07/2006
by GM4PMK*

GM4PMK's SMD Codebook

Codes beginning with 'N'

Code	Device	Manf	Base	Package	Leaded Equivalent/Data
N	DAN202K	Roh	B		80V 100mA dual diode
N	RN242CS	Roh	I	VMN2	HF pin diode
N	BB181	Phi	I	SOD 523	VHF Varicap 1-15pF
N0	TN0200T	Nat	M	SOT23	n-ch mosfet 0.6A Id
N1	MMBT100	Nat	N		npn gp sw 500mA
N1	MMBF201N	Mot	M	SOT23	n-ch tmosfet 20V 0.3A Id
N1	MRF571	Mot	N	SOT416	8 GHz 40mA npn RF
N1	TN0201T	Tem	M	SOT23	n-ch mosfet 0.3A Id 0.2W
N1	MMSZ5261	Vis	I	SOD123	zener 300mW 5% 47V
N2	MGSF1N02LT1	Mot	M	SOT23	n-ch mosfet, 20V 85mA
N2	MMBC1653N2	Mot	N		npn 130V 50mA hfe 50-130
N2	BFS520	Phi	N	SOT323	npn RF 9GHz 70mA
N2	MMSZ5262	Vis	I	SOD123	zener 300mW 5% 51V
N3	MMBC1653N3	Mot	N		npn 130V 50mA hfe 100-220
N3	MGSF1N03L	Mot	M	SOT23	n-ch TMOS mosfet 30V 0.75A
N3	MMSZ5263	Vis	I	SOD123	zener 300mW 5% 56V
N3	1PS66SB62	Phi	DY	SOT666	3 x 40V 20ma low C schottky diodes
N4	MMBC1653N4	Mot	N		npn 130V 50mA hfe 150-330
N4	MMSZ5264	Vis	I	SOD123	zener 300mW 5% 60V
N5	MMBC1654N5	Mot	N		npn 160V 50mA hfe 50-130
N5	MMSZ5265	Vis	I	SOD123	zener 300mW 5% 62V
N6	MMBC1653N6	Mot	N		npn 160V 50mA hfe 100-220
N6	BFS25A	Phi	N	SOT323	npn RF 5GHz 6.5mA 32 mW
N7	MMBC1653N7	Mot	N		npn 160V 50mA hfe 150-330
N9	1SS372	Tosh	D	SC70	dual series schottky 10V 0.1A low Vf

N9	1SS374	Tosh	D	SC59	dual series schottky 10V 0.1A low Vf
N9	DAN222	Mot	B	SOT416	dual cc si diode
N01	DDTC113TE	Dio	N	SOT523	dtr npn 50V 0.1A R1 1k0 0.15W
N01	DDTC113TUA	Dio	N	SOT323	dtr npn 50V 0.1A R1 1k0 0.2W
N01	DDTC113TCA	Dio	N	SOT23	dtr npn 50V 0.1A R11k0 0.2W
N01	DDTC113TKA	Dio	N	SC59	dtr npn 50V 0.1A R1 1k0 0.2W
N02	DDTC113ZE	Dio	N	SOT523	dtr npn 50V 0.1A res 1k0/10k 0.15W
N02	DDTC113ZUA	Dio	N	SOT323	dtr npn 50V 0.1A res 1k0/10k 0.2W
N02	DDTC113ZCA	Dio	N	SOT23	dtr npn 50V 0.1A res 1k0/10k 0.2W
N02	DDTC113ZKA	Dio	N	SC59	dtr npn 50V 0.1A res 1k0/10k 0.2W
N03	DDTC123TE	Dio	N	SOT523	dtr npn 50V 0.1A R1 2k2 0.15W
N03	DDTC123TUA	Dio	N	SOT323	dtr npn 50V 0.1A R1 2k2 0.2W
N03	DDTC123TCA	Dio	N	SOT23	dtr npn 50V 0.1A R1 2k2 0.2W
N03	DDTC123TKA	Dio	N	SC59	dtr npn 50V 0.1A R1 2k2 0.2W
N04	DDTC123EE	Dio	N	SOT523	dtr npn 50V 0.1A res 2k2/2k2 0.15W
N04	DDTC123EUA	Dio	N	SOT323	dtr npn 50V 0.1A res 2k2/2k2 0.2W
N04	DDTC123ECA	Dio	N	SOT23	dtr npn 50V 0.1A res 2k2/2k2 0.2W
N04	DDTC123EKA	Dio	N	SC59	dtr npn 50V 0.1A res 2k2/2k2 0.2W
N05	SO2484	SGS	N		2N2484
N05	DDTC123YE	Dio	N	SOT523	dtr npn 50V 0.1A res 2k2/10k 0.15W
N05	DDTC123YUA	Dio	N	SOT323	dtr npn 50V 0.1A res 2k2/10k 0.2W
N05	DDTC123YCA	Dio	N	SOT23	dtr npn 50V 0.1A res 2k2/10k 0.2W
N05	DDTC123YKA	Dio	N	SC59	dtr npn 50V 0.1A res 2k2/10k 0.2W

N06	DDTC123JE	Dio	N	SOT523	dtr npn 50V 0.1A res 2k2/47k 0.15W
N06	DDTC123JUA	Dio	N	SOT323	dtr npn 50V 0.1A res 2k2/47k 0.2W
N06	DDTC123JCA	Dio	N	SOT23	dtr npn 50V 0.1A res 2k2/47k 0.2W
N06	DDTC123JKA	Dio	N	SC59	dtr npn 50V 0.1A res 2k2/47k 0.2W
N06	DDC123JU	Dio	DN	SOT363	dual dtr npn 50V 0.1A 2k2/47k
N06	DDC123JK	Dio	DN	SOT26	dual dtr npn 50V 0.1A 2k2/47k
N07	DDTC143TE	Dio	N	SOT523	dtr npn 50V 0.1A R1 4k7 0.15W
N07	DDTC143TUA	Dio	N	SOT323	dtr npn 50V 0.1A R1 4k7 0.2W
N07	DDTC143TCA	Dio	N	SOT23	dtr npn 50V 0.1A R1 4k7 0.2W
N07	DDTC143TKA	Dio	N	SC59	dtr npn 50V 0.1A R1 4k7 0.2W
N07	DDC143TU	Dio	DN	SOT363	dual dtr npn 50V 0.1A R1 4k7
N07	DDC143TK	Dio	DN	SOT26	dual dtr npn 50V 0.1A R1 4k7
N08	DDTC143EE	Dio	N	SOT523	dtr npn 50V 0.1A 4k7/4k7 0.15W
N08	DDTC143EUA	Dio	N	SOT323	dtr npn 50V 0.1A 4k7/4k7 0.2W
N08	DDTC143ECA	Dio	N	SOT23	dtr npn 50V 0.1A 4k7/4k7 0.2W
N08	DDTC143EKA	Dio	N	SC59	dtr npn 50V 0.1A 4k7/4k7 0.2W
N08	SO930	SGS	N		2N930
N09	DDTC123XE	Dio	N	SOT523	dtr npn 50V 0.1A res 4k7/10k 0.15W
N09	DDTC123XUA	Dio	N	SOT323	dtr npn 50V 0.1A res 4k7/10k 0.2W
N09	DDTC123XCA	Dio	N	SOT23	dtr npn 50V 0.1A res 4k7/10k 0.2W
N09	DDTC123XKA	Dio	N	SC59	dtr npn 50V 0.1A res 4k7/10k 0.2W
N10	SO918	SGS	N		2N918
N10	DDTC143FE	Dio	N	SOT523	dtr npn 50V 0.1A 4k7/22k 0.15W
N10	DDTC143FUA	Dio	N	SOT323	dtr npn 50V 0.1A 4k7/22k 0.2W
N10	DDTC143FCA	Dio	N	SOT23	dtr npn 50V 0.1A 4k7/22k 0.2W
N10	DDTC143FKA	Dio	N	SC59	dtr npn 50V 0.1A 4k7/22k 0.2W
N11	DDTC143ZE	Dio	N	SOT523	dtr npn 50V 0.1A 4k7/47k 0.15W
N11	DDTC143ZUA	Dio	N	SOT323	dtr npn 50V 0.1A 4k7/47k 0.2W

N11	DDTC143ZCA	Dio	N	SOT23	dtr npn 50V 0.1A 4k7/47k 0.2W
N11	DDTC143ZKA	Dio	N	SC59	dtr npn 50V 0.1A 4k7/47k 0.2W
N11	SO2369	SGS	N		2N2369
N12	SO2221	SGS	N		2N2221
N12	DDTC114TE	Dio	N	SOT523	dtr npn 50V 0.1A R1 10k 0.15W
N12	DDTC114TUA	Dio	N	SOT323	dtr npn 50V 0.1A R1 10k 0.2W
N12	DDTC114TCA	Dio	N	SOT23	dtr npn 50V 0.1A R110k 0.2W
N12	DDTC114TKA	Dio	N	SC59	dtr npn 50V 0.1A R1 10k 0.2W
N12	DDC114TU	Dio	DN	SOT363	dual dtr npn 50V 0.1A R1 10k
N12	DDC114TK	Dio	DN	SOT26	dual dtr npn 50V 0.1A R1 10k
N13	DDTC114EE	Dio	N	SOT523	dtr npn 50V 0.1A 10k/10k 0.15W
N13	DDTC114EUA	Dio	N	SOT323	dtr npn 50V 0.1A 10k/10k 0.2W
N13	DDTC114ECA	Dio	N	SOT23	dtr npn 50V 0.1A 10k/10k 0.2W
N13	DDTC114EKA	Dio	N	SC59	dtr npn 50V 0.1A 10k/10k 0.2W
N13	DDC114EU	Dio	DN	SOT363	dual dtr npn 50V 0.1A 10k/10k
N13	DDC114EK	Dio	DN	SOT26	dual dtr npn 50V 0.1A 10k/10k
N13	SO2222	SGS	N		2N2222
N14	DDTC114YE	Dio	N	SOT523	dtr npn 50V 0.1A 10k/47k 0.15W
N14	DDTC114YUA	Dio	N	SOT323	dtr npn 50V 0.1A 10k/47k 0.2W
N14	DDTC114YCA	Dio	N	SOT23	dtr npn 50V 0.1A 10k/47k 0.2W
N14	DDTC114YKA	Dio	N	SC59	dtr npn 50V 0.1A 10k/47k 0.2W
N14	DDC114YU	Dio	DN	SOT363	dual dtr npn 50V 0.1A 10k/47k
N14	DDC114YK	Dio	DN	SOT26	dual dtr npn 50V 0.1A 10k/47k
N15	DDTC114WE	Dio	N	SOT523	dtr npn 50V 0.1A 10k/47k 0.15W
N15	DDTC114WUA	Dio	N	SOT323	dtr npn 50V 0.1A 10k/47k 0.2W
N15	DDTC114WCA	Dio	N	SOT23	dtr npn 50V 0.1A 10k/47k 0.2W
N15	DDTC114WKA	Dio	N	SC59	dtr npn 50V 0.1A 10k/47k 0.2W
N16	DDTC124TE	Dio	N	SOT523	dtr npn 50V 0.1A R1 22k 0.15W
N16	DDTC124TUA	Dio	N	SOT323	dtr npn 50V 0.1A R1 22k 0.2W
N16	DDTC124TCA	Dio	N	SOT23	dtr npn 50V 0.1A R1 22k 0.2W
N16	DDTC124TKA	Dio	N	SC59	dtr npn 50V 0.1A R1 22k 0.2W
N17	DDTC124EE	Dio	DN	SOT523	dtr npn 50V 0.1A 22k/22k 0.15W
N17	DDTC124EUA	Dio	DN	SOT323	dtr npn 50V 0.1A 22k/22k 0.2W
N17	DDTC124ECA	Dio	DN	SOT23	dtr npn 50V 0.1A 22k/22k 0.2W

N17	DDTC124EKA	Dio	DN	SC59	dtr npn 50V 0.1A 22k/22k 0.2w
N17	DDC124EU	Dio	DN	SOT363	dual dtr npn 50V 0.1A 22k/22k
N17	DDC124EK	Dio	DN	SOT26	dual dtr npn 50V 0.1A 22k/22k
N18	SO1711	SGS	N		2N1711
N18	DDTC124XE	Dio	N	SOT523	dtr npn 50V 0.1A 22k/47k 0.15W
N18	DDTC124XUA	Dio	N	SOT323	dtr npn 50V 0.1A 22k/47k 0.2W
N18	DDTC124XCA	Dio	N	SOT23	dtr npn 50V 0.1A 22k/47k 0.2W
N18	DDTC124XKA	Dio	N	SC59	dtr npn 50V 0.1A 22k/47k 0.2W
N19	DDTC144TE	Dio	N	SOT523	dtr npn 50V 0.1A R1 47k 0.15W
N19	DDTC144TUA	Dio	N	SOT323	dtr npn 50V 0.1A R1 47k 0.2W
N19	DDTC144TCA	Dio	N	SOT23	dtr npn 50V 0.1A R1 47k 0.2W
N19	DDTC144TKA	Dio	N	SC59	dtr npn 50V 0.1A R1 47k 0.2W
N20	DDTC124EE	Dio	N	SOT523	dtr npn 50V 0.1A 22k/22k 0.15W
N20	DDTC124EUA	Dio	N	SOT323	dtr npn 50V 0.1A 22k/22k 0.2W
N20	DDTC124ECA	Dio	N	SOT23	dtr npn 50V 0.1A 22k/22k 0.2W
N20	DDTC124EKA	Dio	N	SC59	dtr npn 50V 0.1A 22k/22k 0.2W
N20	DDC144EU	Dio	DN	SOT363	dual dtr npn 50V 0.1A 47k/47k
N20	DDC144EK	Dio	DN	SOT26	dual dtr npn 50V 0.1A 47k/47k
N20	SO2222A	SGS	N		2N2222A
N21	DDTC144VE	Dio	N	SOT523	dtr npn 50V 0.1A 47k/10k 0.15W
N21	DDTC144VUA	Dio	N	SOT323	dtr npn 50V 0.1A 47k/10k 0.2W
N21	DDTC144VCA	Dio	N	SOT23	dtr npn 50V 0.1A 47k/10k 0.2W
N21	DDTC144VKA	Dio	N	SC59	dtr npn 50V 0.1A 47k/10k 0.2W
N22	DDTC144WE	Dio	N	SOT523	dtr npn 50V 0.1A 47k/22k 0.15W
N22	DDTC144WUA	Dio	N	SOT323	dtr npn 50V 0.1A 47k/22k 0.2W
N22	DDTC144WCA	Dio	N	SOT23	dtr npn 50V 0.1A 47k/22k 0.2W
N22	DDTC144WKA	Dio	N	SC59	dtr npn 50V 0.1A 47k/22k 0.2W
N23	DDTC115TE	Dio	N	SOT523	dtr npn 50V 0.1A R1 100k 0.15W
N23	DDTC115TUA	Dio	N	SOT323	dtr npn 50V 0.1A R1 100k 0.2W
N23	DDTC115TCA	Dio	N	SOT23	dtr npn 50V 0.1A R1 100k 0.2W
N23	DDTC115TKA	Dio	N	SC59	dtr npn 50V 0.1A R1 100k 0.2W
N24	DDTC115EE	Dio	N	SOT523	dtr npn 50V 0.1A 100k/100k 0.15W

N24	DDTC115EUA	Dio	N	SOT323	dtr npn 50V 0.1A 100k/100k 0.2W
N24	DDTC115ECA	Dio	N	SOT23	dtr npn 50V 0.1A 100k/100k 0.2W
N24	DDTC115EKA	Dio	N	SC59	dtr npn 50V 0.1A 100k/100k 0.2W
N25	DDTC125TE	Dio	N	SOT523	dtr npn 50V 0.1A R1 200k 0.15W
N25	DDTC125TUA	Dio	N	SOT323	dtr npn 50V 0.1A R1 200k 0.2W
N25	DDTC125TCA	Dio	N	SOT23	dtr npn 50V 0.1A R1 200k 0.2W
N25	DDTC125TKA	Dio	N	SC59	dtr npn 50V 0.1A R1 200k 0.2W
N26	DDTC114GE	Dio	N	SOT523	dtr npn 50V 0.1A R2 10k 0.15W
N26	DDTC114GUA	Dio	N	SOT323	dtr npn 50V 0.1A R2 10k 0.2W
N26	DDTC114GCA	Dio	N	SOT23	dtr npn 50V 0.1A R2 10k 0.2W
N26	DDTC114GKA	Dio	N	SC59	dtr npn 50V 0.1A R2 10k 0.2W
N27	SO1893	SGS	N		2N1893
N27	DDTC124GE	Dio	N	SOT523	dtr npn 50V 0.1A R2 22k 0.15W
N27	DDTC124GUA	Dio	N	SOT323	dtr npn 50V 0.1A R2 22k 0.2W
N27	DDTC124GCA	Dio	N	SOT23	dtr npn 50V 0.1A R2 22k 0.2W
N27	DDTC124GKA	Dio	N	SC59	dtr npn 50V 0.1A R2 22k 0.2W
N28	BFR520	Phi	N	SOT23	npn RF 9GHz 70mA
N28	DDTC144GE	Dio	N	SOT523	dtr npn 50V 0.1A R2 47k 0.15W
N28	DDTC144GUA	Dio	N	SOT323	dtr npn 50V 0.1A R2 47k 0.2W
N28	DDTC144GCA	Dio	N	SOT23	dtr npn 50V 0.1A R2 47k 0.2W
N28	DDTC144GKA	Dio	N	SC59	dtr npn 50V 0.1A R2 47k 0.2W
N29	BFR540	Phi	N	SOT23	npn RF 9GHz 120mA
N29	DDTC115GE	Dio	N	SOT523	dtr npn 50V 0.1A R2 100k 0.15W
N29	DDTC115GUA	Dio	N	SOT323	dtr npn 50V 0.1A R2 100k 0.2W
N29	DDTC115GCA	Dio	N	SOT23	dtr npn 50V 0.1A R2 100k 0.2W
N29	DDTC115GKA	Dio	N	SC59	dtr npn 50V 0.1A R2 100k 0.2W
N30	BFR505	Phi	N	SOT23	npn RF 9GHz 15V 18mA
N33	BFG505	Phi	TQ	SOT143	npn RF 9GHz 15V 18mA
N36	BFG520	Phi	X	SOT143	npn RF 9GHz 70mA
N37	BFG540	Phi	X	SOT143	npn RF 9GHz 120mA
N38	BFG590	Phi	TQ	SOT143	npn RF 5GHz 15V 0.2A
N39	BFG505X	Phi	X		npn RF 9GHz 15V 18mA

N44	BFG590X	Phi	X		npn RF 5GHz 15V 0.2A
N54	SO2221A	SGS	N		2N2221A
N70	BFG10	Phi	TQ	SOT143	npn 8V 250mA 1.8GHz pwr amp
N71	SO3904	SGS	N		2N3904
N71	BFG10X	Phi	X		8V 250mA 1.8GHz pwr amp
N72	BFG11	Phi	TQ	SOT143	8V 400mA 1.8GHz pwr amp
N72	SO3903	SGS	N		2N3903
N73	BFG11X	Phi	X		8V 400mA 1.8GHz pwr amp
N79	SO5550	SGS	N		2N5550
N80	SO5551	SGS	N		2N5551
N81	SO2369A	SGS	N		2N2369A
N91	SO642	SGS	N		npn Vce 300V
N94	SO517	SGS	N		npn darlington
NA	CFY35-20	Sie	DM		10GHz GaAsfet
NA	BF1105WR	Phi	UQ	SOT343R	uhf n-ch dg mosfet
NAp	BF1105R	Phi	UQ	SOT143R	uhf n-ch dg mosfet
NB	BF1109WR	Phi	UQ	SOT343R	uhf n-ch dg mosfet
NBp	BF1109R	Phi	UQ	SOT143R	uhf n-ch dg mosfet
NEp	BF1105	Phi	UQ	SOT143	uhf n-ch dg mosfet
NFp	BF1109	Phi	UQ	SOT143	uhf n-ch dg mosfet
NB	CFY35-23	Sie	DM		10GHz GaAsfet
NP	CMDZ5L6	CSC	I	SOD323	zener 250mW Iz 0.5mA 5.6V
NY	BF1012s	Sie	W		n-ch dg mosfet 1GHz 12V
NZ	MGSF1N02L	Mot	M		n-ch TMOS FET

*Last Updated on 10/07/2006
By GM4PMK*

GM4PMK's SMD Codebook

Codes beginning with 'O'

be sure to check the '0' (zero) table as well

Code	Device	Manf	Base	Package	Leaded Equivalent/Data
O (white)	BAT14-03W	Sie	I	SOD323	RF Schottky 4V 90mA
O05	SO2484R	SGS	R		2N2484
O08	SO930R	SGS	R		2N930
O9	1SS385F	Tosh	B	ESM	2 x 10V 0.1A cc schottky
O9	1SS385	Tosh	B	SSM	2 x 10V 0.1A cc schottky
O9	1SS378	Tosh	B	SC70	2 x 10V 0.1A cc schottky
O9	1SS377	Tosh	B	sc59	2 x 10V 0.1A cc schottky
O10	SO918R	SGS	R		2N918
O12	SO2221R	SGS	R		2N2221
O13	SO2222R	SGS	R		2N2222
O2	BST82	Phi	M	SOT23	n-ch mosfet 80V 175mA
O20	SO2222AR	SGS	R		2N2222A
O27	SO1893R	SGS	R		2N1893
O54	SO2221AR	SGS	R		2N2221A
O79	SO5550R	SGS	R		2N5550
O80	SO5551R	SGS	R		2N5551
O91	SO642R	SGS	R		npn Vce 300V
OP	CMDZ6L2	CSC	I	SOD323	zener 250mW Iz 0.5mA 6.2V

Last Updated on 10/07/2006
By GM4PMK

GM4PMK's SMD Codebook

Codes beginning with 'P'

Code	Device	Manf	Base	Package	Leaded Equivalent/Data
P (white)	BAT15-03W	Sie	I	SOD323	RF Schottky 4V 100mA
P	KV1841E	Tok	I	URD	uhf varicap 7-15pF
P	RSX051VA-30	Roh	I	TUMD2	schottky diode 0.5A 30V
P	DAP202K	Roh	A		80V 100mA dual
P0	BFP90A	Phi	CX	SOT173	BFG90A
P0	TP0101T	Tem	M	SOT23	p-ch mosfet 0.5A 12V
P0	HSMS-285B	HP	C	SOT323	zero-bias schottky diode uW det
P0	HSMS-2850	HP	C	SOT23	zero-bias schottky diode uW det
P01	SO2906	SGS	N		2N2906
P01	SST201	Sil	F	SOT23	J201 n-ch fet
P01	DDTA113TE	Dio	N	SOT523	dtr pnp 50V 0.1A R1 1k0 0.15W
P01	DDTA113TUA	Dio	N	SOT323	dtr pnp 50V 0.1A R1 1k0 0.2W
P01	DDTA113TCA	Dio	N	SOT23	dtr pnp 50V 0.1A R11k0 0.2W
P01	DDTA113TKA	Dio	N	SC59	dtr pnp 50V 0.1A R1 1k0 0.2W
P02	SST202	Sil	F	SOT23	J202 n-ch fet
P02	DDTA113ZE	Dio	N	SOT523	dtr pnp 50V 0.1A res 1k0/10k 0.15W
P02	DDTA113ZUA	Dio	N	SOT323	dtr pnp 50V 0.1A res 1k0/10k 0.2W
P02	DDTA113ZCA	Dio	N	SOT23	dtr pnp 50V 0.1A res 1k0/10k 0.2W
P02	DDTA113ZKA	Dio	N	SC59	dtr pnp 50V 0.1A res 1k0/10k 0.2W
P03	SO2907A	SGS	N		2N2907A
P03	SST203	Sil	F	SOT23	J203 n-ch fet
P03	DDTA123TE	Dio	N	SOT523	dtr pnp 50V 0.1A R1 2k2 0.15W
P03	DDTA123TUA	Dio	N	SOT323	dtr pnp 50V 0.1A R1 2k2 0.2W
P03	DDTA123TCA	Dio	N	SOT23	dtr pnp 50V 0.1A R1 2k2 0.2W
P03	DDTA123TKA	Dio	N	SC59	dtr pnp 50V 0.1A R1 2k2 0.2W
P04	SST204	Sil	F	SOT23	J204 n-ch fet
P04	DDTA123EE	Dio	N	SOT523	dtr pnp 50V 0.1A res 2k2/2k2 0.15W

P04	DDTA123EUA	Dio	N	SOT323	dtr pnp 50V 0.1A res 2k2/2k2 0.2W
P04	DDTA123ECA	Dio	N	SOT23	dtr pnp 50V 0.1A res 2k2/2k2 0.2W
P04	DDTA123EKA	Dio	N	SC59	dtr pnp 50V 0.1A res 2k2/2k2 0.2W
P05	SO2907	SGS	N		2N2907
P05	DDTA123YE	Dio	N	SOT523	dtr pnp 50V 0.1A res 2k2/10k 0.15W
P05	DDTA123YUA	Dio	N	SOT323	dtr pnp 50V 0.1A res 2k2/10k 0.2W
P05	DDTA123YCA	Dio	N	SOT23	dtr pnp 50V 0.1A res 2k2/10k 0.2W
P05	DDTA123YKA	Dio	N	SC59	dtr pnp 50V 0.1A res 2k2/10k 0.2W
P06	SO2894	SGS	N		2N2894
P06	DDTA123JE	Dio	N	SOT523	dtr pnp50V 0.1A res 2k2/47k 0.15W
P06	DDTA123JUA	Dio	N	SOT323	dtr pnp 50V 0.1A res 2k2/47k 0.2W
P06	DDTA123JCA	Dio	N	SOT23	dtr pnp 50V 0.1A res 2k2/47k 0.2W
P06	DDTA123JKA	Dio	N	SC59	dtr pnp 50V 0.1A res 2k2/47k 0.2W
P06	DDA123JU	Dio	DO	SOT363	dual dtr pnp 50V 0.1A 2k2/47k
P06	DDA123JK	Dio	DO	SOT26	dual dtr pnp 50V 0.1A 2k2/47k
P07	DDTA143TE	Dio	N	SOT523	dtr pnp 50V 0.1A R1 4k7 0.15W
P07	DDTA143TUA	Dio	N	SOT323	dtr pnp 50V 0.1A R1 4k7 0.2W
P07	DDTA143TCA	Dio	N	SOT23	dtr pnp 50V 0.1A R1 4k7 0.2W
P07	DDTA143TKA	Dio	N	SC59	dtr pnp 50V 0.1A R1 4k7 0.2W
P07	DDA143TU	Dio	DO	SOT363	dual dtr pnp 50V 0.1A R1 4k7
P07	DDA143TK	Dio	DO	SOT26	dual dtr pnp 50V 0.1A R1 4k7
P08	DDTA143EE	Dio	N	SOT523	dtr pnp 50V 0.1A 4k7/4k7 0.15W
P08	DDTA143EUA	Dio	N	SOT323	dtr pnp 50V 0.1A 4k7/4k7 0.2W
P08	DDTA143ECA	Dio	N	SOT23	dtr pnp 50V 0.1A 4k7/4k7 0.2W
P08	DDTA143EKA	Dio	N	SC59	dtr pnp 50V 0.1A 4k7/4k7 0.2W
P09	DDTA123XE	Dio	N	SOT523	dtr pnp 50V 0.1A res 4k7/10k 0.15W
P09	DDTA123XUA	Dio	N	SOT323	dtr pnp 50V 0.1A res 4k7/10k 0.2W
P09	DDTA123XCA	Dio	N	SOT23	dtr pnp 50V 0.1A res 4k7/10k 0.2W
P09	DDTA123XKA	Dio	N	SC59	dtr pnp 50V 0.1A res 4k7/10k 0.2W
P1	BB131	Phi	I	SOD 323	VHF Varicap 1-15pF
P1	BFP91A	Phi	CX	SOT173	BFG91A
P1	SST201	Tem	F	SOT23	J201 n-ch jfet
P1	MMSZ5266	Vis	I	SOD123	zener 300mW 5% 68V
P1	BZX84C11T	Dio	C	SOT523	zener 150mW 11V

P1D	PZTA42	Mot	P		MPSA42 10mA 300V npn
P1F	PZT2222A	Mot	P		2N2222A sw npn
P1N	PZTA14	Mot	P		MPSA14 darlington
P1	BFR92	Phi	N	SOT23	BFR90
P1D	PZTA42	Mot	P		MPSA42 300V npn
P1N	PZTA14	Mot	P		nnp darlington MPSA14
P2	BB132	Phi	I	SOD 323	VHF Varicap 2,5-28,8pF
P2	BFR92A	Phi	N	SOT23	BFR90A
P2p	BFR92AW	Phi	N	SOT323	BFR90A
P2	HSMSM-285C	HP	D	SOT323	dual series HSMS-285B
P2	HSMSM-2852	HP	D	SOT23	dual series HSMS-285B
P2	MMSZ5267	Vis	I	SOD123	zener 300mW 5% 75V
P2	BZX84C12T	Dio	C	SOT523	zener 150mW 12V
P2D	PZTA92	Mot	P		MPSA92 300V pnp
P2F	PZT2907A	Mot	P		2N2907A sw pnp
P2V	PZTA64	Mot	P		MPSA64 darlington
P3	BB133	Phi	I	SOD 323	VHF Varicap 2,5-18,5pF
P3	MMBF2202P	Mot	M	SOT23	p-ch TMOSfet 0.3A 20V
P3	TP0202T	Tem	M		p-ch mosfet 0.3A 20V
P3	BZX84C13T	Dio	C	SOT523	zener 150mW 13V
P4	BFR92R	Phi	R	SOT23R	BFR90
P4	BB134	Phi	I	SOD 323	UHF Varicap 2-12pF
P4	BZX84C15T	Dio	C	SOT523	zener 150mW 15V
P5	BB135	Phi	I	SOD 323	UHF Varicap 2-12pF
P5	BFR92AR	Phi	R	SOT23R	BFR90A
P5	FMMT2369A	Zet	N		2N2369A
P5	HSMSM-2855	HP	S	SOT143	separate pair HSMS-2850
P5	BZX84C16T	Dio	C	SOT523	zener 150mW 16V
P6	BFP96	Phi	CX	SOT173	BFG96
P6	BZX84C18T	Dio	C	SOT523	zener 150mW 18V
P7	BB147	Phi	I	SOD 323	VHF Varicap 2,5-42pF
P7	BZX84C20T	Dio	C	SOT523	zener 150mW 20V
P8	BB148	Phi	I	SOD 323	VHF Varicap 2,5-17,5pF
P8	BZX84C22T	Dio	C	SOT523	zener 150mW 22V

P8A	FLLD258	Zet	B	SOT23	low leakage dual ca Si diode
P9	BB149	Phi	I	SOD 323	UHF Varicap 2-11pF
P9	BCX70KR	Phi	R	SOT23R	BCY59-x
P9	DAP222	Mot	A	SOT416	dual ca sw diode
P9	BZX84C24T	Dio	C	SOT523	zener 150mW 24V
P10	DDTA143FE	Dio	N	SOT523	dtr pnp 50V 0.1A 4k7/22k 0.15W
P10	DDTA143FUA	Dio	N	SOT323	dtr pnp50V 0.1A 4k7/22k 0.2W
P10	DDTA143FCA	Dio	N	SOT23	dtr pnp 50V 0.1A 4k7/22k 0.2W
P10	DDTA143FKA	Dio	N	SC59	dtr pnp 50V 0.1A 4k7/22k 0.2W
P11	DDTA143ZE	Dio	N	SOT523	dtr pnp 50V 0.1A 4k7/47k 0.15W
P11	DDTA143ZUA	Dio	N	SOT323	dtr pnp 50V 0.1A 4k7/47k 0.2W
P11	DDTA143ZCA	Dio	N	SOT23	dtr pnp 50V 0.1A 4k7/47k 0.2W
P11	DDTA143ZKA	Dio	N	SC59	dtr pnp 50V 0.1A 4k7/47k 0.2W
P12	SO2906A	SGS	N		2N2906A
P12	DDTA114TE	Dio	N	SOT523	dtr pnp 50V 0.1A R1 10k 0.15W
P12	DDTA114TUA	Dio	N	SOT323	dtr pnp 50V 0.1A R1 10k 0.2W
P12	DDTA114TCA	Dio	N	SOT23	dtr pnp 50V 0.1A R110k 0.2W
P12	DDTA114TKA	Dio	N	SC59	dtr pnp 50V 0.1A R1 10k 0.2W
P12	DDA114TU	Dio	DO	SOT363	dual dtr pnp 50V 0.1A R1 10k
P12	DDA114TK	Dio	DO	SOT26	dual dtr pnp 50V 0.1A R1 10k
P13	DDTA114EE	Dio	N	SOT523	dtr pnp 50V 0.1A 10k/10k 0.15W
P13	DDTA114EUA	Dio	N	SOT323	dtr pnp 50V 0.1A 10k/10k 0.2W
P13	DDTA114ECA	Dio	N	SOT23	dtr pnp 50V 0.1A 10k/10k 0.2W
P13	DDTA114EKA	Dio	N	SC59	dtr pnp 50V 0.1A 10k/10k 0.2W
P13	DDA114EU	Dio	DO	SOT363	dual dtr pnp 50V 0.1A 10k/10k
P13	DDA114EK	Dio	DO	SOT26	dual dtr pnp 50V 0.1A 10k/10k
P14	DDTA114YE	Dio	N	SOT523	dtr pnp 50V 0.1A 10k/47k 0.15W
P14	DDTA114YUA	Dio	N	SOT323	dtr pnp 50V 0.1A 10k/47k 0.2W
P14	DDTA114YCA	Dio	N	SOT23	dtr pnp 50V 0.1A 10k/47k 0.2W
P14	DDTA114YKA	Dio	N	SC59	dtr pnp 50V 0.1A 10k/47k 0.2W
P14	DDA114YU	Dio	DO	SOT363	dual dtr pnp 50V 0.1A 10k/47k
P14	DDA114YK	Dio	DO	SOT26	dual dtr pnp 50V 0.1A 10k/47k
P15	DDTA114WE	Dio	N	SOT523	dtr pnp 50V 0.1A 10k/47k 0.15W
P15	DDTA114WUA	Dio	N	SOT323	dtr pnp 50V 0.1A 10k/47k 0.2W

P15	DDTA114WCA	Dio	N	SOT23	dtr pnp 50V 0.1A 10k/47k 0.2W
P15	DDTA114WKA	Dio	N	SC59	dtr pnp 50V 0.1A 10k/47k 0.2W
P16	DDTA124TE	Dio	N	SOT523	dtr pnp 50V 0.1A R1 22k 0.15W
P16	DDTA124TUA	Dio	N	SOT323	dtr pnp 50V 0.1A R1 22k 0.2W
P16	DDTA124TCA	Dio	N	SOT23	dtr pnp 50V 0.1A R1 22k 0.2W
P16	DDTA124TKA	Dio	N	SC59	dtr pnp 50V 0.1A R1 22k 0.2W
P17	DDTA124EE	Dio	DO	SOT523	dtr pnp 50V 0.1A 22k/22k 0.15W
P17	DDTA124EUA	Dio	DO	SOT323	dtr pnp 50V 0.1A 22k/22k 0.2W
P17	DDTA124ECA	Dio	DO	SOT23	dtr pnp 50V 0.1A 22k/22k 0.2W
P17	DDTA124EKA	Dio	DO	SC59	dtr pnp 50V 0.1A 22k/22k 0.2w
P17	DDC124EU	Dio	DO	SOT363	dual dtr pnp 50V 0.1A 22k/22k
P17	DDC124EK	Dio	DO	SOT26	dual dtr pnp 50V 0.1A 22k/22k
P18	DDTA124XE	Dio	N	SOT523	dtr pnp 50V 0.1A 22k/47k 0.15W
P18	DDTA124XUA	Dio	N	SOT323	dtr pnp 50V 0.1A 22k/47k 0.2W
P18	DDTA124XCA	Dio	N	SOT23	dtr pnp 50V 0.1A 22k/47k 0.2W
P18	DDTA124XKA	Dio	N	SC59	dtr pnp 50V 0.1A 22k/47k 0.2W
P19	DDTA144TE	Dio	N	SOT523	dtr pnp50V 0.1A R1 47k 0.15W
P19	DDTA144TUA	Dio	N	SOT323	dtr pnp 50V 0.1A R1 47k 0.2W
P19	DDTA144TCA	Dio	N	SOT23	dtr pnp 50V 0.1A R1 47k 0.2W
P19	DDTA144TKA	Dio	N	SC59	dtr pnp 50V 0.1A R1 47k 0.2W
P20	DDTA124EE	Dio	N	SOT523	dtr pnp 50V 0.1A 22k/22k 0.15W
P20	DDTA124EUA	Dio	N	SOT323	dtr pnp 50V 0.1A 22k/22k 0.2W
P20	DDTA124ECA	Dio	N	SOT23	dtr pnp 50V 0.1A 22k/22k 0.2W
P20	DDTA124EKA	Dio	N	SC59	dtr pnp 50V 0.1A 22k/22k 0.2W
P20	DDA144EU	Dio	DO	SOT363	dual dtr pnp 50V 0.1A 47k/47k
P20	DDA144EK	Dio	DO	SOT26	dual dtr pnp 50V 0.1A 47k/47k
P21	DDTA144VE	Dio	N	SOT523	dtr pnp 50V 0.1A 47k/10k 0.15W
P21	DDTA144VUA	Dio	N	SOT323	dtr pnp 50V 0.1A 47k/10k 0.2W
P21	DDTA144VCA	Dio	N	SOT23	dtr pnp 50V 0.1A 47k/10k 0.2W
P21	DDTA144VKA	Dio	N	SC59	dtr pnp 50V 0.1A 47k/10k 0.2W
P22	DDTA144WE	Dio	N	SOT523	dtr pnp 50V 0.1A 47k/22k 0.15W
P22	DDTA144WUA	Dio	N	SOT323	dtr pnp 50V 0.1A 47k/22k 0.2W
P22	DDTA144WCA	Dio	N	SOT23	dtr pnp 50V 0.1A 47k/22k 0.2W
P22	DDTA144WKA	Dio	N	SC59	dtr pnp 50V 0.1A 47k/22k 0.2W

P23	DDTA115TE	Dio	N	SOT523	dtr pnp 50V 0.1A R1 100k 0.15W
P23	DDTA115TUA	Dio	N	SOT323	dtr pnp 50V 0.1A R1 100k 0.2W
P23	DDTA115TCA	Dio	N	SOT23	dtr pnp 50V 0.1A R1 100k 0.2W
P23	DDTA115TKA	Dio	N	SC59	dtr pnp 50V 0.1A R1 100k 0.2W
P24	DDTA115EE	Dio	N	SOT523	dtr pnp 50V 0.1A 100k/100k 0.15W
P24	DDTA115EUA	Dio	N	SOT323	dtr pnp 50V 0.1A 100k/100k 0.2W
P24	DDTA115ECA	Dio	N	SOT23	dtr pnp 50V 0.1A 100k/100k 0.2W
P24	DDTA115EKA	Dio	N	SC59	dtr pnp 50V 0.1A 100k/100k 0.2W
P25	DDTA125TE	Dio	N	SOT523	dtr pnp 50V 0.1A R1 200k 0.15W
P25	DDTA125TUA	Dio	N	SOT323	dtr pnp 50V 0.1A R1 200k 0.2W
P25	DDTA125TCA	Dio	N	SOT23	dtr pnp 50V 0.1A R1 200k 0.2W
P25	DDTA125TKA	Dio	N	SC59	dtr pnp 50V 0.1A R1 200k 0.2W
P25	SO3906	SGS	N		2N3906
P26	SO3905	SGS	N		2N3905
P26	DDTA114GE	Dio	N	SOT523	dtr pnp 50V 0.1A R2 10k 0.15W
P26	DDTA114GUA	Dio	N	SOT323	dtr pnp 50V 0.1A R2 10k 0.2W
P26	DDTA114GCA	Dio	N	SOT23	dtr pnp 50V 0.1A R2 10k 0.2W
P26	DDTA114GKA	Dio	N	SC59	dtr pnp 50V 0.1A R2 10k 0.2W
P27	DDTA124GE	Dio	N	SOT523	dtr pnp 50V 0.1A R2 22k 0.15W
P27	DDTA124GUA	Dio	N	SOT323	dtr pnp 50V 0.1A R2 22k 0.2W
P27	DDTA124GCA	Dio	N	SOT23	dtr pnp 50V 0.1A R2 22k 0.2W
P27	DDTA124GKA	Dio	N	SC59	dtr pnp 50V 0.1A R2 22k 0.2W
P28	DDTA144GE	Dio	N	SOT523	dtr pnp 50V 0.1A R2 47k 0.15W
P28	DDTA144GUA	Dio	N	SOT323	dtr pnp 50V 0.1A R2 47k 0.2W
P28	DDTA144GCA	Dio	N	SOT23	dtr pnp 50V 0.1A R2 47k 0.2W
P28	DDTA144GKA	Dio	N	SC59	dtr pnp 50V 0.1A R2 47k 0.2W
P29	DDTA115GE	Dio	N	SOT523	dtr pnp 50V 0.1A R2 100k 0.15W
P29	DDTA115GUA	Dio	N	SOT323	dtr pnp 50V 0.1A R2 100k 0.2W
P29	DDTA115GCA	Dio	N	SOT23	dtr pnp 50V 0.1A R2 100k 0.2W
P29	DDTA115GKA	Dio	N	SC59	dtr pnp 50V 0.1A R2 100k 0.2W
P32	SO5400	SGS	N		2N5400
P33	SO5401	SGS	N		2N5401
P38	SST4338	Sil	F	SOT23	2N4338
P39	SST4339	Sil	F		2N4339

P39	SO692	SGS			pnp Vce 300V
P40	SST4340	Sil	F	SOT23	2N4340
P41	SST4341	Sil	F	SOT23	2N4341
P57	SST5457	Sil	F	SOT23	2N5457
P58	SST5458	Sil	F	SOT23	2N5458
P59	SST5459	Sil	F	SOT23	2N5459
P60	SST5460	Sil	F	SOT23	2N5460
P61	SST5461	Sil	F	SOT23	2N5461
P62	SST5462	Sil	F	SOT23	2N5462
P63	SST5463	Sil	F	SOT23	2N5463
P64	SST5464	Sil	F	SOT23	2N5464
P65	SST5465	Sil	F	SOT23	2N5465
PA	BB151	Phi	I	SOD 323	Low Voltage Varicap
PB	BB152	Phi	I	SOD 323	VHF Varicap 2,5-23pF
PC	BB153	Phi	I	SOD 323	VHF Varicap 2,5-15pF
PC	MGSF1P02L	Mot	M	SOT23	p ch enh tmosfet
PD	BSS84L	Mot	M	SOT23	p-ch enh tmosfet
PE	BB155	Phi	I	SOD 323	Low Voltage Varicap
PF	BB156	Phi	I	SOD 323	Low Voltage Varicap
PG	BB157	Phi	I	SOD 323	VHF Varicap 2,7-13,7pF
PH	BB158	Phi	I	SOD 323	VHF Varicap 2,5-17,5pF
PH2	SST4302	Sil	F	SOT23	2N4302
PH3	SST4303	Sil	F	SOT23	2N4303
PH4	SST4304	Sil	F	SOT23	2N4304
PJ	BB159	Phi	I	SOD 323	UHF Varicap 2-11pF
PK	BB164	Phi	I	SOD 323	VHF Varicap 3-22,5pF
PL	BB149A	Phi	I	SOD323	2-12pF varicap
PN	BB190	Phi	I	SOD 323	Low Voltage Varicap
POs	BAR64	Sie	C	SOT23	single 200V RF pin
PP	CMDZ6L8	CSC	I	SOD323	zener 250mW Iz 0.5mA 6.8V
PPs	BAR64-04	Sie	D	SOT23	dual series 200V RF pin
PPs	BAR64-04W	Sie	D	SOT323	dual series 200V RF pin
PRs	BAR64-05	Sie	B	SOT23	dual cc 200V RF pin
PRs	BAR64-05W	Sie	B	SOT323	dual cc 200V RF pin

PSs	BAR64-06	Sie	A	SOT23	dual ca 200V RF pin
PSs	BAR64-06W	Sie	A	SOT323	dual ca 200V RF pin

Last Updated on 10/07/2005

By GM4PMK

GM4PMK's SMD Codebook

Codes beginning with 'Q'

Code	Device	Manf	Base	Package	Leaded Equivalent/Data
Q	RSX071VA-30	Roh	I	TUMD2	schottky diode 0.7A 30V
Q3	MMBC1321Q3	Mot	N		npn VHF amp fT 0.6GHz
Q4	MMBC1321Q4	Mot	N		npn VHF amp fT 0.6GHz
Q5	MMBC1321Q5	Mot	N		npn VHF amp fT 0.6GHz
QP	CMDZ7L5	CSC	I	SOD323	zener 250mW Iz 0.5mA 7.5V
QQ	2SC4536	Nec	P		npn RF fT 5.7GHz 2W hFE 40-80
QR	2SC4536	Nec	P		npn RF fT 5.7GHz 2W hFE 60-120
QS	2SC4536	Nec	P		npn RF fT 5.7GHz 2W hFE 100-200

Last Updated on 10/07/2006

By GM4PMK

GM4PMK's SMD Codebook

Codes beginning with 'R'

Code	Device	Manf	Base	Package	Leaded Equivalent/Data
R	BA895	Sie	I	SCD80	
R	BA585	Sie	I	SOD123	pin diode 50mA max
R	RSX101VA-30	Roh	I	TUMD2	schottky diode 1A 30V
R (yellow)	BA597	Sie	I	SOD323	UHF pin diode 100mA max
R (white)	BA595	Sie	I	SOD323	UHF pin diode 50mA max
R1	BFR93	SGS	N	SOT23	BFR91
R1	HSMS-8101	HP	K	SOT23	10-14GHz schottky mixer
R1	UMT4401	Rho	N	SC70	2N4401
R1	BZX84C4V7T	Dio	C	SOT523	zener 150mW 4.7V
R1A	SST3904	Rho	N	SOT23	2N3904
R1A	UMT3904	Rho	N	SC70	2N3904
R1A	MMST3904	Rho	N	SC59	2N3904
R1G	SSTA06	Rho	N	SOT23	MPSA06
R1G	MMSTA06	Rho	N	SC59	MPSA06
R1H	SSTA05	Rho	N	SOT23	MPSA05
R1J	SST6427	Rho	N	SOT23	
R1K	MMST6428	Rho	N	SC59	
R1M	SSTA13	Rho	N	SOT23	MPSA13
R1M	MMSTA13	Rho	N	SC59	MPSA13
R1N	SSTA14	Rho	N	SOT23	MPSA14
R1N	MMSTA14	Rho	N	SC59	MPSA14
R1O	MMST5088	Rho	N	SC59	2N5088
R1P	SST2222A	Rho	N	SOT23	2N2222A
R1P	UMT2222A	Rho	N	SC70	2N2222A
R1P	MMST2222A	Rho	N	SC59	2N2222A
R2	BFR93A	Phi	N	SOT23	BFR91A
R2	2SC2351P	Nec	N	SOT23	npn RF fT 4.5 GHz hfe 40-120
R2	2SC4225	Nec	N	SOT323	npn RF fT 4GHz hfe 40-120

R2	BZX84C5V1T	Dio	C	SOT523	zener 150mW 5V1V
R2A	SST3906	Rho	N	SOT23	2N3906
R2A	UMT3906	Rho	N	SC70	2N3906
R2A	MMST3906	Rho	N	SC59	2N3906
R2B	MMST2907	Rho	N	SC59	2N2907
R2F	SST2907A	Rho	N	SOT23	2N2907A
R2F	UMT2907A	Rho	N	SC70	2N2907A
R2F	MMST2907A	Rho	N	SC59	2N2907A
R2G	SSTA56	Rho	N	SOT23	MPSA56
R2G	MMSTA56	Rho	N	SC59	MPSA56
R2K	MMST8598	Rho	N	SC59	
R2O	MMST5087	Rho	N	SC59	
R2P	MMST5086	Rho	N	SC59	
R2T	SST4403	Rho	N	SOT23	2N4403
R2T	UMT4403	Rho	N	SC70	2N4403
R2T	MMST4403	Rho	N	SC59	2N4403
R2V	MMSTA64	Rho	N	SC59	MPSA64
R2X	SST4401	Rho	N	SOT23	2N4401
R2X	MMST4401	Rho	N	SC59	2N4401
R3	2SC2351Q	Nec	N	SOT23	npn RF fT 4.5 GHz hfe 100-200
R3	2SC4225	Nec	N	SOT323	npn RF fT 4GHz hfe 100-200
R3	BZX84C5V6T	Dio	C	SOT523	zener 150mW 5.6V
R3B	SST918	Rho	N	SOT23	2N918
R3B	MMST918	Rho	N	SC59	2N918
R4	BFR93R	Tfk	R		BFR91
R4	2SC4092	Nec	WQ	SOT143	npn RF fT 6GHz hfe 40-120
R4	BZX84C6V2T	Dio	C	SOT523	zener 150mW 6.2V
R5	HSMS-8205	HP	S	SOT143	separate pair HSMS-8101
R5	BFR93AR	SGS	R	SOT23R	BFR91A
R5	2SC4092	Nec	WQ	SOT143	npn RF fT 6GHz hfe 100-200
R5	BZX84C6V8T	Dio	C	SOT523	zener 150mW 6.8V
R6	BZX84C7V5T	Dio	C	SOT523	zener 150mW 7.5V
R6A	2SC4187	Nec	N	SOT323	npn RF fT 4GHz hfe 50-100
R6B	2SC4187	Nec	N	SOT323	npn RF fT 4GHz hfe 80-160
R6C	2SC4187	Nec	N	SOT323	npn RF fT 4GHz hfe 125-250

R7	HSMS-8207	HP	RQ	SOT145	HSMS-8101 ring quad mixer
R7	BFR106	Phi	N	SOT23	BFR96S
R7	BZX84C8V2T	Dio	C	SOT523	zener 150mW 8.2V
R8	BFG93A	Sie	TQ	SOT143	BFG90
R8	BZX84C9V1T	Dio	C	SOT523	zener 150mW 9.1V
R9	BZX84C10T	Dio	C	SOT523	zener 150mW 10V
R9	1SS393	Tosh	B	SC70	dual cc schottky 40V 0.1A
R9	1SS392	Tosh	B	SC59	dual cc schottky 40V 0.1A
R10	MMST5088	Roh	N	SMT3	2N5088
R13	2SC4885	Nec	WQ	SOT143	npn RF fT 3.5GHz
R22	2SC3356	Nec	N	SOT23	npn RF fT 7GHz 20V 0.2W
R23	2SC3356Q	Nec	N	SOT23	npn RF fT 7GHz hfe 50-100
R23	2SC4226	Nec	N	SOT323	npn RF fT 4.5 GHz hfe 40-80
R24	2SC3356R	Nec	N	SOT23	npn RF fT 7GHz hfe 80-160
R24	2SC4226	Nec	N	SOT323	npn RF fT 4.5 GHz hfe 70-140
R25	2SC3356S	Nec	N	SOT23	npn RF fT 7GHz hfe 125-250
R25	2SC4226	Nec	N	SOT323	npn RF fT 4.5 GHz hfe 125-250
R26	2SC4093Q	Nec	WQ	SOT143	npn RF fT 6.5 GHz hfe 50-100
R26	2SC5011Q	Nec	WQ	SOT343	npn RF fT 6.5 GHz hfe 50-100
R27	2SC4093R	Nec	WQ	SOT143	npn RF fT 6.5 GHz hfe 80-160
R27	2SC5011R	Nec	WQ	SOT343	npn RF fT 6.5 GHz hfe 80-160
R28	2SC4093S	Nec	WQ	SOT143	npn RF fT 6.5 GHz hfe 125-250
R28	2SC5011S	Nec	WQ	SOT343	npn RF fT 6.5 GHz hfe 125-250
R32	2SC3583	Nec	N	SOT23	npn RF fT 9GHz @ 20mA
R33	2SC3583Q	Nec	N	SOT23	npn RF fT 9GHz hfe 50-100
R33	2SC4227	Nec	N	SOT323	npn RF fT 7 GHz hfe 40-90
R34	2SC3583R	Nec	N	SOT23	npn RF fT 9GHz hfe 80-160
R34	2SC4227	Nec	N	SOT323	npn RF fT 7 GHz hfe 70-150
R35	2SC3583S	Nec	N	SOT23	npn RF fT 9GHz hfe 125-250
R35	2SC4227	Nec	N	SOT323	npn RF fT 7 GHz hfe 110-240
R36	2SC4094Q	Nec	WQ	SOT143	npn RF fT 9GHz hfe 50-100
R36	2SC5012	Nec	WQ	SOT343	npn RF fT 9GHz hfe 50-100
R37	2SC4094R	Nec	WQ	SOT143	npn RF fT 9GHz hfe 80-160
R37	2SC5012	Nec	WQ	SOT343	2SC4094 but min-mold pkg
R38	2SC4094S	Nec	WQ	SOT143	npn RF fT 9GHz hfe 125-250

R38	2SC5012	Nec	WQ	SOT343	npn RF fT 9GHz hfe 125-250
R42	2SC3585	Nec	N	SOT23	npn RF fT 10GHz @ 10mA
R43	2SC3585Q	Nec	N	SOT23	npn RF fT 10GHz hfe 50-100
R43	2SC4228	Nec	N	SOT323	npn RF fT 8.5GHz hfe 50-100
R44	2SC3585R	Nec	N	SOT23	npn RFfT 10GHz hfe 80-160
R44	2SC4228	Nec	N	SOT323	npn RF fT 8.5GHz hfe 80-160
R45	2SC3585S	Nec	N	SOT23	npn RF fT 10GHz hfe 125-250
R45	2SC4228	Nec	N	SOT323	npn RF fT 8.5GHz hfe 125-250
R46	2SC4095Q	Nec	WQ	SOT143	npn fT10GHz
R46	2SC5013Q	Nec	WQ	SOT343	npn fT10GHz
R47	2SC4095R	Nec	WQ	SOT143	npn fT10GHz
R47	2SC5013R	Nec	WQ	SOT343	npn fT10GHz
R48	2SC4095S	Nec	WQ	SOT143	npn fT10GHz
R48	2SC5013S	Nec	WQ	SOT343	npn fT10GHz
R62	2SC3663	Nec	N	SOT23	npn RF fT 4GHz @1mA
R64	2SC4091	Nec	WQ		npn RF fT 4GHz @1mA
R66	2SC4091Q	Nec	WQ	SOT143	npn RF fT 4GHz hfe 50-100
R67	2SC4091R	Nec	WQ	SOT143	npn RF fT 4GHz hfe 80-160
R68	2SC4091S	Nec	WQ	SOT143	npn RF fT 4GHz hfe 125-250
R97	SSTIS97	Rho	N	SOT23	TIS97
RA	BFQ81	Sie	N	SOT23	BFQ69 npn fT 5.8GHz
RAxx	RGF1A	Vis	I	DO214	fast rectifier 50V 1A xx date code
RA _s	BF772	Sie	X	SOT143	npn RF TV tuners
RAT	SSTA28	Rho	N	SOT23	MPSA28
RAT	MMSTA28	Rho	N	SC59	MPSA28
RAV	MMST8908	Rho	N	SC59	
RBR	SST6838	Rho	N	SOT23	
RB	MSC1621	Mot	H		npn sw 20V 200MHz
RB	BZX84C2V4T	Dio	C	SOT523	zener 150mW 2.4V
RBxx	RGF1B	Vis	I	DO214	fast rectifier 100V 1A xx date code
RB _s	BF771	Sie	N	SOT23	npn RF fT 8GHz
RB _s	BF771W	Sie	N	SOT323	npn RF fT 8GHz
RC	BZX84C2V7T	Dio	C	SOT523	zener 150mW 2.7V
RC _s	BFP193	Sie	X	SOT143	BFQ82 npn fT 8GHz
RC _s	BFP193W	Sie	WQ	SOT343	BFQ82 npn fT 8GHz

RCs	BFR193	Sie	N	SOT23	BFQ82 npn fT 8GHz
RCs	BFR193T	Sie	N	SC75	BFQ82 npn fT 8GHz
RD	BZX84C3V0T	Dio	C	SOT523	zener 150mW 3.0V
RDxx	RGF1D	Vis	I	DO214	fast rectifier 200V 1A xx date code
RDs	BFP180	Sie	X	SOT143	npn RF 8V 4mA fT 7GHz
RDs	BFP180W	Sie	WQ	SOT343	npn RF 8V 4mA fT 7GHz
RDs	BFR180	Sie	N	SOT23	npn RF 8V 4mA fT 7GHz
RDs	BFR180W	Sie	N	SOT323	npn RF 8V 4mA fT 7GHz
RE	BZX84C2V4T	Dio	C	SOT523	zener 150mW 3.3V
REs	BFS480	Sie	DJ	SOT363	dual RF npn fT 7GHz
REs	BFR280	Sie	N	SOT23	npn RF 8V 8mA fT 7.5GHz
REs	BFR280W	Sie	N	SOT323	npn RF 8V 8mA fT 7.5GHz
REs	BFP280	Sie	X	SOT143	npn RF 8V 8mA fT 7.5GHz
REs	BFP280W	Sie	WQ	SOT343	npn RF 8V 8mA fT 7.5GHz
RE	2SC3357	Nec	P	SOT89	npn RF 1.2W fT 6.5GHz
RF	BZX84C3V6T	Dio	C	SOT523	zener 150mW 3.6V
RFs	BFR181	Sie	N	SOT23	npn RF 12V 20mA fT 8GHz
RFs	BFP181	Sie	X	SOT143	npn RF 12V 20mA fT 8GHz
RFs	BFP181W	Sie	WQ	SOT343	npn RF 12V 20mA fT 8GHz
RFs	BFS481	Sie	DJ	SOT363	Dual BFR181
RF	2SC3357	Nec	P	SOT89	npn RF 1.2W fT 6.5GHz
RFQ	SST6839	Rho	N	SOT23	
RG	BZX84C3V9T	Dio	C	SOT523	zener 150mW 3.9V
RGxx	RGF1G	Vis	I	DO214	fast rectifier 400V 1A xx date code
RGs	BFR182	Sie	N	SOT23	npn RF12V 35mA fT 8GHz
RGs	BFR182W	Sie	N	SOT323	npn RF12V 35mA fT 8GHz
RGs	BFP182	Sie	X	SOT143	npn RF12V 35mA fT 8GHz
RGs	BFP182W	Sie	WQ	SOT343	npn RF12V 35mA fT 8GHz
RGs	BFR182T	Sie	N	SC75	npn RF12V 35mA fT 8GHz
RGs	BFS482	Sie	DJ	SOT363	Dual BFR182
RH	BZX84C4V3T	Dio	C	SOT523	zener 150mW 4.3V
RHs	BFR183	Sie	N	SOT23	npn RF 12V 65mA fT 8GHz
RHs	BFR183W	Sie	N	SOT323	npn RF 12V 65mA fT 8GHz
RHs	BFR183T	Sie	N	SC75	npn RF 12V 65mA fT 8GHz
RHs	BFP183	Sie	X	SOT143	npn RF 12V 65mA fT 8GHz

RHs	BFP183W	Sie	WQ	SOT343	nnp RF 12V 65mA fT 8GHz
RH	2SC3357	Nec	P	SOT89	nnp RF 1.2W fT 6.5GHz
RHs	BFS483	Sie	DJ	SOT363	Dual BFR183 npn RF
RI	BFP196	Sie	X	SOT143	pnp RF 12V 100mA Ft 7.5GHz
RJxx	RGF1J	Vis	I	DO214	fast rectifier 600V 1A xx date code
RKs	BFP194	Sie	X	SOT143	pnp RF 15V 100mA Ft 5GHz
RKs	BFR194	Sie	N	SOT233	pnp RF 15V 100mA Ft 5GHz
RKM	RK7002	Rho		SOT23	
RK	2SC3357	Nec	P	SOT89	nnp RF 1.2W fT 6.5GHz
RKxx	RGF1K	Vis	I	DO214	fast rectifier 800V 1A xx date code
RMxx	RGF1M	Vis	I	DO214	fast rectifier 1000V 1A xx date code
RP	CMDZ8L2	CSC	I	SOD323	zener 250mW Iz 0.5mA 8.2V
RR	BBY59-02V	Inf	I	SC79	hyperabrupt varicap 7-28pF
RR	BFR93P	Sie	N	SOT23	BFR91
RVX	MMST918	Roh	N	SC59	2N918
RVZ	MMST4126	Rho	N	SC59	2N4126
RW	BFR194	Sie	N		pnp RF amp 1.5GHz
RZC	SST4124	Rho	N	SOT23	2N4124
RZC	MMST4124	Rho	N	SC59	2N4124

Last Updated on 102/07/2006

By GM4PMK

GM4PMK's SMD Codebook

Codes beginning with 'S'

Code	Device	Manf	Base	Package	Leaded Equivalent/Data
S (blue)	BA592	Sie	I	SOD323	BA282
S (red)	BB640	Sie	I	SOD323	70-3pF varicap
S (white)	BB535	Sie	I	SOD323	18-2pF varicap
S (yellow)	BB639	Sie	I	SOD323	39-2.7pF varicap
S	BAP64-02	Phi	I	SOD523	3GHz pin diode
S	BB515	Sie	I	SOD123	varicap 17.7pf @ 1V 30V max
S0	HSMP-3880	HP	C	SOT23	pin sw diode
S1	HSMP-3881	HP	K	SOT23	pin sw diode
S1	BBY31	Phi	C	SOT23	BB405
S1A	S1A	Fch	I	DO214	1N4001
S1B	S1B	Fch	I	DO214	1N4002
S1D	S1D	Fch	I	DO214	1N4003
S1G	S1G	Fch	I	DO214	1N4004
S1J	S1J	Fch	I	DO214	1N4005
S2	BBY40	Phi	C	SOT23	BB809
S2	BFQ31	Zet	N		npn vhf 15V 0.1A
S3	BFQ31R	Zet	R		npn vhf 15V 0.1A
S3	BBY51	Sie	B	SOT23	dual cc varicap
S3	1SS388	Tosh	I	ESC	low fwd V schottky 10V 0.1A
S3	1SS357	Tosh	I	USC	low fwd V schottky 10V 0.1A
S4	BFQ31A	Zet	N		npn vhf 15V 0.1A
S4	1SS389	Tosh	I	ESC	low fwd V schottky 40V 0.1A
S4	1SS367	Tosh	I	USC	low fwd V schottky 40V 0.1A
S5	BFQ31AR	Zet	R		npn vhf 15V 0.1A
S5	BBY52	Sie	B	SOT23	dual cc varicap
S5	BAT15-099	Sie	NQ	SOT143	Dual BAT15 schottky
S6	BAT15-099R	Sie	DQ		Ring quad BAT15 schottky

S6	BF510	Phi	G		BF410A
S6	SD103AW	Vis	I	SOD123	schottky diode
S6	1PS76SB62	Phi	I	SOD323	40V 20mA low C schottky diode
S7	BF511	Phi	G		BF410B
S7	SD103BW	Vis	I	SOD123	schottky diode
S7	SST177	Tem	F	SOT23	J177 p-ch analog sw jfet
S7s	BBY53-05	Sie	B	SOT23	dual cc varicap
S7s	BBY53-05W	Sie	B	SOT323	dual cc varicap
S7	BAT114-099	Sie	NQ	SOT143	Dual schottky
S8	BF512	Phi	G		BF410C
S8	SD103CW	Vis	I	SOD123	schottky diode
S8	BAT14-099	Sie	NQ	SOT143	Dual schottky
S9	BAT14-099R	Sie	DQ		Quad crossover ring schottky
S9	1SS395	Tosh	C	SC70	low fwd V schottky 10V 0.1A
S9	1SS394	Tosh	C	SC59	low fwd V schottky 10V 0.1A
S9	BF513	Phi	G		BF410D
S12	BBY39	Phi	B	SOT23	2x BBY31
S14	SST5114	Sil	F	SOT23	2N5114
S15	SST5115	Sil	F	SOT23	2N5115
S16	SST5116	Sil	F	SOT23	2N5116
S16	ZHCS1006	Zet	C	SOT23	60V 1A schottky diode
S56	ZHCS506	Zet	C	SOT23	60V 0.5A schottky diode
S70	SST270	Sil	F	SOT23	J270 p-ch jfet
S71	SST271	Sil	F	SOT23	J271 p-ch jfet
S74	SST174	Sil	F	SOT23	J174 p-ch fet
S75	SST175	Sil	F	SOT23	J175 p-ch fet
S76	SST176	Sil	F	SOT23	J176 p-ch fet
S76	ZHCS756	Zet	C	SOT23	60V 0.75A schottky diode
S77	SST177	Sil	F	SOT23	J177 p-ch fet
SA	BSS123	Sie	M	SOT23	n-ch mosfet 100V 0.17A
SA	SD101AW	Vis	I	SOD123	schottky diode
SBp	BB200	Phi	B	SOT 23	Low Voltage Varicap dual
SB	SD101BW	Vis	I	SOD123	schottky diode
SC	SD101CW	Vis	I	SOD123	schottky diode
SCp	BB201	Phi	b	SOT 223	Low Voltage Varicap dual

SD	BSS284	Sie	M	SOT23	p-ch mosfet 50V 0.13A
SE	2SC4703	Nec	P		npn RF 1.8W fT 6GHz
SF	2SC4703	Nec	P		npn RF 1.8W fT 6GHz
SFs	BB804	Sie	A	SOT23	dual 45-26pF cc VHF varicap
SF2	BB804W	Phi	B	SOT 23	VHF Varicap dual
SF5	BB804	Phi	B	SOT 23	VHF Varicap dual
sSG	SN7002	Sie	M	SOT23	n-ch mosfet 60V 0.19A
SH	2SC4703	Nec	P		npn RF 1.8W fT 6GHz
SH2	BB814	Sie	A	SOT23	dual 45-20pF cc varicap
SM	BB914	Sie	B	SOT23	dual varicap for FM radio
SR	BSS131	Sie	M	SOT23	n-ch mosfet 240V 0.1A
SP	BSS84	Sie	M	SOT23	p-ch mosfet 50V 0.13A
SP	CMDZ9L1	CSC	I	SOD323	zener 250mW Iz 0.5mA 9.1V
SS	BSS138	Sie	M	SOT23	n-ch mosfet 50V 0.22A
ST	BSS139	Sie	M	SOT23	n-ch dep mosfet 250V 0.04A

Last Updated on 10/07/2006

By GM4PMK

GM4PMK's SMD Codebook

Codes beginning with 'T'

Code	Device	Manf	Base	Package	Leaded Equivalent/Data
T	BAR67-02W	Sie	I	SOD80	
T	RN15G	Roh	I	VMD2	HF pin diode
T	BB811	Sie	I	SOD123	9.8pF @ 1V 30V max
T0	TP0601T	Tem	M		p-ch mosfet 60V 0.12A
T0	HSMS-2860	HP	C	SOT23	zero bias schottky diode
T0	HSMS-286B	HP	C	SOT323	zero bias schottky diode
T1	BCX17	Phi	N	SOT23	BC327
T1p	BCX17	Phi	N	SOT23	BC327
T1t	BCX17	Phi	N	SOT23	BC327
T1	IMT1A	Roh	DA		2 x 2SA1037AK pnp
T1	BSS63	Mot	N	SOT23	pnp 100V 0.1A
T1	GDZ5.1B	Vis	I	SOD323	zener 200mW 5.1V
T2	BCX18	Phi	N	SOT23	BC328
T2p	BCX18	Phi	N	SOT23	BC328
T2t	BCX18	Phi	N	SOT23	BC328
T2	IMT2A	Roh	DB		2 x 2SA1037AK pnp
T2	HSMS-286C	HP	D	SOT323	dual series HSMS-286B
T2	HSMS-2862	HP	D	SOT23	dual series HSMS-286B
T2	GDZ5.6B	Vis	I	SOD323	zener 200mW 5.6V
T2L	2SC5661	Roh	N	VMT3	RF 18V 50mA ft 1.5GHz
T3	BSS63	Phi	N	SOT23	BSS68
T3	HSMS-286E	HP	A	SOT323	ca dual HSMS-286B
T3	HSMS-2863	HP	A	SOT23	ca dual HSMS-286B
T3	GDZ6.2B	Vis	I	SOD323	zener 200mW 6.2V
T4	BCX17R	Phi	R	SOT23R	BC327
T4	HSMS-286F	HP	B	SOT323	cc dual HSMS-286B
T4	HSMS-2864	HP	B	SOT23	cc dual HSMS-286B
T4	MBD330DW	Mot	DL	SOT363	dual UHF schottky diode
T4	GDZ6.8B	Vis	I	SOD323	zener 200mW 6.8V

T4	ZUMTS17	Zet	N	SOT323	npn RF ft 1.3 GHz 15V 25mA hfe 25-150
T4H	ZUMTS17H	Zet	N	SOT323	npn RF ft 1.3 GHz 15V 25mA hfe 70-200
T5	HSMS-2865	HP	S	SOT143	separate dual HSMS-286B
T5	BCX18R	Phi	R	SOT23R	BC328
T5	GDZ7.5B	Vis	I	SOD323	zener 200mW 7.51V
T6	BSS63R	Phi	R	SOT23R	BSS68
T6	GDZ8.2B	Vis	I	SOD323	zener 200mW 8.2V
T7	BSR15	SGS	N	SOT23	2N2907
T7	GDZ9.1B	Vis	I	SOD323	zener 200mW 9.1V
T7p	BSR15	Phi	N	SOT23	2N2907
T7t	BSR15	Phi	N	SOT23	2N2907
T8	BSR16	SGS	N	SOT23	2N2907A
T8	GDZ10B	Vis	I	SOD323	zener 200mW 10V
T8p	BSR16	Phi	N	SOT23	2N2907A
T8t	BSR16	Phi	N	SOT23	2N2907A
T9	GDZ11B	Vis	I	SOD323	zener 200mW 11V
T9	1SS396	Tosh	B	SC59	dual series schottky 40V 0.1A
T32	2SC4182	Nec	N	SOT23	npn RF fT 1.1GHz @3V hfe 60-105
T33	2SC4182	Nec	N	SOT23	npn RF fT 1.1GHz @3V hfe 85-150
T34	2SC4182	Nec	N	SOT23	npn RF fT 1.1GHz @3V hfe 120-220
T42	2SC3545P	Nec	N		npn RF fT 2GHz hfe 50-100
T42	2SC4184	Nec	N	SOT323	npn RF fT1.8GHz hfe 40-80
T43	2SC3545Q	Nec	N		UHF osc/mix fT 2GHz hfe 70-140
T43	2SC4184	Nec	N	SOT323	npn fT1.8GHz hfe 60-120
T44	2SC3545R	Nec	N		npn RF fT 2GHz hfe 120-250
T44	2SC4184	Nec	N	SOT323	npn RF fT1.8GHz hfe 100-200
T61	ZUMT617	Zet	N	SOT323	npn 15V 1.5A sw
T62	ZUMT618	Zet	N	SOT323	npn 20V 1.25A sw
T62	2SC3841P	Nec	N	SOT23	npn RF fT 4GHz hfe 40-80
T62	2SC4186	Nec	N	SOT323	npn RF fT 4GHz hfe 40-80
T63	2SC3841Q	Nec	N	SOT23	npn RF fT 4GHz hfe 60-120
T63	2SC4186	Nec	N	SOT323	npn RF fT 4GHz hfe 60-120
T63	ZUMT619	Zet	N	SOT323	npn 50V 1.0A sw
T64	2SC3841R	Nec	N	SOT23	npn RF fT 4GHz hfe 100-200

T64	2SC4186	Nec	N	SOT323	nnp RF fT 4GHz hfe 100-200
T71	BSR15R	SGS	R	SOT23R	2N2907
T71	ZUMT717	Zet	N	SOT323	pnp 12V 1.5A sw
T72	2SC4568	Nec	N	SOT23	nnp RF ft 5.5GHz hfe 40-80
T72	2SC4570	Nec	N	SOT323	nnp RF ft 5.5GHz hfe 40-80
T72	ZUMT718	Zet	N	SOT323	pnp 20V 1.0A sw
T73	2SC4568	Nec	N	SOT23	nnp RF ft 5.5GHz hfe 60-120
T73	2SC4570	Nec	N	SOT323	nnp RF ft 5.5GHz hfe 60-120
T73	ZUMT719	Zet	N	SOT323	pnp 40V 1.0A sw
T74	2SC4568	Nec	N	SOT23	nnp RF ft 5.5GHz hfe 100-200
T74	2SC4570	Nec	N	SOT323	nnp RF ft 5.5GHz hfe 100-200
T75	2SC4569	Nec	N	SOT23	nnp RF fT 5GHz hfe 40-80
T75	2SC4571	Nec	N	SOT323	nnp RF fT 5GHz hfe 40-80
T76	2SC4569	Nec	N	SOT23	nnp RF fT 5GHz hfe 60-120
T76	2SC4571	Nec	N	SOT323	nnp RF fT 5GHz hfe 60-120
T77	2SC4569	Nec	N	SOT23	nnp RF fT 5GHz hfe 100-200
T76	2SC4571	Nec	N	SOT323	nnp RF fT 5GHz hfe 100-200
T78	2SC5507	Nec	WQ	SOT343	nnp RF fT 25GHz 3V 10mA
T79	2SC5508	Nec	WQ	SOT343	nnp RF fT 25GHz 3V 30mA
T80	2SC5507	Nec	WQ	SOT343	nnp RF fT 17GHz 3V 90mA
T81	BSR16R	SGS	R	SOT23R	2N2907A
T82	2SC4954	Nec	N	SOT23	nnp RF fT12GHz @3V 5mA
T82	2SC4956	Nec	WQ	SOT143	nnp RF fT 12GHz @3V 5mA
T82	2SC4958	Nec	N	SOT323	nnp RF fT 12GHz @3V 5mA
T82	2SC5014	Nec	WQ	SOT343	nnp RF fT 12GHz @3V 5mA
T83	2SC4955	Nec	N	SOT23	nnp RF fT 12GHz @3V 10mA
T83	2SC4957	Nec	WQ	SOT143	nnp RF fT 12GHz @3V 10mA
T83	2SC4959	Nec	N	SOT323	nnp RF fT 12GHz @3V 10mA
T83	2SC5015	Nec	WQ	SOT343	nnp RF fT 12GHz @3V 10mA
T84	2SC5177	Nec	N	SOT23	nnp RF fT 13GHz @2V 7mA
T84	2SC5179	Nec	N	SOT323	nnp RF fT 13GHz @2V 7mA
T84	2SC5178	Nec	WQ	SOT143	nnp RF fT 13GHz @2V 7mA
T84	2SC5180	Nec	WQ	SOT343	nnp RF fT 13GHz @2V 7mA
T86	2SC5182	Nec	N	SOT23	nnp RF fT 12GHz @2V 20mA
T86	2SC5183	Nec	WQ	SOT143	nnp RF fT 12GHz @2V 20mA

T86	2SC5184	Nec	N	SOT323	npn RF fT 12GHz @2V 20mA
T86	2SC5183	Nec	WQ	SOT343	npn RF fT 12GHz @2V 20mA
T88	2SC5191	Nec	N	SOT23	npn RF fT 8.5GHz @3V 20mA
T88	2SC5192	Nec	WQ	SOT143	npn RF fT 8.5GHz @3V 20mA
T88	2SC5193	Nec	N	SOT323	npn RF fT 8.5GHz @3V 20mA
T88	2SC5193	Nec	WQ	SOT343	npn RF fT 8.5GHz @3V 20mA
T89	2SC5288	Nec	WQ	SOT143	npn RF
T90	2SC5289	Nec	WQ	SOT143	npn RF
T92	BSR18A	Fch	N	SOT23	2N3904
T92P	BSR18A	Phi	N	SOT23	2N3904
T92	2SA1977	Nec	N	SOT23	pnnp RF fT 8.5GHz
T93	2SA1978	Nec	N	SOT23	pnnp RF fT 8.5GHz
TA	2SC5431EB	Nec	N	SC59	npn RF fT 4.3GHz 12V 60mA
TA	GDZ12B	Vis	I	SOD323	zener 200mW 12V
TB	2SC5431FB	Nec	N	SC59	npn RF fT 4.3GHz 12V 60mA
TB	GDZ13B	Vis	I	SOD323	zener 200mW 13V
TC	2SC5432EB	Nec	N	SC59	npn RF fT 4.5GHz 12V 100mA
TC	GDZ15B	Vis	I	SOD323	zener 200mW 15V
TD	2SC5432FB	Nec	N	SC59	npn RF fT 4.5GHz 12V 100mA
TD	GDZ16B	Vis	I	SOD323	zener 200mW 16V
TE	2SC5433EB	Nec	N	SC59	npn RF fT 7GHz 10V 65mA
TE	GDZ18B	Vis	I	SOD323	zener 200mW 18V
TF	2SC5433FB	Nec	N	SC59	npn RF fT 7GHz 10V 65mA
TFX	BAL99	Mot	V	SOT23	switching diode
TH	2SC5434EB	Nec	N	SC59	npn RF fT 8GHz 10V 35mA
TH	GDZ20B	Vis	I	SOD323	zener 200mW 20V
TJ	2SC5434FB	Nec	N	SC59	npn RF fT 8GHz 10V 35mA
TK	2SC5435EB	Nec	N	SC59	npn RF fT 12GHz 9V 30mA
TK	GDZ22B	Vis	I	SOD323	zener 200mW 22V
TL	2SC5435FB	Nec	N	SC59	npn RF fT 12GHz 9V 30mA
TL	GDZ24B	Vis	I	SOD323	zener 200mW 24V
TM	GDZ27B	Vis	I	SOD323	zener 200mW 27V
TN	GDZ30B	Vis	I	SOD323	zener 200mW 30V
TN	2SC5436EB	Nec	N	SC59	npn RF fT 14GHz 5V 30mA
TP	2SC5436FB	Nec	N	SC59	npn RF fT 14GHz 5V 30mA

TP	GDZ33B	Vis	I	SOD323	zener 200mW 33V
TP	CMDZ10L	CSC	I	SOD323	zener 250mW Iz 0.5mA 10V
TS	2SC5437EB	Nec	N	SC59	npn RF fT 9.5GHz 9V 50mA
TT	2SC5437FB	Nec	N	SC59	npn RF fT 9.5GHz 9V 50mA
TT	GDZ36B	Vis	I	SOD323	zener 200mW 36V
TV	2SC5599	Nec	N	SC-70	npn RF fT 5GHz 5.5V 5mA
TV	2SC5600	Nec	N	SC-59	npn RF fT 5GHz 5.5V 15mA
TV	MMBF112L	Mot	F	SOT23	RF jfet
TW	2SC5602	Nec	N	SC-70	npn RF fT 13.5GHz 6V 5mA
TW	2SC5603	Nec	N	SC-59	npn RF fT 13.5GHz 6V 15mA

Last Updated on 10/07/2006

By GM4PMK

GM4PMK's SMD Codebook

Codes beginning with 'U'

Code	Device	Manf	Base	Package	Leaded Equivalent/Data
U	BB545	Sie	I	SOD323	20-2pF varicap
U	BB145	Phi	I	SOD 523	Low Voltage Varicap
U1	BCX19	Mot	N	SOT23	BC337
U1p	BCX19	Phi	N	SOT23	BC337
U1t	BCX19	Phi	N	SOT23	BC337
U1	BGX50A	Sie	BQ	SOT143	quad ring Si sw diodes
U1A	3SK230A	Nec	UQ	SOT143	dg RF mosfet
U1B	3SK230B	Nec	UQ	SOT143	dg RF mosfet
U1C	3SK231C	Nec	UQ	SOT143	dg RF mosfet
U1D	3SK231D	Nec	UQ	SOT143	dg RF mosfet
U1E	3SK252E	Nec	UQ	SOT143	dg RF mosfet
U1E	3SK254E	Nec	UQ	SOT343	dg RF mosfet
U1G	3SK253G	Nec	UQ	SOT143	dg RF mosfet
U1G	3SK255G	Nec	UQ	SOT343	dg RF mosfet
U2	BCX20	Phi	N	SOT23	BC338
U2t	BCX20	Phi	N	SOT23	BC338
U3	BSS64	Phi	N	SOT23	120V 0.25A 0.2W
U4	BCX19R	Phi	R	SOT23R	BC337
U5	BCX20R	Phi	R	SOT23R	BC338
U6	BSS64R	Phi	R	SOT23R	120V 0.25A 0.2W
U7	BSR13	SGS	N	SOT23	2N2222
U7	3SK320	Tosh	DW	SC61	dg GaAsfet
U7p	BSR13	Phi	N	SOT23	2N2222
U7t	BSR13	Phi	N	SOT23	2N2222
U8	BSR14	SGS	N	SOT23	2N2222A
U8p	BSR14	Phi	N	SOT23	2N2222A
U8t	BSR14	Phi	N	SOT23	2N2222A
U16	2SC4183	Nec	N		npn RF 5V fT1GHz hFE 60-120

U17	2SC4183	Nec	N		npn RF 5V fT1GHz hFE 90-180
U18	2SC4183	Nec	N		npn RF 5V fT1GHz hFE 120-240
U21	2SC4185	Nec	N		npn RF 10V fT2.4GHz hFE 40-80
U22	2SC4185	Nec	N		npn RF 10V fT2.4GHz hFE 60-120
U23	2SC4185	Nec	N		npn RF 10V fT2.4GHz hFE 90-180
U55	3SK134B	Nec	UQ	SOT143	dg mosfet
U55	3SK245	Nec	UQ	SOT343	dg mosfet
U56	3SK134B	Nec	UQ	SOT143	dg mosfet
U56	3SK245	Nec	UQ	SOT343	dg mosfet
U65	3SK135A	Nec	UQ	SOT143	dg mosfet
U66	3SK135A	Nec	UQ	SOT143	dg mosfet
U71	BSR13R	SGS	R	SOT23R	2N2222
U71	3SK177	Nec	UQ	SOT143	dg GaAsfet Idss 5-15mA
U71	3SK299	Nec	UQ	SOT343	dg GaAsfet Idss 5-15mA
U72	3SK177	Nec	UQ	SOT143	dg GaAsfet Idss 10-25mA
U72	3SK299	Nec	UQ	SOT343	dg GaAsfet Idss 10-25mA
U73	3SK177	Nec	UQ	SOT143	dg GaAsfet Idss 20-35mA
U73	3SK299	Nec	UQ	SOT343	dg GaAsfet Idss 20-35mA
U74	3SK177	Nec	UQ	SOT143	dg GaAsfet Idss 30-40mA
U74	3SK299	Nec	UQ	SOT343	dg GaAsfet Idss 30-40mA
U76	3SK206	Nec	UQ	SOT143	dg GaAsfet Idss 10-25mA
U77	3SK206	Nec	UQ	SOT143	dg GaAsfet Idss 20-35mA
U78	3SK206	Nec	UQ	SOT143	dg GaAsfet Idss 30-50mA
U79	3SK206	Nec	UQ	SOT143	dg GaAsfet Idss 45-80mA
U81	BSR14R	SGS	R	SOT23R	2N2222A
U87	3SK176A	Nec	UQ	SOT143	dg mosfet
U88	3SK176A	Nec	UQ	SOT143	dg mosfet
U90	3SK223	Nec	UQ	SOT143	dg mosfet
U90	3SK243	Nec	UQ	SOT343	dg mosfet
U91	3SK223	Nec	UQ	SOT143	dg mosfet
U91	3SK243	Nec	UQ	SOT143	dg mosfet
U92	BSR17A	Fch	N	SOT23	2N3904
U92p	BSR17A	Phi	N	SOT23	2N3904
U94	3SK224D	Nec	UQ	SOT143	dg mosfet
U94	3SK244D	Nec	UQ	SOT343	dg mosfet

U95	3SK224E	Nec	UQ	SOT143	dg mosfet
U95	3SK244E	Nec	UQ	SOT143	dg mosfet
UB	2SB852K	Roh	N		pnP darlington comp 2SD1383K
UC	MSC2404-C	Mot	H		nPN RF 450MHz fT 20V
UF	3SK293	Tosh	DW	SC61	dg mosfet UHF amp, 3SK291
UH	3SK260	Tosh	DW	SC61	dg mosfet TV mixer, 3SK151
UI	3SK259	Tosh	DW	SC61	dg mosfet VHF/UHF amp, 3SK253
UK	3SK294	Tosh	DW	SC61	dg mosfet VHF/UHF amp, 3SK292
UN	3SK274	Tosh	DW	SC61	dg GaAsfet UHF amp, 3SK240
UO	3SK249	Tosh	DW	SC61	dg mosfet UHF amp, 3SK232
UP	CMDZ11L	CSC	I	SOD323	zener 250mW Iz 0.5mA 11V
UR	3SK256	Tosh	DW	SC61	dg mosfet UHF amp, 3SK207
UT	3SK257	Tosh	DW	SC61	dg mosfet VHF amp, 3SK225
UU	3SK258	Tosh	DW	SC61	dg mosfet VHF amp, 3SK226

*Last Updated on 10/07/2006
By GM4PMK*

GM4PMK's SMD Codebook

Codes beginning with 'V'

Code	Device	Manf	Base	Package	Leaded Equivalent/Data
V01	VN50300T	Sil	M		n-ch enh mosfet 500V 22mA
V02	VN0605T	Sil	M		n-ch enh mosfet 60V/0.18A
V04	VN45350T	Sil	M		n-ch enh mosfet 450V 20mA
V1p	BFT25	Phi	N	SOT23	npn RF 5V 6.5mA 2.3GHz
V1	MRF959	Mot	N	SC75	npn RF fT 9GHz
V1	DZ23C2V7	Dio	A	SOT23	dual cc zener 2.7V 0.3W
V1	1SV160	Tosh	B	SC59	FM AFC varicap 10pF
V2	BFQ67	Tfk	N		npn RF fT 7.5 GHz 50mA
V2	DZ23C3V0	Dio	A	SOT23	dual cc zener 3.0V 0.3W
V3	BFG67	Phi	X	SOT143	npn RF fT 8GHz 50mA
V3	DZ23C3V3	Dio	A	SOT23	dual cc zener 3.3V 0.3W
V3	1SV225	Tosh	DT	SMINI	2 x FM tuning varicap 20pF
pV3	BAT54A	Phi	A	SOT23	dual ca 30V 0.2A schottky
tV3	BAT54A	Phi	A	SOT23	dual ca 30V 0.2A schottky
wV3	BAT54A	Phi	A	SOT23	dual ca 30V 0.2A schottky
V4	DZ23C3V6	Dio	A	SOT23	dual cc zener 3.6V 0.3W
V4	1SV228	Tosh	DT	SMINI	2 x FM tuning varicap 30pF
pV4	BAT54S	Phi	D	SOT23	dual series 30V 0.2A schottky
tV4	BAT54S	Phi	D	SOT23	dual series 30V 0.2A schottky
wV4	BAT54S	Phi	D	SOT23	dual series 30V 0.2A schottky
V5	BFG197	Phi	X	SOT143	npn RF 7.5GHz 100mA
V5	DZ23C3V9	Dio	A	SOT23	dual cc zener 3.9V 0.3W
V5	1SV242	Tosh	DT	SMINI	2 x varicap 39pF
V6	DZ23C4V3	Dio	A	SOT23	dual cc zener 4.3V 0.3W
V7	DZ23C4V7	Dio	A	SOT23	dual cc zener 4.7V 0.3W
V8	DZ23C5V1	Dio	A	SOT23	dual cc zener 5.1V 0.3W
V9	DZ23C5V6	Dio	A	SOT23	dual cc zener 5.6V 0.3W
V10	DZ23C6V2	Dio	A	SOT23	dual cc zener 6.2V 0.3W
V11	3SK131	Nec	UQ	SOT143	dg VHF mosfet

V11	3SK242	Nec	UQ	SOT343	dg VHF mosfet
V11	DZZ23C6V8	Dio	A	SOT23	dual cc zener 6.8V 0.3W
V12	DZZ23C7V5	Dio	A	SOT23	dual cc zener 7.5V 0.3W
V12	3SK131	Nec	UQ	SOT143	dg VHF mosfet
V12	3SK242	Nec	UQ	SOT343	dg VHF mosfet
V13	3SK131	Nec	UQ	SOT143	dg VHF mosfet
V13	ZC932	Zet	C	SOT23	5 - 17pF hyperabrupt varicap
V13	3SK242	Nec	UQ	SOT343	dg VHF mosfet
V13	DZZ23C8V2	Dio	A	SOT23	dual cc zener 8.2V 0.3W
V14	ZC931	Zet	C	SOT23	4 -13.5pF hyperabrupt varicap
V14	DZZ23C9V1	Dio	A	SOT23	dual cc zener 9.1V 0.3W
V15	ZC930	Zet	C	SOT23	3 - 9pF hyperabrupt varicap
V15	DZZ23C10	Dio	A	SOT23	dual cc zener 10V 0.2W
V16	ZC934	Zet	C	SOT23	25 - 95pF hyperabrupt varicap
V16	DZZ23C11	Dio	A	SOT23	dual cc zener 11V 0.3W
V17	ZC933	Zet	C	SOT23	12 - 42pF hyperabrupt varicap
V17	DZZ23C12	Dio	A	SOT23	dual cc zener 12V 0.3W
V18	DZZ23C13	Dio	A	SOT23	dual cc zener 13V 0.3W
V19	DZZ23C15	Dio	A	SOT23	dual cc zener 15V 0.3W
V20	DZZ23C16	Dio	A	SOT23	dual cc zener 16V 0.3W
V21	3SK222	Nec	UQ	SOT143	dg VHF mosfet
V21	3SK246	Nec	UQ	SOT343	dg VHF mosfet
V21	DZZ23C18	Dio	A	SOT23	dual cc zener 18V 0.3W
V22	3SK222	Nec	UQ	SOT143	dg VHF mosfet
V22	3SK246	Nec	UQ	SOT343	dg VHF mosfet
V22	DZZ23C22	Dio	A	SOT23	dual cc zener 22V 0.3W
V23	DZZ23C22	Dio	A	SOT23	dual cc zener 22V 0.3W
V24	DZZ23C24	Dio	A	SOT23	dual cc zener 24V 0.3W
V25	DZZ23C27	Dio	A	SOT23	dual cc zener 27V 0.3W
V26	DZZ23C30	Dio	A	SOT23	dual cc zener 30V 0.3W
V27	DZZ23C33	Dio	A	SOT23	dual cc zener 33V 0.3W
V28	DZZ23C36	Dio	A	SOT23	dual cc zener 36V 0.3W
V29	DZZ23C39	Dio	A	SOT23	dual cc zener 39V 0.3W
V30	DZZ23C43	Dio	A	SOT23	dual cc zener 43V 0.3W
V31	DZZ23C47	Dio	A	SOT23	dual cc zener 47V 0.3W

V32	DZZ23C51	Dio	A	SOT23	dual cc zener 51V 0.3W
V50	VP0610T	Sil	M		p-ch enh mosfet -60V 120mA
VB	MSC2295-B	Mot	H		npn RF 150MHz fT 20V
VC	MSC2295-C	Mot	H		npn RF 150MHz fT 20V
VP	CMDZ12L	CSC	I	SOD323	zener 250mW Iz 0.5mA 12V

*Last Updated 10/07/2006
By GM4PMK*

GM4PMK's SMD Codebook

Codes beginning with 'W'

Code	Device	Manf	Base	Package	Leaded Equivalent/Data
W0F	TSDF1205RW	Vis	WQ	SOT343R	12GHz npn 5mA 4V
W03	S503TRW	Vis	UQ	SOT343R	dg mosfet MOSIC 5V uhf tv tuners
W04	S504TRW	Vis	UQ	SOT343R	dg mosfet MOSIC 5V uhf tv tuners
W05	S505TRW	Vis	UQ	SOT343R	dg mosfet MOSIC 5V uhf tv tuners
W1	BZT52B2V4	Vis	I	SOD123	300 mW zener 2% 2.4V
W1	BZT52C2V4	Vis	I	SOD123	300 mW zener 5% 2.4V
W1	BZT52C2V7S	Dio	I	SOD323	200mW zener 2.7V
W1	BZX384B2V4	Vis	I	SOD323	200 mW zener 2% 2.4V
W1	BZX384C2V4	Vis	I	SOD323	200 mW zener 5% 2.4V
pW1	BAT54C	Phi	B	SOT23	dual cc 30V 0.2A schottky
tW1	BAT54C	Phi	B	SOT23	dual cc 30V 0.2A schottky
wW1	BAT54C	Phi	B	SOT23	dual cc 30V 0.2A schottky
W1s	BFT92	Sie	N	SOT23	BFQ51/BFQ76
W1s	BCR10PN	Sie	DP	SOT363	pnp/npn dig 0.1A 10k+10k
W2	TSDF1220RW	Tfk	WQ	SOT343	12GHz npn 6V 20mA
W2	BZT52B2V7	Vis	I	SOD123	300 mW zener 2% 2.7V
W2	BZT52C2V7	Vis	I	SOD123	300 mW zener 5% 2.7V
W2	BZT52C3V0S	Dio	I	SOD323	200mW zener 3.0V
W2	BZX384B2V7	Vis	I	SOD323	200 mW zener 2% 2.7V
W2	BZX384C2V7	Vis	I	SOD323	200 mW zener 5% 2.7V
W2F	TSDF1220RW	Vis	WQ	SOT343R	12GHz npn 40mA 6V
W3	BZX84-C2V4	Phi	C	SOT23	0.3W zener 2.4V±5%
W3	BZT52B3V0	Vis	I	SOD123	300 mW zener 2% 3.0V
W3	BZT52C3V0	Vis	I	SOD123	300 mW zener 5% 3.0V
W3	BZT52C3V3S	Dio	I	SOD323	200mW zener 3.3V
W3	BZX384B3V0	Vis	I	SOD323	200 mW zener 2% 3.0V

W3	BZX384C3V0	Vis	I	SOD323	200 mW zener 5% 3.0V
W4	BZX84-C2V7	Phi	C	SOT23	0.3W zener 2.7V±5%
W4	BZT52B3V3	Vis	I	SOD123	300 mW zener 2% 3.3V
W4	BZT52C3V3	Vis	I	SOD123	300 mW zener 5% 3.3V
W4	BZT52C3V6S	Dio	I	SOD323	200mW zener 3.6V
W4	BZX384B3V3	Vis	I	SOD323	200 mW zener 2% 3.3V
W4	BZX384C3V3	Vis	I	SOD323	200 mW zener 5% 3.3V
W5	BZX84-C3V0	Phi	C	SOT23	0.3W zener 3.0V±5%
W5	BZT52B3V6	Vis	I	SOD123	300 mW zener 2% 3.6V
W5	BZT52C3V6	Vis	I	SOD123	300 mW zener 5% 3.6V
W5	BZT52C3V9S	Dio	I	SOD323	200mW zener 3.9V
W5	BZX384B3V6	Vis	I	SOD323	200 mW zener 2% 3.6V
W5	BZX384C3V6	Vis	I	SOD323	200 mW zener 5% 3.6V
W5F	TSDF1250RW	Vis	WQ	SOT343R	12GHz npn 60mA 6V
W6	BZX84-C3V3	Phi	C	SOT23	0.3W zener 3.3V±5%
W6	BZT52B3V9	Vis	I	SOD123	300 mW zener 2% 3.9V
W6	BZT52C3V9	Vis	I	SOD123	300 mW zener 5% 3.9V
W6	BZT52C4V3S	Dio	I	SOD323	200mW zener 4.3V
W6	BZX384B3V9	Vis	I	SOD323	200 mW zener 2% 3.9V
W6	BZX384C3V9	Vis	I	SOD323	200 mW zener 5% 3.9V
W7	BZX84-C3V6	Phi	C	SOT23	0.3W zener 3.6V±5%
W7	BZT52B4V3	Vis	I	SOD123	300 mW zener 2% 4.3V
W7	BZT52C4V3	Vis	I	SOD123	300 mW zener 5% 4.3V
W7	BZT52C4V7S	Dio	I	SOD323	200mW zener 4.7V
W7	BZX384B4V3	Vis	I	SOD323	200 mW zener 2% 4.3V
W7	BZX384C4V3	Vis	I	SOD323	200 mW zener 5% 4.3V
W8	BZX84-C3V9	Phi	C	SOT23	0.3W zener 3.9V±5%
W8	BZV49C3V9	Zet	O	SOT89	1W zener 3.9V±5%
W8	BZT52B4V7	Vis	I	SOD123	300 mW zener 2% 4.7V
W8	BZT52C4V7	Vis	I	SOD123	300 mW zener 5% 4.7V
W8	BZT52C5V1S	Dio	I	SOD323	200mW zener 5.1V
W8	BZX384B4V7	Vis	I	SOD323	200 mW zener 2% 4.7V
W8	BZX384C4V7	Vis	I	SOD323	200 mW zener 5% 4.7V
W9	BZX84-C4V3	Phi	C	SOT23	0.3W zener 4.3V±5%

W9	BZV49C4V3	Zet	O	SOT89	1W zener 4.3V±5%
W9	BZT52B5V1	Vis	I	SOD123	300 mW zener 2% 5.1V
W9	BZT52C5V1	Vis	I	SOD123	300 mW zener 5% 5.1V
W9	BZT52C5V6S	Dio	I	SOD323	200mW zener 5.6V
W9	BZX384B5V1	Vis	I	SOD323	200 mW zener 2% 5.1V
W9	BZX384C5V1	Vis	I	SOD323	200 mW zener 5% 5.1V
W10	CMPZDA27V	CSC	A	SOT23	dual ca zener 350mW 27V
W11	CMPZDA30V	CSC	A	SOT23	dual ca zener 350mW 30V
W12	CMPZDA33V	CSC	A	SOT23	dual ca zener 350mW 33V
W13	CMPZDA36V	CSC	A	SOT23	dual ca zener 350mW 36V
W13	S913TWR	Vis	UQ	SOT343R	dg mosfet MOSIC 9V uhf tv tuners
W14	CMPZDA39V	CSC	A	SOT23	dual ca zener 350mW 39V
W15	CMPZDA43V	CSC	A	SOT23	dual ca zener 350mW 43V
W16	CMPZDA47V	CSC	A	SOT23	dual ca zener 350mW 47V
W18	BFP181TW	Tfk	X		npn RF fT 7.8GHz 10V 20mA
W18	BFP181TRW	Tfk	WQ		npn RF fT 7.8GHz 10V 20mA
W22	S822TW	Tfk	X		npn rf fT 5.2 GHz 6V 8mA
W22	S822TRW	Tfk	WQ		npn rf fT 5.2 GHz 6V 8mA
W28	BFP280TRW	Tfk	WQ		npn rf fT 7 GHz 8V 10mA
W28	BFP280TW	Tfk	X		npn rf fT 7 GHz 8V 10mA
W52	S852TW	Tfk	X		npn rf fT 5.2 GHz 6V 8mA
W59	S595TRW	Vis	UQ	SOT143R	biased dg mosfet MOSIC 5V uhf tv tuners
W67	BFP67W	Tfk	X		npn rf fT 7.5 GHz 10V 50mA
W82	BFP182TRW	Tfk	WQ		npn rf fT 7.5 GHz 10V 35mA
W82	BFP182TW	Tfk	X		npn rf fT 7.5 GHz 10V 35mA
W83	BFP183TRW	Tfk	WQ		npn rf fT 7.4 GHz 10V 65mA
W83	BFP183T	Tfk	X		npn rf fT 7.4 GHz 10V 65mA
W92	BFP92AW	Tfk	X	SOT343	npn rf fT 6 GHz 15V 30mA
W93	S593TRW	Vis	UQ	SOT343R	biased dg mosfet MOSIC 5V uhf tv tuners
W94	S594TRW	Vis	UQ	SOT343R	biased dg mosfet MOSIC 5V uhf tv tuners

W99	S949TRW	Vis	UQ	SOT343R	biased dg uhf mosfet MOSIC for TV tuners 9V
WA	BZT52B5V6	Vis	I	SOD123	300 mW zener 2% 5.6V
WA	BZT52C5V6	Vis	I	SOD123	300 mW zener 5% 5.6V
WA	BZT52C6V2S	Dio	I	SOD323	200mW zener 6.2V
WB	2SD1383K	Roh	N		npn darlington comp 2SB852K
WB	BZT52B6V2	Vis	I	SOD123	300 mW zener 2% 6.2V
WB	BZT52C6V2	Vis	I	SOD123	300 mW zener 5% 6.2V
WB	BZT52C6V8S	Dio	I	SOD323	200mW zener 6.8V
WC	BZT52B6V8	Vis	I	SOD123	300 mW zener 2% 6.8V
WC	BZT52C6V8	Vis	I	SOD123	300 mW zener 5% 6.8V
WC	BZT52C7V5S	Dio	I	SOD323	200mW zener 7.5V
WCs	BCR133	Sie	N	SOT23	npn dig 50V 0.1A 10k+10k
WCs	BCR133T	Sie	N	SC75	npn dig 50V 0.1A 10k+10k
WCs	BCR133U	Sie	N	SOT457	npn dig 50V 0.1A 10k+10k
WCs	BCR133W	Sie	N	SOT323	npn dig 50V 0.1A 10k+10k
WCs	BCR133S	Sie	DN	SOT363	dual BCR133
WD	BZT52B7V5	Vis	I	SOD123	300 mW zener 2% 7.5V
WD	BZT52C7V5	Vis	I	SOD123	300 mW zener 5% 7.5V
WD	BZT52C8V2S	Dio	I	SOD323	200mW zener 8.2V
WDs	BCR141	Sie	N	SOT23	npn 50V 0.1A dig 22k +22k
WDs	BCR141T	Sie	N	SC75	npn 50V 0.1A dig 22k +22k
WDs	BCR141W	Sie	N	SOT323	npn 50V 0.1A dig 22k +22k
WDs	BCR141S	Sie	DN	SOT363	dual BCR141
WE	BZT52B8V2	Vis	I	SOD123	300 mW zener 2% 8.2V
WE	BZT52C8V2	Vis	I	SOD123	300 mW zener 5% 8.2V
WE	BZT52C9V1S	Dio	I	SOD323	200mW zener 9.1V
WEs	BCR148	Sie	N	SOT23	npn 50V 0.1A dig 47k +47k
WEs	BCR148T	Sie	N	SC75	npn 50V 0.1A dig 47k +47k
WEs	BCR148U	Sie	N	SOT457	npn 50V 0.1A dig 47k +47k
WEs	BCR148W	Sie	N	SOT323	npn 50V 0.1A dig 47k +47k
WEs	BCR148S	Sie	DN	SOT363	dual BCR148
WE1	BFS17W	Tfk	N		npn rf fT 2.1GHz SOT-323
WE2	BFS17AW	Tfk	N		npn rf fT 3.2GHz SOT-323

WF	BZT52B9V1	Vis	I	SOD123	300 mW zener 2% 9.1V
WF	BZT52C9V1	Vis	I	SOD123	300 mW zener 5% 9.1V
WF	BZT52C10S	Dio	I	SOD323	200mW zener 10V
WFs	BCR08PN	Sie	DP	SOT363	pnp/npn dig 0.1A 2k2+47k
WFs	BCR112	Sie	N	SOT23	npn dig 50V 0.1A 4k7+4k7
WF0	TSDF1205W	Vis	X	SOT343	12 GHz npn 12mA 4V
WF2	TSDF1220W	Vis	X	SOT343	12GHz npn 6V 40mA
WF5	TSDF1250W	Vis	X	SOT343	12GHz npn 6V 60mA
WFE	BFP93A	Tfk	X	SOT343	BFP93A (FE) in 6GHz npn
WG	BZT52B10	Vis	I	SOD123	300 mW zener 2% 10V
WG	BZT52C10	Vis	I	SOD123	300 mW zener 5% 10V
WG	BZT52C11S	Vis	I	SOD123	300 mW zener 5% 11V
WG	BZX384B10	Vis	I	SOD323	200 mW zener 2% 10V
WG	BZX384C10	Vis	I	SOD323	200 mW zener 5% 10V
WGs	BCR116	Sie	N	SOT23	npn dig 50V 0.1A 4k7+47k
WGs	BCR116W	Sie	N	SOT323	npn dig 50V 0.1A 4k7+47k
WH	BZT52B11	Vis	I	SOD123	300 mW zener 2% 11V
WH	BZT52C11	Vis	I	SOD123	300 mW zener 5% 11V
WH	BZX384B11	Vis	I	SOD323	200 mW zener 2% 11V
WH	BZX384C11	Vis	I	SOD323	200 mW zener 5% 11V
WG	BZT52C12S	Vis	I	SOD123	300 mW zener 5% 12V
WHs	BCR108	Sie	N	SOT23	npn dig 50V 0.1A 2k2+47k
WHs	BCR108T	Sie	N	SC75	npn dig 50V 0.1A 2k2+47k
WHs	BCR108W	Sie	N	SOT323	npn dig 50V 0.1A 2k2+47k
WHs	BCR108S	Sie	DN	SOT363	dual BCR108
WI	BZT52B12	Vis	I	SOD123	300 mW zener 2% 12V
WI	BZT52C12	Vis	I	SOD123	300 mW zener 5% 12V
WI	BZT52C13S	Vis	I	SOD123	300 mW zener 5% 13V
WI	BZX384B12	Vis	I	SOD323	200 mW zener 2% 12V
WI	BZX384C12	Vis	I	SOD323	200 mW zener 5% 12V
WIs	BCR158	Sie	N	SOT23	pnp dig 50V 0.1A 2k2+47k
WIs	BCR158T	Sie	N	SC75	pnp dig 50V 0.1A 2k2+47k
WIs	BCR158W	Sie	N	SOT323	pnp dig 50V 0.1A 2k2+47k
WJs	BCR135	Sie	N	SOT23	npn dig 50V 0.1A 10k+47k

WJs	BCR135T	Sie	N	SC75	npn dig 50V 0.1A 10k+47k
WJs	BCR135W	Sie	N	SOT323	npn dig 50V 0.1A 10k+47k
WJs	BCR135S	Sie	DN	SOT363	dual BCR135
WJ	BZT52C15S	Vis	I	SOD123	300 mW zener 5% 15V
WK	BZT52B13	Vis	I	SOD123	300 mW zener 2% 13V
WK	BZT52C13	Vis	I	SOD123	300 mW zener 5% 13V
WK	BZT52C16S	Vis	I	SOD123	300 mW zener 5% 16V
WK	BZX384B13	Vis	I	SOD323	200 mW zener 2% 13V
WK	BZX384C13	Vis	I	SOD323	200 mW zener 5% 13V
Wks	BCR119	Sie	N	SOT23	npn dig 50V 0.1A 4k7
Wks	BCR119S	Sie	DN	SOT363	npn dig 50V 0.1A 4k7
Wks	BCR119W	Sie	N	SOT323	npn dig 50V 0.1A 4k7
WL	BZT52B15	Vis	I	SOD123	300 mW zener 2% 15V
WL	BZT52C15	Vis	I	SOD123	300 mW zener 5% 15V
WL	BZT52C18S	Vis	I	SOD123	300 mW zener 5% 18V
WL	BZX384B15	Vis	I	SOD323	200 mW zener 2% 15V
WL	BZX384C15	Vis	I	SOD323	200 mW zener 5% 15V
Wls	BCR146	Sie	N	SOT23	dual npn dig 50V 47k+22k
Wls	BCR146W	Sie	N	SOT323	dual npn dig 50V 47k+22k
WM	BZT52B16	Vis	I	SOD123	300 mW zener 2% 16V
WM	BZT52C16	Vis	I	SOD123	300 mW zener 5% 16V
WG	BZT52C20S	Vis	I	SOD123	300 mW zener 5% 20V
WM	BZX384B16	Vis	I	SOD323	200 mW zener 2% 16V
WM	BZX384C16	Vis	I	SOD323	200 mW zener 5% 16V
Wms	BCR183	Sie	N	SOT23	pnp dig 50V 10k+10k
Wms	BCR183W	Sie	N	SOT323	pnp dig 50V 10k+10k
Wms	BCR183T	Sie	N	SC75	pnp dig 50V 10k+10k
Wms	BCR183U	Sie	N	SOT457	pnp dig 50V 10k+10k
Wms	BCR183S	Sie	DO	SOT363	dual pnp dig 50V 10k+10k
WMO	BF998RW	Tfk	UQ	SOT343R	vhf dg mosfet BF988
WN	BZT52B18	Vis	I	SOD123	300 mW zener 2% 18V
WN	BZT52C18	Vis	I	SOD123	300 mW zener 5% 18V
WN	BZT52C22S	Vis	I	SOD123	300 mW zener 5% 22V
WN	BZX384B18	Vis	I	SOD323	200 mW zener 2% 18V

WN	BZX384C18	Vis	I	SOD323	200 mW zener 5% 18V
WNs	BCR185	Sie	N	SOT23	pnnp dig 50V 0.1A 10k+47k
WNs	BCR185U	Sie	N	SOT457	pnnp dig 50V 0.1A 10k+47k
WNs	BCR185W	Sie	N	SOT323	pnnp dig 50V 0.1A 10k+47k
WNs	BCR185S	Sie	DO	SOT363	dual BCR185
WO	BZT52B20	Vis	I	SOD123	300 mW zener 2% 20V
WO	BZT52C20	Vis	I	SOD123	300 mW zener 5% 20V
WO	BZT52C24S	Vis	I	SOD123	300 mW zener 5% 24V
WO	BZX384B20	Vis	I	SOD323	200 mW zener 2% 20V
WO	BZX384C20	Vis	I	SOD323	200 mW zener 5% 20V
WOs	BCR191	Sie	N	SOT23	pnnp dig 50V 0.1A 22k+22k
WOs	BCR191W	Sie	N	SOT323	pnnp dig 50V 0.1A 22k+22k
WOs	BCR191S	Sie	DO	SOT363	dual BCR191
WO	BZX284-B2V4	Phi	I	SOD110	0.4W zener 2.4V E24 \pm 2%
WP	BZX284-B2V7	Phi	I	SOD110	0.4W zener 2.7V E24 \pm 2%
WP	BZT52B22	Vis	I	SOD123	300 mW zener 2% 22V
WP	BZT52C22	Vis	I	SOD123	300 mW zener 5% 22V
WP	BZT52C27S	Vis	I	SOD123	300 mW zener 5% 27V
WP	BZX384B22	Vis	I	SOD323	200 mW zener 2% 22V
WP	BZX384C22	Vis	I	SOD323	200 mW zener 5% 22V
WPs	BCR192	Sie	N	SOT23	pnnp dig 50V 0.1A 22k+47k
WPs	BCR192T	Sie	N	SC75	pnnp dig 50V 0.1A 22k+47k
WPs	BCR192W	Sie	N	SOT323	pnnp dig 50V 0.1A 22k+47k
WPs	BCR22PN	Sie	DP	SOT363	pnnp/npn dig 0.1A 22k+22k
WP2	BFR92A	Tfk	N	SOT23	BRF90A
WQ	BZX284-B3V0	Phi	I	SOD110	0.4W zener 3.0V E24 \pm 2%
WQ	BZT52C30S	Vis	I	SOD123	300 mW zener 5% 30V
WR	BZT52B24	Vis	I	SOD123	300 mW zener 2% 24V
WR	BZT52C24	Vis	I	SOD123	300 mW zener 5% 24V
WR	BZT52C33S	Vis	I	SOD123	300 mW zener 5% 33V
WR	BZX384B24	Vis	I	SOD323	200 mW zener 2% 24V
WR	BZX384C24	Vis	I	SOD323	200 mW zener 5% 24V
WR	MSD602R	Mot	N	SOT346	npn gp 25V 150mA
WRs	BCR198	Sie	N	SOT23	pnnp dig 50V 0.1A 47k+47k

WRs	BCR198W	Sie	NN	SOT323	pnp dig 50V 0.1A 47k+47k
WRs	BCR198S	Sie	D	SOT363	dual BCR198
WR	BZX284-B3V3	Phi	I	SOD110	0.4W zener 3.3V E24 ±2%
WR2	BFR93AW	Tfk	N		BFR91A
WRE	BFR280TW	Tfk	N		npn RF ft 7.5GHz
WRF	BFR181TW	Tfk	N		npn RF ft 7.8GHz
WRG	BFR182TW	Tfk	N		npn RF ft 7GHz
WRH	BFR183TW	Tfk	N		npn RF ft 7.4GHz
WS	BCR169	Sie	N	SOT23	pnp dig 50V 0.1A 4k7
WS	BCR169W	Sie	N	SOT323	pnp dig 50V 0.1A 4k7
WS	BCR169S	Sie	DO	SOT363	dual BC169
WS	BZT52B27	Vis	I	SOD123	300 mW zener 2% 27V
WS	BZT52C27	Vis	I	SOD123	300 mW zener 5% 27V
WS	BZT52C36S	Vis	I	SOD123	300 mW zener 5% 136V
WS	BZX384B27	Vis	I	SOD323	200 mW zener 2% 27V
WS	BZX384C27	Vis	I	SOD323	200 mW zener 5% 27V
WS	BZX284-B3V6	Phi	I	SOD110	0.4W zener 3.6V E24 ±2%
WT	BCR166	Sie	N	SOT23	pnp dig 50V 0.1A 4k7+47k
WT	BCR166W	Sie	N	SOT323	pnp dig 50V 0.1A 4k7+47k
WT	BCR48PN	Sie	DP	SOT363	pnp/npn dig npn 2x47k pnp 2k2+47k
WT	BZT52B30	Vis	I	SOD123	300 mW zener 2% 30V
WT	BZT52C30	Vis	I	SOD123	300 mW zener 5% 30V
WT	BZT52C39S	Vis	I	SOD123	300 mW zener 5% 39V
WT	BZX384B30	Vis	I	SOD323	200 mW zener 2% 30V
WT	BZX384C30	Vis	I	SOD323	200 mW zener 5% 30V
WT	BZX284-B3V9	Phi	I	SOD110	0.4W zener 3.9V E24 ±2%
WU	BCR162	Sie	N	SOT23	pnp dig 50V 0.1A 4k7+4k7
WU	BCR162T	Sie	N	SC75	pnp dig 50V 0.1A 4k7+4k7
WU	BCR35PN	Sie	DP	SOT363	pnp/npn dig 0.1A 10k+47k
WU	BZX284-B4V3	Phi	I	SOD110	0.4W zener 4.3V E24 ±2%
WU	BZT52B33	Vis	I	SOD123	300 mW zener 2% 33V
WU	BZT52C33	Vis	I	SOD123	300 mW zener 5% 33V
WU	BZX384B33	Vis	I	SOD323	200 mW zener 2% 33V
WU	BZX384C33	Vis	I	SOD323	200 mW zener 5% 33V

WU	MRF2947A	Mot	DG	SOT363	dual MRF941 npn RF 9GHz
WW	BZT52B36	Vis	I	SOD123	300 mW zener 2% 36V
WW	BZT52C36	Vis	I	SOD123	300 mW zener 5% 36V
WW	BZX384B36	Vis	I	SOD323	200 mW zener 2% 36V
WW	BZX384C36	Vis	I	SOD323	200 mW zener 5% 36V
WW3	CMPZDA2V4	CSC	A	SOT23	dual ca zener 350mW 2.4V
WW4	CMPZDA2V7	CSC	A	SOT23	dual ca zener 350mW 2.7V
WW5	CMPZDA3V0	CSC	A	SOT23	dual ca zener 350mW 3.0V
WW6	CMPZDA3V3	CSC	A	SOT23	dual ca zener 350mW 3.3V
WW7	CMPZDA3V6	CSC	A	SOT23	dual ca zener 350mW 3.6V
WW8	CMPZDA3V9	CSC	A	SOT23	dual ca zener 350mW 3.9V
WW9	CMPZDA4V3	CSC	A	SOT23	dual ca zener 350mW 4.3V
WX	BZT52B39	Vis	I	SOD123	300 mW zener 2% 39V
WX	BZT52C39	Vis	I	SOD123	300 mW zener 5% 39V
WX	BZX384B39	Vis	I	SOD323	200 mW zener 2% 39V
WX	BZX384C39	Vis	I	SOD323	200 mW zener 5% 39V
WX3	S593TXRW	Vis	UQ	SOT143R	biased dg mosfet MOSIC 5V uhf tv tuners
WX4	S594TXRW	Vis	UQ	SOT143R	biased dg mosfet MOSIC 5V uhf tv tuners
WX5	S595TXRW	Vis	UQ	SOT143R	biased dg mosfet MOSIC 5V uhf tv tuners
WX6	S504TXRW	Vis	UQ	SOT343R	biased dg mosfet MOSIC 5V uhf tv tuners
WX7	S505TXRW	Vis	UQ	SOT343R	biased dg mosfet MOSIC 5V uhf tv tuners
WX8	S503TXRW	Vis	UQ	SOT343R	biased dg mosfet MOSIC 5V uhf tv tuners
WY	BZT52B43	Vis	I	SOD123	300 mW zener 2% 43V
WY	BZT52C43	Vis	I	SOD123	300 mW zener 5% 43V
WY	BZX384B43	Vis	I	SOD323	200 mW zener 2% 43V
WY	BZX384C43	Vis	I	SOD323	200 mW zener 5% 43V
WY5	S505TXRW	Vis	UQ	SOT343R	dg mosfet MOSIC 5V uhf tv tuners
WY6	S506TXRW	Vis	UQ	SOT343R	dg mosfet MOSIC 5V uhf tv tuners

WZ	BZT52B47	Vis	I	SOD123	300 mW zener 2% 47V
WZ	BZT52C47	Vis	I	SOD123	300 mW zener 5% 47V
WZ	BZX384B47	Vis	I	SOD323	200 mW zener 2% 47V
WZ	BZX384C47	Vis	I	SOD323	200 mW zener 5% 47V

*Last Updated 10/07/2006
by GM4PMK*

GM4PMK's SMD Codebook

Codes beginning with 'X'

Code	Device	Manf	Base	Package	Leaded Equivalent/Data
X (white)	BB833	Sie	I	SOT323	9.3-0.75pF varicap
X (yellow)	BB835	Sie	I	SOT323	9.1-0.6pF varicap
X	BB187	Phi	I	SOD 523	VHF Varicap 2,7-13,7pF
X03	S503TX	Vis	W	SOT143	dg mosfet MOSIC 5V uhf tv tuners
X04	S504TX	Vis	W	SOT143	dg mosfet MOSIC 5V uhf tv tuners
X05	S505TX	Vis	W	SOT143	dg mosfet MOSIC 5V uhf tv tuners
X1	BFT93	Sie	N	SOT23	BFQ23 BFQ75
X1p	BFT93	Phi	N	SOT23	BFQ23 BFQ75
X1	IMX1	Roh	DC		dual 2SC2412K npn
X1	BZX84-C27	Phi	C	SOT23	0.3W zener 27V±5%
X1	BZT52B51	Vis	I	SOD123	300 mW zener 2% 51V
X1	BZT52C51	Vis	I	SOD123	300 mW zener 5% 51V
X1	BZX384B51	Vis	I	SOD323	200 mW zener 2% 51V
X1	BZX384C51	Vis	I	SOD323	200 mW zener 5% 51V
X1	CMDZ5221B	CSC	I	SOD323	250mW zener 5% 2.4V
X2	IMX2	Roh	DD		dual 2SC2412K npn
X2	BZX99-C13	Phi	C	SOT23	13V 0.3W zener ±5%
X2	BZX84-C30	Zet	C	SOT23	0.3W zener 30V±5%
X2	BZV49C30	Zet	O	SOT89	1W zener 30V±5%
X2	BZT52B56	Vis	I	SOD123	300 mW zener 2% 56V
X2	BZT52C56	Vis	I	SOD123	300 mW zener 5% 56V
X2	BZX384B56	Vis	I	SOD323	200 mW zener 2% 56V
X2	BZX384C56	Vis	I	SOD323	200 mW zener 5% 56V
X2	CMDZ5222B	CSC	I	SOD323	250mW zener 5% 2.5V

X3	BZX99-C15	Phi	C	SOT23	15V 0.3W zener $\pm 5\%$
X3	BZX84-C33	Zet	C	SOT23	0.3W zener 33V $\pm 5\%$
X3	BZT52B62	Vis	I	SOD123	300 mW zener 2% 62V
X3	BZT52C62	Vis	I	SOD123	300 mW zener 5% 62V
X3	BZX384B62	Vis	I	SOD323	200 mW zener 2% 62V
X3	BZX384C62	Vis	I	SOD323	200 mW zener 5% 62V
X3	CMDZ5223B	CSC	I	SOD323	250mW zener 5% 2.7V
X3R	S593TXR	Vis	UQ	SOT143R	biased dg mosfet MOSIC 5V uhf tv tuners
X4	BFT93R	Sie	R	SOT23R	BFQ23 BFQ75
X4	BZX84-C36	Zet	C	SOT23	0.3W zener 36V $\pm 5\%$
X4	BZT52B68	Vis	I	SOD123	300 mW zener 2% 68V
X4	BZT52C68	Vis	I	SOD123	300 mW zener 5% 68V
X4	BZX384B68	Vis	I	SOD323	200 mW zener 2% 68V
X4	BZX384C68	Vis	I	SOD323	200 mW zener 5% 68V
X4	CMDZ5224B	CSC	I	SOD323	250mW zener 5% 2.8V
X4R	S594TXR	Vis	UQ	SOT143R	biased dg mosfet MOSIC 5V uhf tv tuners
X5	BZV49C39	Zet	O	SOT89	1W zener 39V $\pm 5\%$
X5	MMBV409G	Mot	C	SOT23	Hyperabrupt varicap
X5	BZT52B75	Vis	I	SOD123	300 mW zener 2% 75V
X5	BZT52C75	Vis	I	SOD123	300 mW zener 5% 75V
X5	BZX384B75	Vis	I	SOD323	200 mW zener 2% 75V
X5	BZX384C75	Vis	I	SOD323	200 mW zener 5% 75V
X5	CMDZ5225B	CSC	I	SOD323	250mW zener 5% 3.0V
X5R	S595TXR	Vis	UQ	SOT143R	biased dg mosfet MOSIC 5V uhf tv tuners
X6	BZV49C43	Zet	O	SOT89	1W zener 43V $\pm 5\%$
X6	BZX84-C43	Zet	C	SOT23	0.3W zener 43V $\pm 5\%$
X6	CMDZ5226B	CSC	I	SOD323	250mW zener 5% 3.3V
X6R	S504TXR	Vis	UQ	SOT143R	dg mosfet MOSIC 5V uhf tv tuners
X7	BZX84-C47	Zet	C	SOT23	0.3W zener 47V $\pm 5\%$
X7	CMDZ5227B	CSC	I	SOD323	250mW zener 5% 3.6V

X7R	S505TXR	Vis	UQ	SOT143R	dg mosfet MOSIC 5V uhf tv tuners
X8	CMDZ5228B	CSC	I	SOD323	250mW zener 5% 3.9V
X8C	S503TXR	Vis	UQ	SOT143R	dg mosfet MOSIC 5V uhf tv tuners
X9	CMDZ5229B	CSC	I	SOD323	250mW zener 5% 4.3V
X93	S593TX	Vis	W	SOT143	biased dg mosfet MOSIC 5V uhf tv tuners
X94	S594TX	Vis	W	SOT143	biased dg mosfet MOSIC 5V uhf tv tuners
X95	S595TX	Vis	W	SOT143	biased dg mosfet MOSIC 5V uhf tv tuners
XAs	BCR503	Sie	N	SOT23	npn dtr 50V 0.5A 2k2 +2k2
XA	BZX284-B7V5	Phi	I	SOD110	0.4W zener 7.5V E24 ±2%
XA	BZX99-C4V7	Phi	C	SOT23	4.7V 0.3W zener
XA	CMDZ5230B	CSC	I	SOD323	250mW zener 5% 4.7V
XBs	BCR553	Sie	N	SOT23	pnP dtr 50V 0.5A 2k2 +2k2
XB	BZX284-B8V2	Phi	I	SOD110	0.4W zener 8.2V E24 ±2%
XB	BZX99-C5V1	Phi	C	SOT23	5.1V 0.3W zener
XB	CMDZ5231B	CSC	I	SOD323	250mW zener 5% 5.1V
XC _s	BCR533	Sie	N	SOT23	npn dtr 50V 0.5A 10k + 10k
XC	BZX284-B9V1	Phi	I	SOD110	0.4W zener 9.1V E24 ±2%
XC	BZX99-C5V6	Phi	C	SOT23	5.6V 0.3W zener
XC	CMDZ5232B	CSC	I	SOD323	250mW zener 5% 5.6V
XD _s	BCR555	Sie	N	SOT23	pnP dtr 50V 0.5A 2k2 +10k
XD	BZX284-B10	Phi	I	SOD110	0.4W zener 10V E24 ±2%
XD	BZX99-C6V2	Phi	C	SOT23	6.2V 0.3W zener
XD	CMDZ5233B	CSC	I	SOD323	250mW zener 5% 6.0V
XE	BZX284-B11	Phi	I	SOD110	0.4W zener 11V E24 ±2%
XE	BZX99-C6V8	Phi	C	SOT23	6.8V 0.3W zener
XE	CMDZ5234B	CSC	I	SOD323	250mW zener 5% 6.2V
XF _s	BCR512	Sie	N	SOT23	npn dtr 50V 0.5A 4k7+ 4k7
XF	BZX284-B12	Phi	I	SOD110	0.4W zener 12V E24 ±2%
XF	CMDZ5235B	CSC	I	SOD323	250mW zener 5% 6.8V
XG _s	BCR523	Sie	N	SOT23	npn dtr 50V 0.5A 1k0 +10k

XG	BZX284-B13	Phi	I	SOD110	0.4W zener 13V E24 $\pm 2\%$ S
XG	CMDZ5236B	CSC	I	SOD323	250mW zener 5% 7.5V
XHs	BCR573	Sie	N	SOT23	pnv dtr 50V 0.5A 1k0 +10k
XH	BZX284-B15	Phi	I	SOD110	0.4W zener 15V E24 $\pm 2\%$
XH	MMSD701	Mot	I	SOD123	MMBD701
XH	CMDZ5237B	CSC	I	SOD323	250mW zener 5% 8.2V
XI	BZX284-B16	Phi	I	SOD110	0.4W zener 16V E24 $\pm 2\%$
XJ	BZX284-B18	Phi	I	SOD110	0.4W zener 18V E24 $\pm 2\%$
XJ	CMDZ5238B	CSC	I	SOD323	250mW zener 5% 8.7V
XKs	BCR519	Sie	N	SOT23	npn dtr 50V 0.5A R1 4k7
XK	BZX284-B20	Phi	I	SOD110	0.4W zener 20V E24 $\pm 2\%$
XK	CMDZ5239B	CSC	I	SOD323	250mW zener 5% 9.1V
XLs	BCR569	Sie	N	SOT23	pnv dtr 50V 0.5A R1 4k7
XL	BZX284-B22	Phi	I	SOD110	0.4W zener 22V E24 $\pm 2\%$
XL	BZX99-C2V4	Phi	C	SOT23	2.4V 0.3W zener
XL	CMDZ5240B	CSC	I	SOD323	250mW zener 5% 10V
XMs	BCR583	Sie	N	SOT23	pnv dtr 50V 0.5A 10k +10k
XM	BZX284-B24	Phi	I	SOD110	0.4W zener 24V E24 $\pm 2\%$
XM	BZX99-C2V7	Phi	C	SOT23	2.7V 0.3W zener
XN	BZX284-B27	Phi	I	SOD110	0.4W zener 27V E24 $\pm 2\%$
XN	BZX99-C3V0	Phi	C	SOT23	3.0V 0.3W zener
XN	CMDZ5241B	CSC	I	SOD323	250mW zener 5% 11V
XO	BZX284-B30	Phi	I	SOD110	0.4W zener 30V E24 $\pm 2\%$
XO	CMDZ5242B	CSC	I	SOD323	250mW zener 5% 12V
XP	MMBD3000	Mot	C	SOT346	Si diode 30V 0.2A
XP	BZX284-B33	Phi	I	SOD110	0.4W zener 33V E24 $\pm 2\%$
XP	BZX99-C3V3	Phi	C	SOT23	3.3V 0.3W zener
XP	CMDZ5243B	CSC	I	SOD323	250mW zener 5% 13V
XP	CMDZ13L	CSC	I	SOD323	zener 250mW Iz 0.5mA 13V
XQ	MMBD3005	Mot	A	SOT346	dual ca MMBD3000
XQ	BZX284-B36	Phi	I	SOD110	0.4W zener 36V E24 $\pm 2\%$
XQ	2PD602AQ	Phi	N	SOT346	gp npn hfe 85-170
XQ	CMDZ5244B	CSC	I	SOD323	250mW zener 5% 14V

XR	BZX284-B39	Phi	I	SOD110	0.4W zener 39V E24 ±2%
XR	BZX99-C3V6	Phi	C	SOT23	3.6V 0.3W zener
XR	MRF2947RA	Mot	DH	SOT363	dual MRF941 npn RF 9GHz
XR	2PD602AR	Phi	N	SOT346	gp npn hfe 120-240
XR	CMDZ5245B	CSC	I	SOD323	250mW zener 5% 15V
XS	MMBD3010	Mot	B	SOT346	dual cc MMBD3000
XS	BZX284-B43	Phi	I	SOD110	0.4W zener 43V E24 ±2%
XS	BZX99-C3V9	Phi	C	SOT23	3.9V 0.3W zener
XS	2PD602AS	Phi	N	SOT346	gp npn hfe 170-340
XS	CMDZ5246B	CSC	I	SOD323	250mW zener 5% 16V
XT	BZX284-B47	Phi	I	SOD110	0.4W zener 47V E24 ±2%
XT	MMSD301	Mot	I	SOD123	MBD301
XT	BZX99-C4V3	Phi	C	SOT23	4.3V 0.3W zener
XT	CMDZ5247B	CSC	I	SOD323	250mW zener 5% 17V
XU	BZX284-B51	Phi	I	SOD110	0.4W zener 51V E24 ±2%
XU	MRF2947RA	Mot	DH		dual MRF941 npn RF 9GHz
XUs	BCR562	Sie	N	SOT23	pnp dtr 50V 0.5A 4k7+ 4k7
XU	BZX99-C7V5	Phi	C	SOT23	7.5V 0.3W zener
XU	CMDZ5248B	CSC	I	SOD323	250mW zener 5% 18V
XV	BZX284-B56	Phi	I	SOD110	0.4W zener 56V E24 ±2%
XVs	BCR521	Sie	N	SOT23	npn dtr 50V 0.5A 1k0 +1k0
XV	BZX99-C8V2	Phi	C	SOT23	8.2V 0.3W zener
XV	CMDZ5249B	CSC	I	SOD323	250mW zener 5% 19V
XW	BZX284-B62	Phi	I	SOD110	0.4W zener 62V E24 ±2%
XWs	BCR505	Sie	N	SOT23	npn dtr 50V 0.5A 2k2 +10k
XW	BZX99-C9V1	Phi	C	SOT23	9.1V 0.3W zener
XX	BZX284-B68	Phi	I	SOD110	0.4W zener 68V E24 ±2%
XX	BZX99-C10	Phi	C	SOT23	10V 0.3W zener
XX	CMDZ5250B	CSC	I	SOD323	250mW zener 5% 20V
XXs	BCR571	Sie	N	SOT23	pnp dtr 50V 0.5A 1k0 +1k0
XY	BZX99-C11	Phi	C	SOT23	11V 0.3W zener
XY	BZX284-B75	Phi	I	SOD110	0.4W zener 75V E24 ±2%
XY	CMDZ5251B	CSC	I	SOD323	250mW zener 5% 22V
XZ	CMDZ5252B	CSC	I	SOD323	250mW zener 5% 24V

XZ	BZX99-C12	Phi	C	SOT23	12V 0.3W zener
----	-----------	-----	---	-------	----------------

Last modified 10/07/2006
By GM4PMK

GM4PMK's SMD Codebook

Codes beginning with 'Y'

Code	Device	Manf	Base	Package	Leaded Equivalent/Data
Y	BB182B	Phi	I	SOD 523	VHF Varicap
Y0s	CGY121B	Sie			GaAs MMIC
Y05	S505TX	Vis	W	SOT143	dg mosfet MOSIC 5V uhf tv tuners
Y06	S506TX	Vis	W	SOT143	dg mosfet MOSIC 5V uhf tv tuners
Y1	BZX84-C11	Phi	C	SOT23	0.3W zener 11V±5%
Y1p	BZX84-C11	Phi	C	SOT23	0.3W zener 11V±5%
Y1	BZV49C11	Zet	O	SOT89	1W zener 11V ±5%
Y1	CMDZ5253B	CSC	I	SOT323	zener 250mW 5% 25V
Y2	CLY2	Sie	DR	MW6	3GHz GaAsfet 0.25W 3GHz
Y2	BZX84-C12	Phi	C	SOT23	0.3W zener 12V±5%
Y2	CMDZ5254B	CSC	I	SOT323	zener 250mW 5% 27V
Y3	BZX84-C13	Phi	C	SOT23	0.3W zener 13V±5%
Y3	CMDZ5255B	CSC	I	SOT323	zener 250mW 5% 28V
Y4	BZX84-C15	Phi	C	SOT23	0.3W zener 15V±5%
Y4	BZV49C15	Zet	O	SOT89	1W zener 15V ±5%
Y4	CMDZ5256B	CSC	I	SOT323	zener 250mW 5% 30V
Y5s	CGY59	Sie	DS	SOT363	GaAs 0.9/1.8GHz preamp
Y5	BZX84-C16	Phi	C	SOT23	0.3W zener 16V±5%
Y5	BZV49C16	Zet	O	SOT89	1W zener 16V ±5%
Y5	CMDZ5257B	CSC	I	SOT323	zener 250mW 5% 33V
Y5R	S505TXR	Vis	UQ	SOT143R	dg mosfet MOSIC 5V uhf tv tuners
Y6s	CGY62	Sie	DS	MW6	GaAs MMIC
Y6	BZX84-C18	Phi	C	SOT23	0.3W zener 18V±5%
Y6	CMDZ5258B	CSC	I	SOT323	zener 250mW 5% 36V
Y6R	S506TXR	Vis	UQ	SOT143R	dg mosfet MOSIC 5V uhf tv tuners

Y7	CGY60	Sie	DS	MW6	GaAs preamp MMIC 1.8GHz
Y7	BZX84-C20	Phi	C	SOT23	0.3W zener 20V±5%
Y7	CMDZ5259B	CSC	I	SOT323	zener 250mW 5% 39V
Y8	CGY120	Sie		MW6	GaAs MMIC
Y8	BZX84-C22	Phi	C	SOT23	0.3W zener 22V±5%
Y8	BZV49C22	Zet	O	SOT89	1W zener 22V ±5%
Y8	CMDZ5260B	CSC	I	SOT323	zener 250mW 5% 43V
Y9s	CGY121A	Sie		MW6	GaAs MMIC
Y9	BZX84-C24	Phi	C	SOT23	0.3W zener 24V±5%
Y9	BZV49C24	Zet	O	SOT89	1W zener 24V ±5%
Y9	CMDZ5261B	CSC	I	SOT323	zener 250mW 5% 47V
Y10	BZX84-C27	Phi	C	SOT23	0.3W zener 27V±5%
Y11	BZX84-C30	Phi	C	SOT23	0.3W zener 30V±5%
Y12	BZX84-C33	Phi	C	SOT23	0.3W zener 33V±5%
Y13	BZX84-C36	Phi	C	SOT23	0.3W zener 36V±5%
Y14	BZX84-C39	Phi	C	SOT23	0.3W zener 39V±5%
Y15	BZX84-C43	Phi	C	SOT23	0.3W zener 43V±5%
Y16	BZX84-C47	Phi	C	SOT23	0.3W zener 47V±5%
Y17	BZX84-C51	Phi	C	SOT23	0.3W zener 51V±5%
Y18	BZX84-C56	Phi	C	SOT23	0.3W zener 56V±5%
Y19	BZX84-C62	Phi	C	SOT23	0.3W zener 62V±5%
Y20	BZX84-C68	Phi	C	SOT23	0.3W zener 68V±5%
Y21	BZX84-C75	Phi	C	SOT23	0.3W zener 75V±5%
Y36	BZX84-C13V6	Phi	C	SOT23	0.3W zener 13.6V±5%
Y50	BZX84-A2V4	Phi	C	SOT23	0.3W zener 2.4V ±1%
Y51	BZX84-A2V7	Phi	C	SOT23	0.3W zener 2.7V ±1%
Y52	BZX84-A3V0	Phi	C	SOT23	0.3W zener 3.0V ±1%
Y53	BZX84-A3V3	Phi	C	SOT23	0.3W zener 3.3V ±1%
Y54	BZX84-A3V6	Phi	C	SOT23	0.3W zener 3.6V ±1%
Y55	BZX84-A3V9	Phi	C	SOT23	0.3W zener 3.9V ±1%
Y56	BZX84-A4V3	Phi	C	SOT23	0.3W zener 4.3V ±1%
Y57	BZX84-A4V7	Phi	C	SOT23	0.3W zener 4.7V ±1%
Y58	BZX84-A5V1	Phi	C	SOT23	0.3W zener 5.1V ±1%

Y59	BZX84-A5V6	Phi	C	SOT23	0.3W zener 5.6V $\pm 1\%$
Y60	BZX84-A6V2	Phi	C	SOT23	0.3W zener 6.2V $\pm 1\%$
Y61	BZX84-A6V8	Phi	C	SOT23	0.3W zener 6.8V $\pm 1\%$
Y62	BZX84-A7V5	Phi	C	SOT23	0.3W zener 7.5V $\pm 1\%$
Y63	BZX84-A8V2	Phi	C	SOT23	0.3W zener 8.2V $\pm 1\%$
Y64	BZX84-A9V1	Phi	C	SOT23	0.3W zener 9.1V $\pm 1\%$
Y65	BZX84-A10	Phi	C	SOT23	0.3W zener 10V $\pm 1\%$
Y66	BZX84-A11	Phi	C	SOT23	0.3W zener 11V $\pm 1\%$
Y67	BZX84-A12	Phi	C	SOT23	0.3W zener 12V $\pm 1\%$
Y68	BZX84-A13	Phi	C	SOT23	0.3W zener 13V $\pm 1\%$
Y69	BZX84-A15	Phi	C	SOT23	0.3W zener 15V $\pm 1\%$
Y70	BZX84-A16	Phi	C	SOT23	0.3W zener 16V $\pm 1\%$
Y71	BZX84-A18	Phi	C	SOT23	0.3W zener 18V $\pm 1\%$
Y72	BZX84-A20	Phi	C	SOT23	0.3W zener 20V $\pm 1\%$
Y73	BZX84-A22	Phi	C	SOT23	0.3W zener 22V $\pm 1\%$
Y74	BZX84-A24	Phi	C	SOT23	0.3W zener 24V $\pm 1\%$
Y75	BZX84-A27	Phi	C	SOT23	0.3W zener 27V $\pm 1\%$
Y76	BZX84-A30	Phi	C	SOT23	0.3W zener 30V $\pm 1\%$
Y77	BZX84-A33	Phi	C	SOT23	0.3W zener 33V $\pm 1\%$
Y78	BZX84-A36	Phi	C	SOT23	0.3W zener 36V $\pm 1\%$
Y79	BZX84-A39	Phi	C	SOT23	0.3W zener 39V $\pm 1\%$
Y80	BZX84-A43	Phi	C	SOT23	0.3W zener 43V $\pm 1\%$
Y81	BZX84-A47	Phi	C	SOT23	0.3W zener 47V $\pm 1\%$
Y82	BZX84-A51	Phi	C	SOT23	0.3W zener 51V $\pm 1\%$
Y83	BZX84-A56	Phi	C	SOT23	0.3W zener 56V $\pm 1\%$
Y84	BZX84-A62	Phi	C	SOT23	0.3W zener 62V $\pm 1\%$
Y85	BZX84-A68	Phi	C	SOT23	0.3W zener 68V $\pm 1\%$
Y86	BZX84-A75	Phi	C	SOT23	0.3W zener 75V $\pm 1\%$
YBs	BSS84	Inf	M	SOT23	p-ch mosfet 50V 0.13A
YO	BZX284-C2V4	Phi	I	SOD110	0.4W zener 2.4V E12 $\pm 5\%$
YP	BZX284-C2V7	Phi	I	SOD110	0.4W zener 2.7V E12 $\pm 5\%$
YP	CMDZ15L	CSC	I	SOD323	zener 250mW Iz 0.5mA 15V
YQ	BZX284-C3V0	Phi	I	SOD110	0.4W zener 3.0V E12 $\pm 5\%$
YR	MSD601R	Mot	N	SOT346	npn gp 25V

YR	BZX284-C3V3	Phi	I	SOD110	0.4W zener 3.3V E12 ±5%
YS	MSD601S	Mot	N	SOT346	npn gp 25V
YS	BZX284-C3V6	Phi	I	SOD110	0.4W zener 3.6V E12 ±5%
YT	BZX284-C3V9	Phi	I	SOD110	0.4W zener 3.9V E12 ±5%
YU	BZX284-C4V3	Phi	I	SOD110	0.4W zener 4.3V E12 ±5%
YV	BZX284-C4V7	Phi	I	SOD110	0.4W zener 4.7V E12 ±5%
YW	BZX284-C5V1	Phi	I	SOD110	0.4W zener 5.1V E12 ±5%
YX	BZX284-C5V6	Phi	I	SOD110	0.4W zener 5.6V E12 ±5%
YY	BZX284-C6V2	Phi	I	SOD110	0.4W zener 6.2V E12 ±5%
YY1	CMPZDA11V	CSC	A	SOT23	dual ca zener 350mW 11V
YY2	CMPZDA12V	CSC	A	SOT23	dual ca zener 350mW 12V
YY3	CMPZDA13V	CSC	A	SOT23	dual ca zener 350mW 13V
YY4	CMPZDA15V	CSC	A	SOT23	dual ca zener 350mW 15V
YY5	CMPZDA16V	CSC	A	SOT23	dual ca zener 350mW 16V
YY6	CMPZDA18V	CSC	A	SOT23	dual ca zener 350mW 18V
YY7	CMPZDA20V	CSC	A	SOT23	dual ca zener 350mW 20V
YY8	CMPZDA22V	CSC	A	SOT23	dual ca zener 350mW 22V
YY9	CMPZDA24V	CSC	A	SOT23	dual ca zener 350mW 24V
YZ	BZX284-C6V8	Phi	I	SOD110	0.4W zener 6.8V E12 ±5%

Last Updated on 10/07/2006

By GM4PMK

GM4PMK's SMD Codebook

Codes beginning with 'Z'

Code	Device	Manf	Base	Package	Leaded Equivalent/Data
Z	BB145B	Phi	I	SOD 523	Low Voltage Varicap
Z0	SST310	Tem	F	SOT23	J310 n-ch jfet
Z0	PDZ2.4B	Phi	I	SOD323	2.4V 0.4W zener
Z08	SST308	Sil	F	SOT23	J308 n-ch jfet
Z09	SST309	Sil	F	SOT23	J309 n-ch jfet
Z10	SST310	Sil	F	SOT23	J310 n-ch jfet
Z1	BB145B-01	Phi	I	SOD 723	Low Voltage Varicap
Z1	BZX84-C4V7	Phi	C	SOT23	0.3W zener 4.7V
Z1	SSTJ211	Sil	F	SOT23	J211 n-ch jfet
Z1	PDZ2.7B	Phi	I	SOD323	2.7V 0.4W zener
Z1	IMZ1A	Roh	DE		2SC2414 npn,2SA1037AK pnp
Z1	BZV49C4V7	Zet	O	SOT89	1W ±5% zener 4.7V
Z2	BZX84-C5V1	Phi	C	SOT23	0.3W zener 4.7V
Z2	SSTJ212	Sil	F	SOT23	J212 n-ch jfet
Z2	IMZ2A	Roh	DF		2SC2414 npn,2SA1037AK pnp
Z2	PDZ3.0B	Phi	I	SOD323	3.0V 0.4W zener
Z2	BZV49C5V1	Zet	O	SOT89	1W ±5% zener 5.1V
Z2U	FMMTA63	Zet	N	SOT23	MPSA63
Z2V	FMMTA64	Zet	N	SOT23	MPSA64
Z3	BZX84-C5V6	Phi	C	SOT23	0.3W zener 5.6V
Z3	PDZ3.3B	Phi	I	SOD323	3.3V 0.4W zener
Z3	2SK1078	Tos	T	SOT89	n-ch mosfet 60V 0.8A
Z3	BZV49C5V6	Zet	O	SOT89	1W ±5% zener 5.6V
Z4	BZX84-C6V2	Phi	C	SOT23	0.3W zener 6.2V
Z4	PDZ3.6B	Phi	I	SOD323	3.6V 0.4W zener
Z4	2SK1079	Tos	T	SOT89	n-ch mosfet 100V 0.6A

Z4	BZV49C6V2	Zet	O	SOT89	1W \pm 5% zener 6.2V
Z5	BZX84-C6V8	Phi	C	SOT23	0.3W zener 6.8V
Z5	PDZ3.9B	Phi	I	SOD323	3.9V 0.4W zener
Z5	2SK1717	Tos	T	SOT89	n-ch mosfet 60V 2A
Z5	BZV49C6V8	Zet	O	SOT89	1W \pm 5% zener 6.8V
Z6	BZX84-C7V5	Phi	C	SOT23	0.3W zener 7.5V
Z6	PDZ4.3B	Phi	I	SOD323	4.3V 0.4W zener
Z6	2SJ238	Tos	T	SOT89	p-ch mosfet 60V 1A
Z6	BZV49C7V5	Zet	O	SOT89	1W \pm 5% zener 7.5V
Z7	BZX84-C8V2	Phi	C	SOT23	0.3W zener 8.2V
Z7	PDZ4.7B	Phi	I	SOD323	4.7V 0.4W zener
Z7	BZV49C8V2	Zet	O	SOT89	1W \pm 5% zener 8.2V
Z8	BZX84-C9V1	Phi	C	SOT23	0.3W zener 9.1V
Z8	PDZ5.1B	Phi	I	SOD323	5.1V 0.4W zener
Z8	BZV49C9V1	Zet	O	SOT89	1W \pm 5% zener 9.1V
Z9	BZX84-C10	Phi	C	SOT23	0.3W zener 10V
Z9	PDZ5.6B	Phi	I	SOD323	5.6V 0.4W zener
Z1	BZV49C10	Zet	O	SOT89	1W \pm 5% zener 10V
Z10	SST310	Sil	F	SOT23	J310 n-ch jfet
Z11	BZX84-C2V4	Phi	C	SOT23	0.3W zener 2.4V \pm 5%
Z12	BZX84-C2V7	Phi	C	SOT23	0.3W zener 2.7V \pm 5%
Z13	BZX84-C3V0	Phi	C	SOT23	0.3W zener 3.0V \pm 5%
Z14	BZX84-C3V3	Phi	C	SOT23	0.3W zener 3.3V \pm 5%
Z15	BZX84-C3V6	Phi	C	SOT23	0.3W zener 3.6V \pm 5%
Z16	BZX84-C3V9	Phi	C	SOT23	0.3W zener 3.9V \pm 5%
Z17	BZX84-C4V3	Phi	C	SOT23	0.3W zener 4.3V \pm 5%
Z21	DTC113ZE	Rho	N	EMT3	nnp dtr 1k0 + 10k 50V 100mA
Z21	DTC113ZUA	Rho	N	SC70	nnp dtr 1k0 + 10k 50V 100mA
Z21	DTC113ZKA	Rho	N	SC59	nnp dtr 1k0 + 10k 50V 100mA
Z50	BZX84-B2V4	Phi	C	SOT23	0.3W zener 2.4V \pm 2%
Z51	BZX84-B2V7	Phi	C	SOT23	0.3W zener 2.7V \pm 2%
Z52	BZX84-B3V0	Phi	C	SOT23	0.3W zener 3.0V \pm 2%
Z53	BZX84-B3V3	Phi	C	SOT23	0.3W zener 3.3V \pm 2%
Z54	BZX84-B3V6	Phi	C	SOT23	0.3W zener 3.6V \pm 2%

Z55	BZX84-B3V9	Phi	C	SOT23	0.3W zener 3.9V $\pm 2\%$
Z56	BZX84-B4V3	Phi	C	SOT23	0.3W zener 4.3V $\pm 2\%$
Z57	BZX84-B4V7	Phi	C	SOT23	0.3W zener 4.7V $\pm 2\%$
Z58	BZX84-B5V1	Phi	C	SOT23	0.3W zener 5.1V $\pm 2\%$
Z59	BZX84-B5V6	Phi	C	SOT23	0.3W zener 5.6V $\pm 2\%$
Z60	BZX84-B6V2	Phi	C	SOT23	0.3W zener 6.2V $\pm 2\%$
Z61	BZX84-B6V8	Phi	C	SOT23	0.3W zener 6.8V $\pm 2\%$
Z62	BZX84-B7V5	Phi	C	SOT23	0.3W zener 7.5V $\pm 2\%$
Z63	BZX84-B8V2	Phi	C	SOT23	0.3W zener 8.2V $\pm 2\%$
Z64	BZX84-B9V1	Phi	C	SOT23	0.3W zener 9.1V $\pm 2\%$
Z65	BZX84-B10	Phi	C	SOT23	0.3W zener 10V $\pm 2\%$
Z66	BZX84-B11	Phi	C	SOT23	0.3W zener 11V $\pm 2\%$
Z67	BZX84-B12	Phi	C	SOT23	0.3W zener 12V $\pm 2\%$
Z68	BZX84-B13	Phi	C	SOT23	0.3W zener 13V $\pm 2\%$
Z69	BZX84-B15	Phi	C	SOT23	0.3W zener 15V $\pm 2\%$
Z70	BZX84-B16	Phi	C	SOT23	0.3W zener 16V $\pm 2\%$
Z71	BZX84-B18	Phi	C	SOT23	0.3W zener 18V $\pm 2\%$
Z72	BZX84-B20	Phi	C	SOT23	0.3W zener 20V $\pm 2\%$
Z73	BZX84-B22	Phi	C	SOT23	0.3W zener 22V $\pm 2\%$
Z74	BZX84-B24	Phi	C	SOT23	0.3W zener 24V $\pm 2\%$
Z75	BZX84-B27	Phi	C	SOT23	0.3W zener 27V $\pm 2\%$
Z76	BZX84-B30	Phi	C	SOT23	0.3W zener 30V $\pm 2\%$
Z77	BZX84-B33	Phi	C	SOT23	0.3W zener 33V $\pm 2\%$
Z78	BZX84-B36	Phi	C	SOT23	0.3W zener 36V $\pm 2\%$
Z79	BZX84-B39	Phi	C	SOT23	0.3W zener 39V $\pm 2\%$
Z80	BZX84-B43	Phi	C	SOT23	0.3W zener 43V $\pm 2\%$
Z81	BZX84-B47	Phi	C	SOT23	0.3W zener 47V $\pm 2\%$
Z82	BZX84-B51	Phi	C	SOT23	0.3W zener 51V $\pm 2\%$
Z83	BZX84-B56	Phi	C	SOT23	0.3W zener 56V $\pm 2\%$
Z84	BZX84-B62	Phi	C	SOT23	0.3W zener 62V $\pm 2\%$
Z85	BZX84-B68	Phi	C	SOT23	0.3W zener 68V $\pm 2\%$
Z86	BZX84-B75	Phi	C	SOT23	0.3W zener 75V $\pm 2\%$
ZA	BZX284-C7V5	Phi	I	SOD110	0.4W zener 7.5V $\pm 5\%$
ZA	PDZ6.2B	Phi	I	SOD323	6.2V 0.4W zener

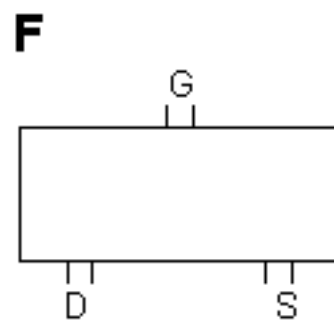
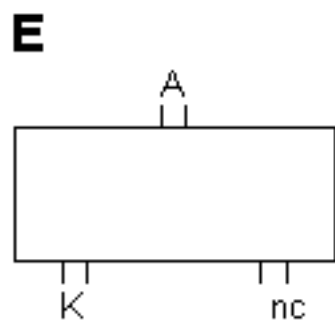
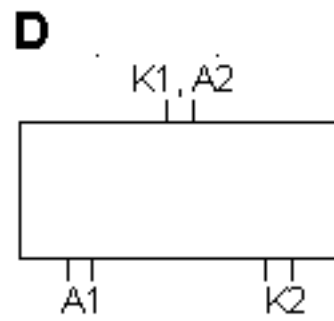
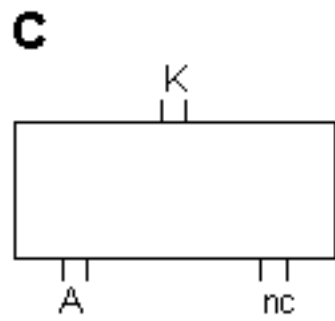
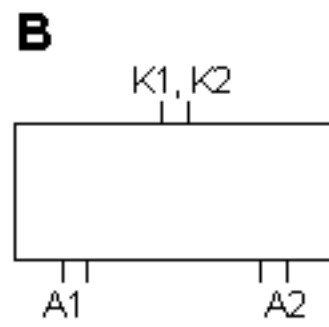
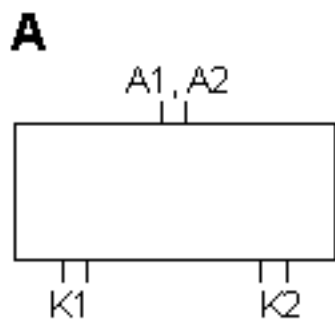
ZB	FMMT4123	Zet	N	SOT23	2N4123
ZB	PDZ6.8B	Phi	I	SOD323	6.8V 0.4W zener
ZB	BZX284-C8V2	Phi	I	SOD110	0.4W zener 8.2V $\pm 5\%$
ZC	FMMT4124	Zet	N	SOT23	2N4124
ZC	BZX284-C9V1	Phi	I	SOD110	0.4W zener 9.1V $\pm 5\%$
ZC	PDZ7.5B	Phi	I	SOD323	7.5V 0.4W zener
ZD	FMMT4125	Zet	N	SOT23	2N4125
ZD	MMBT4125	Mot	N	SOT23	2N4125
ZD	BZX284-C10	Phi	I	SOD110	0.4W zener 10V $\pm 5\%$
ZD	PDZ8.2B	Phi	I	SOD323	8.2V 0.4W zener
ZE	FMMT4126	Zet	N	SOT23	2N4126
ZE	MMBT4123	Nat	N	SOT23	2N4123
ZE	BZX284-C11	Phi	I	SOD110	0.4W zener 11V $\pm 5\%$
ZE	PDZ9.1B	Phi	I	SOD323	9.1V 0.4W zener
ZF	BZX284-C12	Phi	I	SOD110	0.4W zener 12V $\pm 5\%$
ZF	PDZ10B	Phi	I	SOD323	10V 0.4W zener
ZG	BZX284-C13	Phi	I	SOD110	0.4W zener 13V $\pm 5\%$
ZG	PDZ11B	Phi	I	SOD323	11V 0.4W zener
ZH	BZX284-C15	Phi	I	SOD110	0.4W zener 15V $\pm 5\%$
ZH	PDZ12B	Phi	I	SOD323	12V 0.4W zener
ZHK	SM2Z5V1	STM	I	2W SMD	5.1V 2W zener
ZHL	SM2Z5V6	STM	I	2W SMD	5.6V 2W zener
ZHW	SM2Z12	STM	I	2W SMD	12V 2W zener
ZI	BZX284-C16	Phi	I	SOD110	0.4W zener 16V $\pm 5\%$
ZJ	BZX284-C18	Phi	I	SOD110	0.4W zener 18V $\pm 5\%$
ZJ	PDZ13B	Phi	I	SOD323	13V 0.4W zener
ZJF	SM2Z18	STM	I	2W SMD	18V 2W zener
ZJQ	SM2Z30	STM	I	2W SMD	30V 2W zener
ZK	BZX284-C20	Phi	I	SOD110	0.4W zener 20V $\pm 5\%$
ZK	PDZ15B	Phi	I	SOD323	15V 0.4W zener

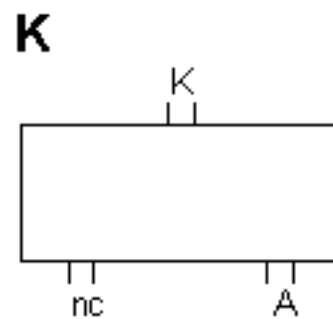
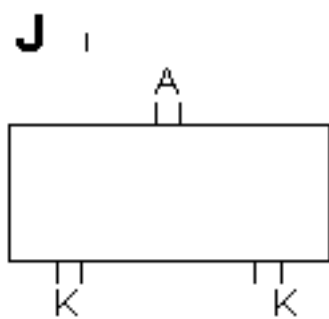
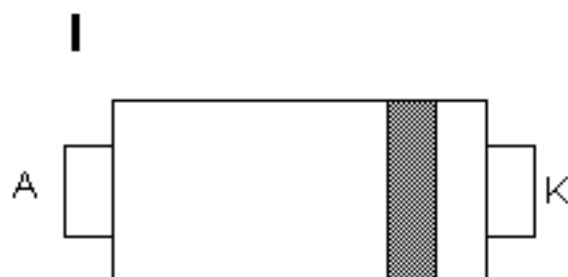
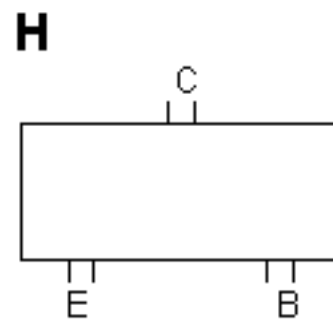
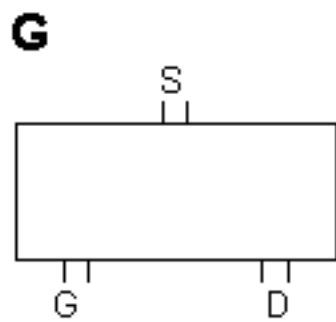
ZKR	SM2Z150	STM	I	2W SMD	150V 2W zener
ZL	BZX284-C22	Phi	I	SOD110	0.4W zener 22V $\pm 5\%$
ZL	PDZ16B	Phi	I	SOD323	16V 0.4W zener
ZM	BZX284-C24	Phi	I	SOD110	0.4W zener 24V $\pm 5\%$
ZM	PDZ18B	Phi	I	SOD323	18V 0.4W zener
ZN	BZX284-C27	Phi	I	SOD110	0.4W zener 27V $\pm 5\%$
ZN	PDZ20B	Phi	I	SOD323	20V 0.4W zener
ZO	BZX284-C30	Phi	I	SOD110	0.4W zener 30V $\pm 5\%$
ZP	BZX284-C33	Phi	I	SOD100	0.4W zener 33V $\pm 5\%$
ZP	PDZ22B	Phi	I	SOD323	22V 0.4W zener
ZP	CMDZ16L	CSC	I	SOD323	zener 250mW Iz 0.5mA 16V
ZQ	BZX284-C36	Phi	I	SOD110	0.4W zener 36V $\pm 5\%$
ZQ	PDZ24B	Phi	I	SOD323	24V 0.4W zener
Z-Q	2PC4081Q	Phi	N	SOT323	gp npn hfe 120-270
ZtQ	2PC4081Q	Phi	N	SOT323	gp npn hfe 120-270
ZR	MSD1819A	Mot	N	SOT323	nnp gp 50V
ZR	BZX284-C39	Phi	I	SOD110	0.4W zener 39V $\pm 5\%$
ZR	PDZ27B	Phi	I	SOD323	27V 0.4W zener
Z-R	2PC4081R	Phi	N	SOT323	gp npn hfe 180-390
ZtR	2PC4081R	Phi	N	SOT323	gp npn hfe 180-390
ZS	BZX284-C43	Phi	I	SOD110	0.4W zener 43V $\pm 5\%$
ZS	PDZ30B	Phi	I	SOD323	30V 0.4W zener
ZS1	ZHCS1000	Zet	C	SOT23	30V 1A schottky diode
ZS2	ZHCS2000	Zet	C	SOT23	40V 2A schottky diode
ZS5	ZHCS500	Zet	C	SOT23	40V 0.5A schottky diode
ZS7	ZHCS750	Zet	C	SOT23	30V 0.75A schottky diode
Z-S	2PC4081S	Phi	N	SOT323	gp npn hfe 270-560
ZtS	2PC4081S	Phi	N	SOT323	gp npn hfe 270-560
ZT	BZX284-C47	Phi	I	SOD110	0.4W zener 47V $\pm 5\%$
ZT	PDZ33B	Phi	I	SOD323	33V 0.4W zener
ZU	BZX284-C51	Phi	I	SOD110	0.4W zener 51V $\pm 5\%$
ZU	PDZ36B	Phi	I	SOD323	36V 0.4W zener
ZV	BZX284-C56	Phi	I	SOD110	0.4W zener 56V $\pm 5\%$

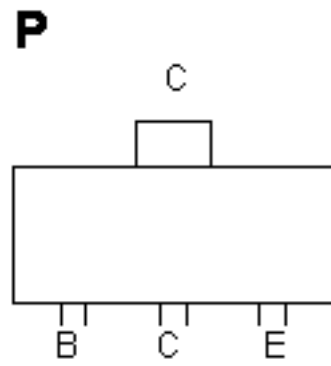
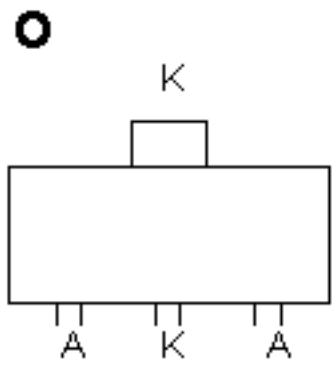
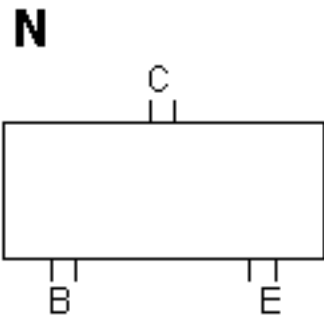
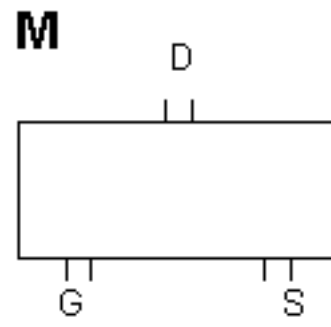
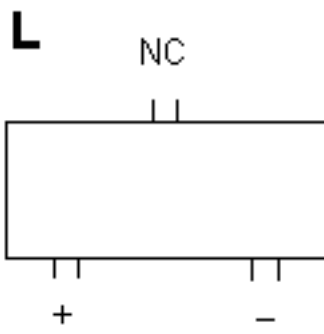
ZW	BZX284-C62	Phi	I	SOD110	0.4W zener 62V \pm 5%
ZX	BZX284-C68	Phi	I	SOD110	0.4W zener 68V \pm 5%
ZY	BZX284-C75	Phi	I	SOD110	0.4W zener 75V \pm 5%

Last Updated on 10/07/2006

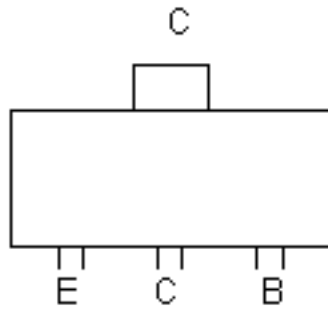
By GM4PMK



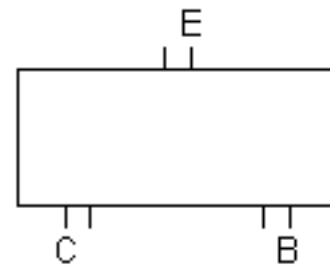




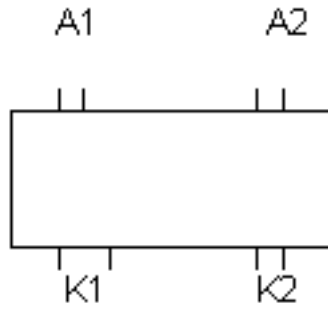
Q



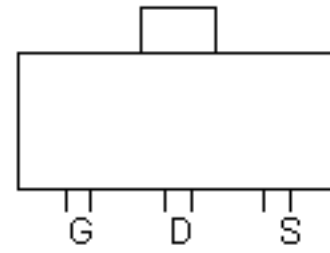
R (SOT-23 Reverse joggle)



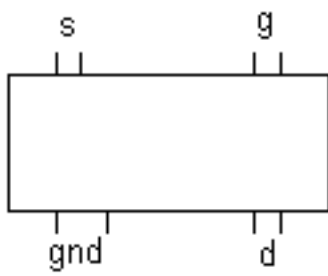
S



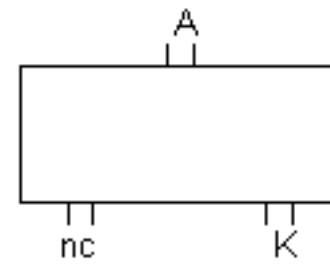
T



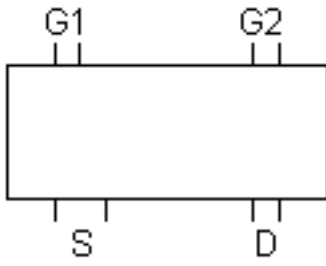
U



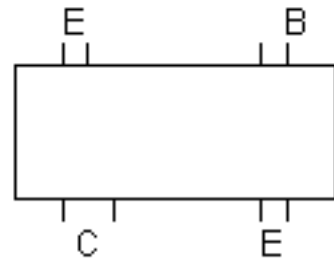
V



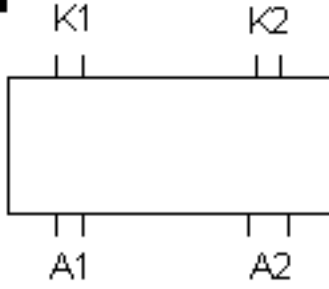
W



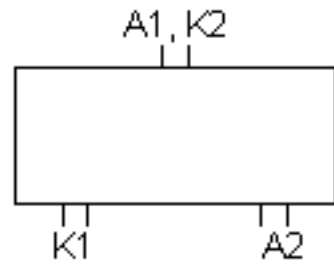
X



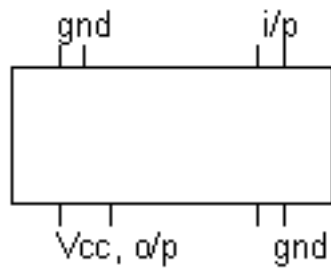
Y



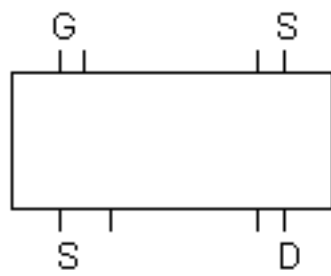
Z



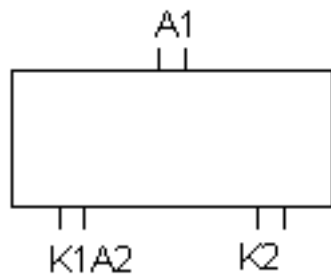
AQ



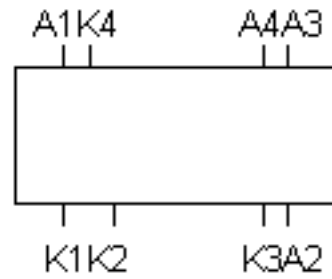
CQ



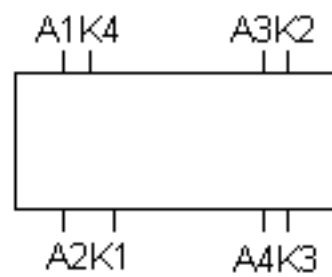
EQ



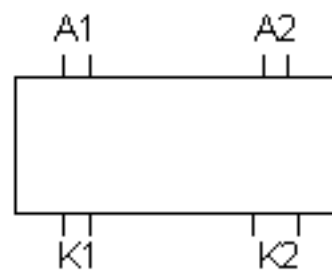
BQ



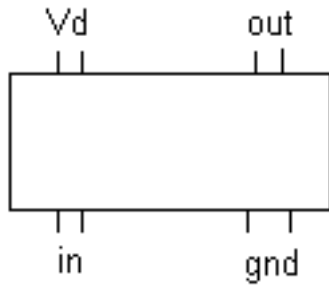
DQ



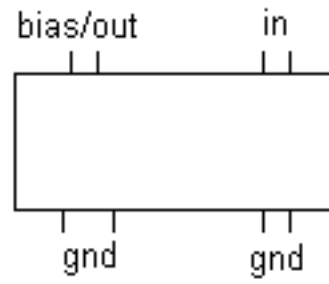
FQ



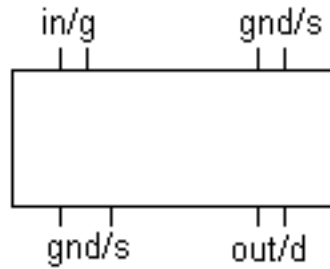
GQ



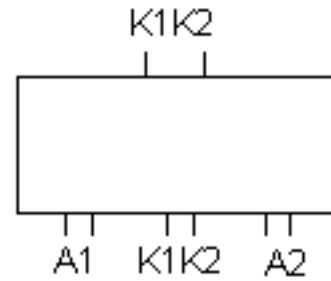
HQ



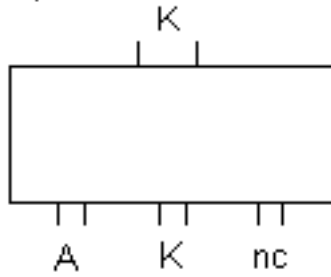
IQ



JQ

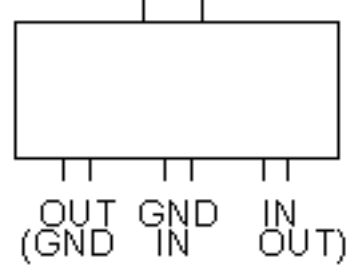


LQ

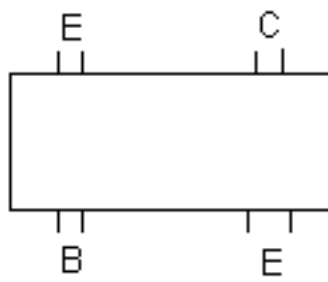


(KQR)

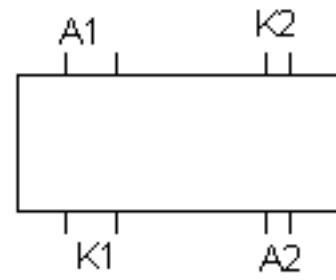
KQ



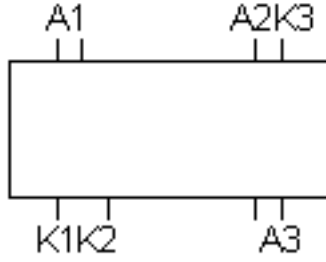
MQ



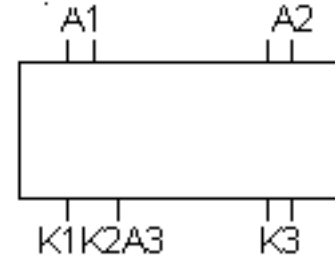
NQ



PQ



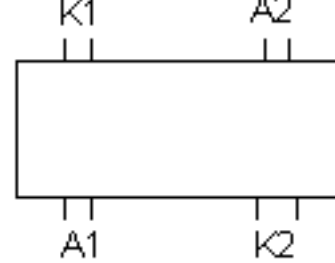
QQ



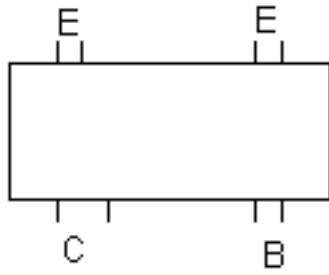
RQ



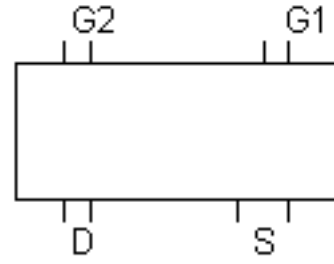
SQ



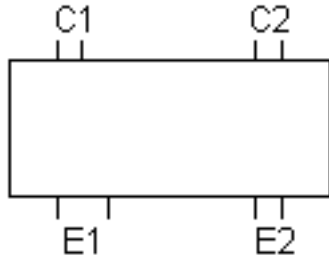
TQ



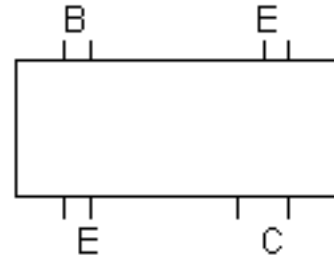
UQ



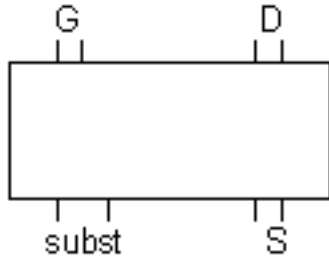
VQ



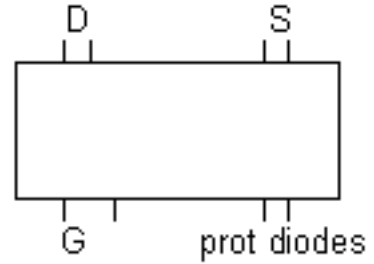
WQ

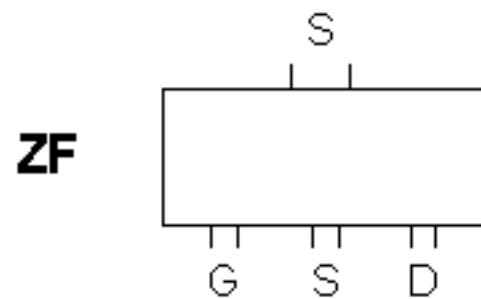
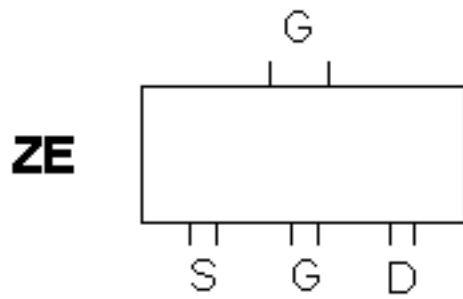
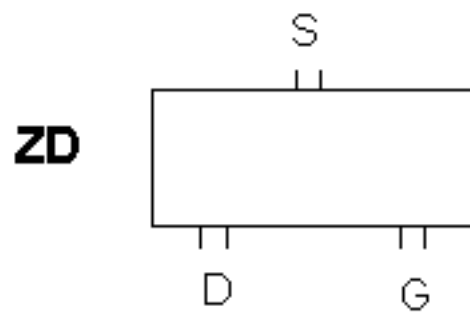
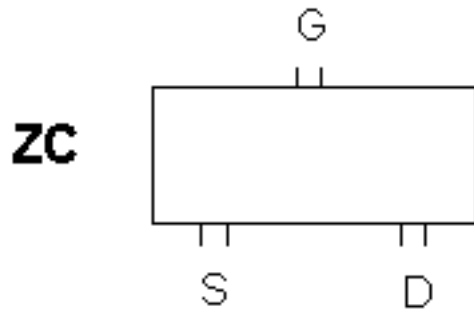
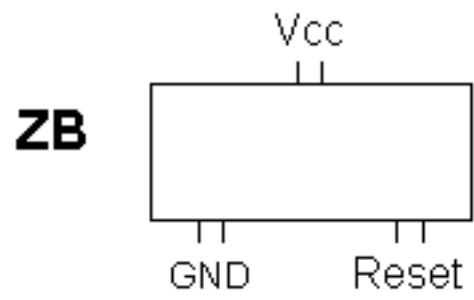
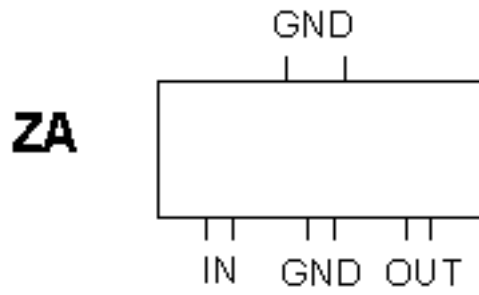


XQ

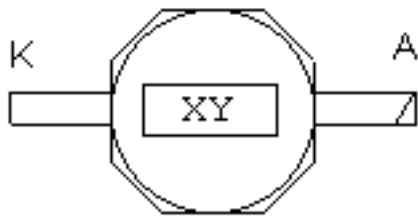


ZQ

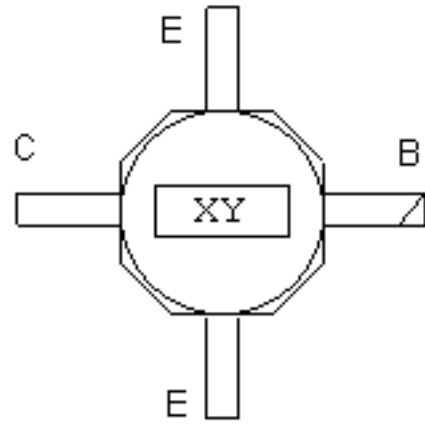




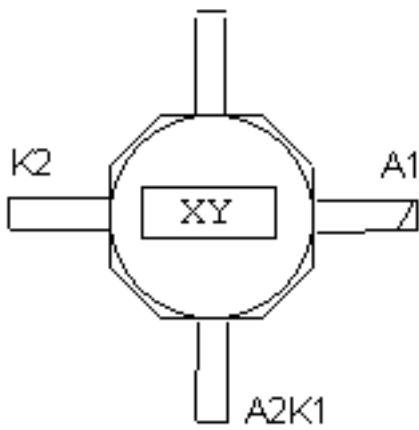
CS



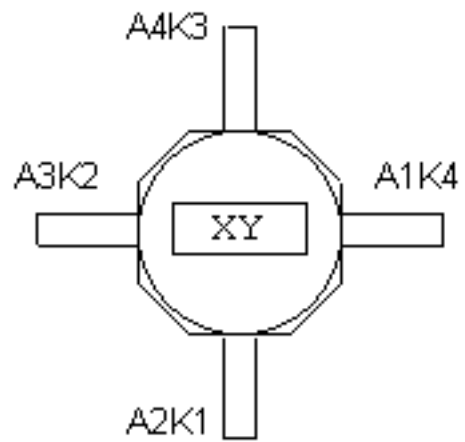
CX

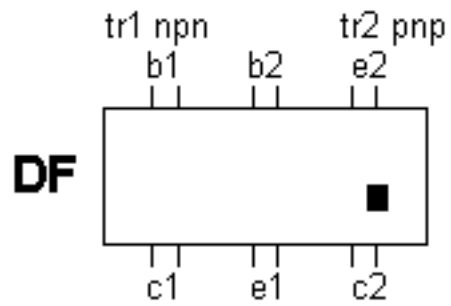
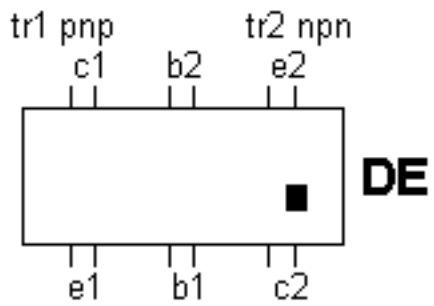
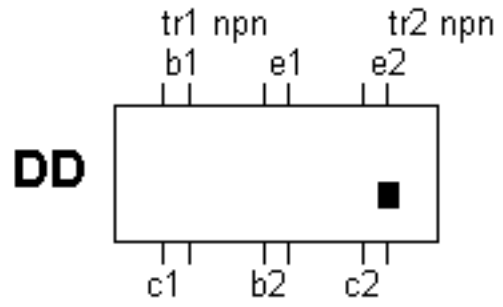
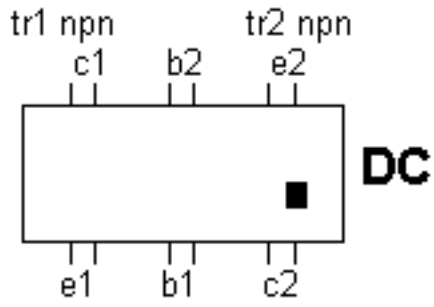
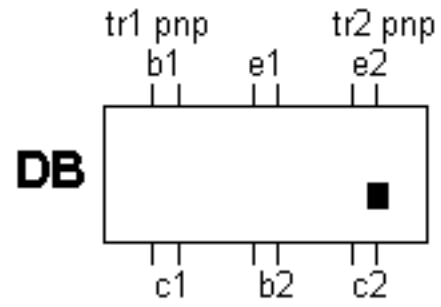
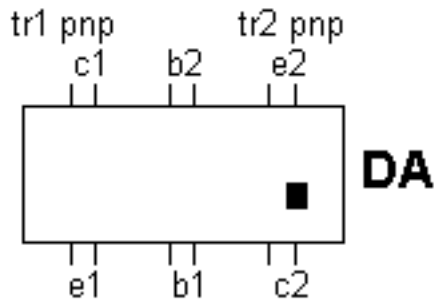


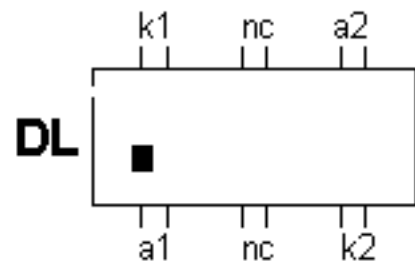
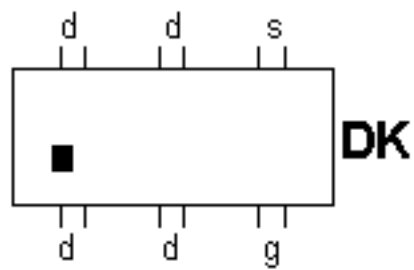
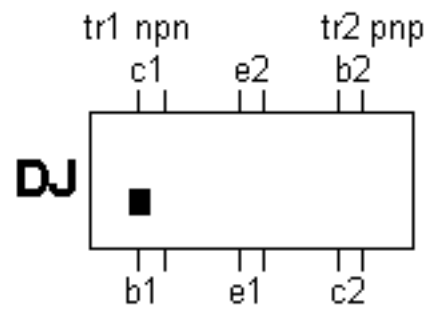
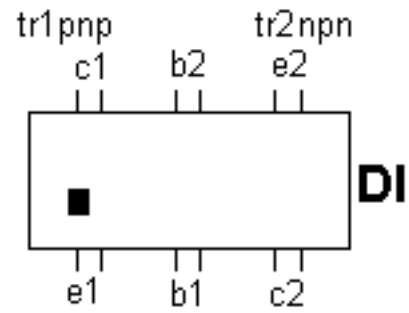
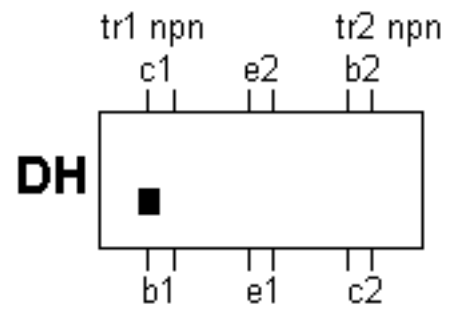
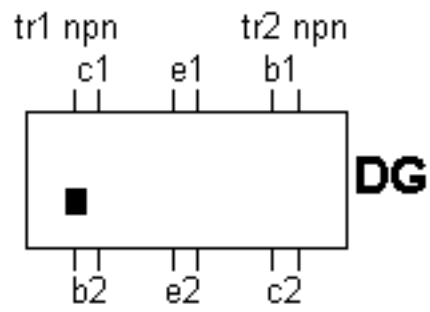
CY

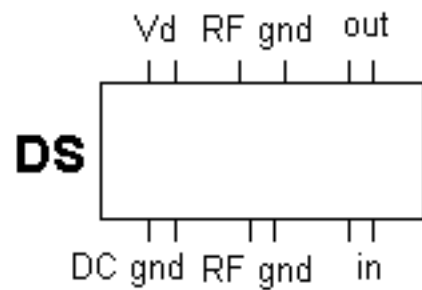
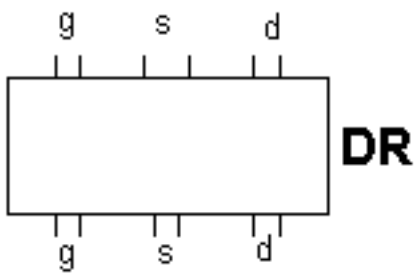
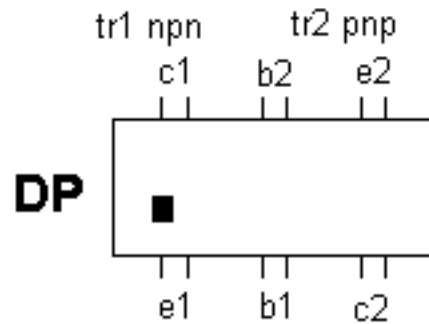
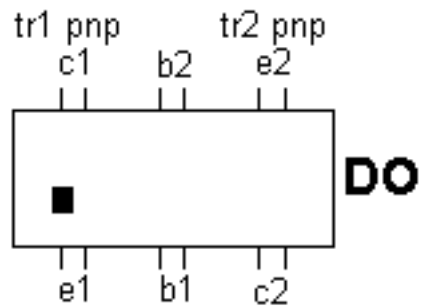
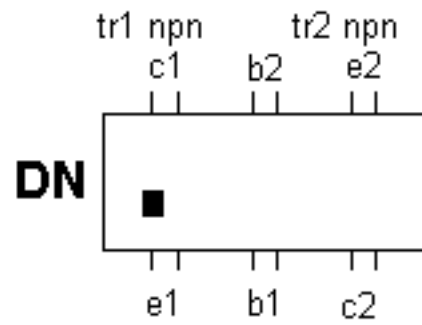
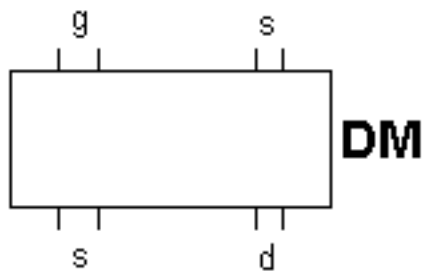


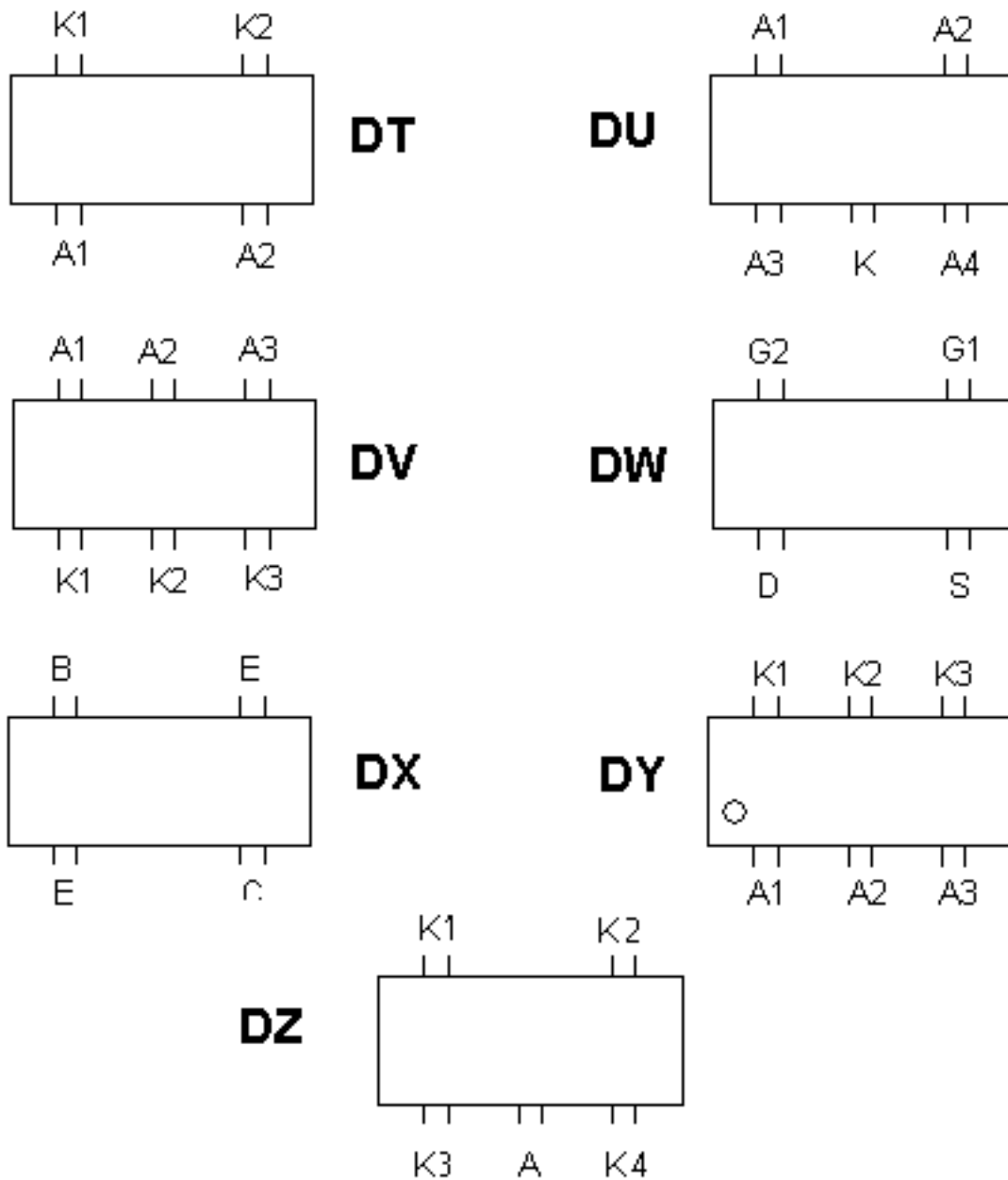
CZ











The Surface Mount Device Code Book

© R P Blackwell GM4PMK

A marsport publication!

Introduction

SMD devices are, by their very nature, too small to carry conventional semiconductor type numbers. Instead, a somewhat arbitrary coding system has grown up, where the device package carries a simple two- or three-character ID code. Identifying the manufacturers' type number of an SMD device from the package code can be a difficult task, involving combing through many different databooks. This HTML book is designed to provide an easy means of device identification. It lists over 3,500 device codes in alphabetical order, together with type numbers, device characteristics or equivalents and pinout information. Sometimes I'm asked to put IC information in the codebook. There is *some* information about ICs - but first and foremost the codebook is intended for discrete devices. Some ICs have been included, usually these are 3/4 pin devices or RF circuits I'm interested in.

Imitations

The home of GM4PMK's SMD codebook is here - and it's only here you'll get the most up-to-date information as it's updated often..... There are a number of other copies of this codebook on the Net, of varying ages. Some are translations with my permission, some are just straight rip-offs. None of them will be as up to date as the original.

How to use the SMD Codebook

To identify a particular SMD device, first identify the package style and note the ID code printed on the device. Now look up the code in the alphanumeric listing which forms the main part of this book by clicking on the first character shown in the left-hand frame. A scrollable page of data will appear in the main frame. Unfortunately, each device code is not necessarily unique. For example a device coded **1A** might be either a BC846A or a FMMT3904. Even the same manufacturer may use the same code for different devices! If there is more than

one entry, use the package style to differentiate between devices with the same ID code. Identifying the package is not always easy - measuring the package dimensions may help; and the codebook has some information about these.

This compilation has been collected from manufacturers' data and other sources of SMD device ID codes, pinout and leaded device equivalent information. The entries under the Manufacturer column are not intended to be comprehensive; rather they are intended to provide help on locating sources of more detailed information if you require it.

Bases/Connections

When you have looked up a device, the Base letter will guide you to a pin-out diagram. Note that some bases have marks to show the correct orientations, on others, one or more 'pins' may be a different size or shape. Some packages have nothing at all - in that case the device is shown such that the ID code is the right way up.

ID Code Variations

Many manufacturers use an extra letter as their own identification code. If the device is from Philips it will sometimes have a lower case 'p' (or sometimes 't') added to the code; Siemens devices usually have a lower case 's'. For example, if the code is **1A**, according to the table there are a number of possibilities:

1A BC846A Phi ITT N BC546A

1A FMMT3904 Zet N 2N3904

1A MMBT3904 Mot N 2N3904

1A IRLML2402 IR F n-ch mosfet 20V 0.9A

Note that p6A (for example) is different from 6Ap. The position of the 'p' is important! In this case, p6A is a jfet, and 6Ap a bipolar transistor.

You'll find both of these in the '6' page though - in other words these lower case prefixes or suffixes are ignored for indexing purposes, but critical to identifying the device.

This has been a problem in the past, however recently manufacturers have been adding lower case letters which clarify the code.

Many recent Motorola devices have a small superscript letter after the device code, such as **SA^C**. This smaller letter is merely a month of manufacture code.

Many devices from Rohm Semiconductors which start with **G** have direct equivalents found in the rest of the number. For example **GD1** is the same as **D1** which is a BCW31.

Some devices have a single coloured letter (usually on extremely small diode packages). Colour, if significant, is shown in small type after the code letter.

A major re-write of the codebook is under way. A new column is being added to each table, giving the package. Obviously this will take quite some time to complete!!

An '**L**' suffix usually indicates a low-profile package, such as an SOT323 or SC70.

Reverse joggle devices do present a few problems. They often have an '**R**' in the type number. A reverse package is one where the lead have been bent up instead of down. So it's a mirror image of a conventional device. Identification is usually possible from the code number, but some manufacturers use the same code. In these cases, it's a case of looking at the device with a magnifying glass. The leads of most normal packages come out closer to the circuit board side of the device; conversely a reverse joggle package will have them coming out closer to the 'top' of the device.

Sometimes a series of devices, derived from the same die, have related type (not code) numbers. Often an '**R**' will indicate a reverse joggle package, and/or a '**W**' indicate a smaller package variant, such as SOT343. Sometimes similarities are also found in the code numbers. For example '**67**' is the code for a BFP67 (SOT143 package) , and '**67R**' is the code for the reverse joggle variant BFP67R (SOT143R), while '**W67**' is the code for a SOT343 package version.

Recently some manufacturers have used a symbol or lower case letter to indicate the country of manufacture. These have been ignored in the alphabetical ordering. For example '**Z-S**' and '**ZtS**' are both 2PC4081Q devices

made by Philips; the first made in Hong Kong and the second in Malaysia; this appears in the codebook classified under ZS.

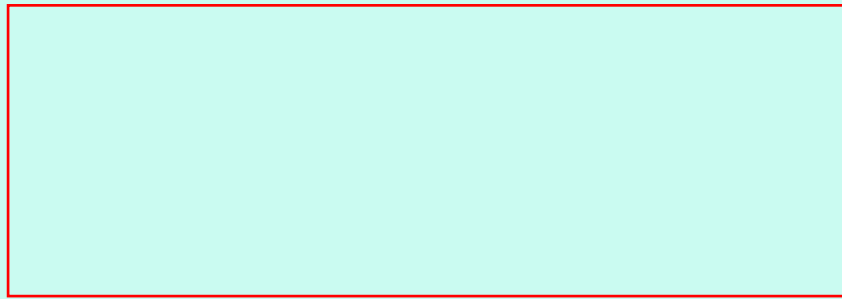
Leaded equivalent device and information

Where possible, the listing gives the part number of a conventional wire-leaded device with equivalent characteristics. If the leaded device is well-known then no more information is given. If the device is less common, some additional information will sometimes be given. Where no exact leaded equivalent exists, a brief device description is given, which may be sufficient to allow substitution with another device.

When describing device characteristics, some terms are implied from the type of device. For example, a voltage specified for a rectifier diode is usually the maximum PIV (peak inverse voltage) of the diode, but for a zener diode the operating (zener voltage) will be given. Normally, where a voltage, current or power is specified, these will be limiting values. For example, a device specified as NPN 20V 0.1A 1W is a NPN transistor with a V_{ce} (max) of 20V, maximum collector current of 100mA and a maximum total power dissipation of 1W. Some of the transistors are types with integrated resistors; in the list, a base resistor means a resistor connected in series with the base. When two resistor values are given, the first is the series base resistor, and the second the resistor between base and emitter.

Digital Transistors (dtr)

These are transistors with built-in resistors, also called 'prebiased transistors'. The Codebook uses 'dtr' as it's shorter... Some have one resistor between base and emitter, others in series with the base lead. Many others have both. To keep things simple, the series resistor is called R1 and the base emitter resistor is called R2. If both are present, then two values are given, R1 first. So 4k7 + 10k means that R1 (the base resistor) is 4k7 and R2 (the resistor between base and emitter) is 10k.



Endpiece

Appendices showing device pinouts, some package dimensions, abbreviations, diode colour codes, resistor and capacitor codes are also available from the main SMD Codebook Screen.

Finally, thanks to all for the kind comments and data - it's nice to know the codebook is useful.

Anyone out there who wants to donate up-to-date data books, they would be a most welcome aid to updating the codebook. My postal mail address is [here](#).

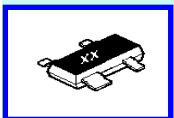
If you have any extra information to add to what's here, I'd be very grateful. You can email to me [here](#).

I'm not able to offer any additional information apart from what is on the pages, so please DON'T ASK.

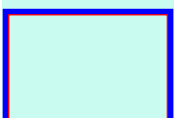
Emails requesting 'can you help me with SMD code XX' will be ignored.

No liability is accepted by the author for errors or omissions.

The SMD Codebook is © R P Blackwell.



[Enter the SMD Codebook](#)



[Hyper\(space\)link back to Marsport](#)

updated 01/06/2006 by GM4PMK

Abbreviations

Device data abbreviations

amp	amplifier
atten	attenuator
a	anode
b	base
bi, bid	bidirectional
c	cathode
ca	common anode
cc	common cathode
comp	complement
d	drain
dg	dual gate
dtr	digital transistor (see codebook introduction)
enh	enhancement (mode - FETs)
fet	field effect transistor
fT	transition frequency
GaAsfet	Gallium Arsenide field effect transistor
g	gate
gnd	ground
gp	general purpose
hfe	small signal current gain
i/p	input
Id	drain current
Ig	gate current
Ir	reverse leakage current (diodes)
jfet	junction field effect transistor
MAG	maximum available gain
max	maximum
min	minimum
mmic	microwave miniature integrated circuit
modamp	modular amplifier - an mmic amplifier
mosfet	metal oxide insulated gate fet
n-ch	n-channel fet (any type)
npn	nnp bipolar transistor
o/p	output
p-ch	p-channel fet (any type)
pin	pin diode
pkg	package

pnp	pnp bipolar transistor
prot	protection, protected (as in mosfet gate)
res	resistor
s	source
ser	series
Si	silicon
substr	substrate
sw	switch or switching
tv	transient voltage supressor
uni	unidirectional
Vce	collector - emitter voltage (maximum)
Vcc	collector supply voltage
Manufacturer abbreviations	
Agi	Agilent (was HP)
CSC	Central Semiconductor Corp
Dio	Diodes Inc
Fch	Fairchild
HP	Hewlett-Packard (Now Agilent)
Inf	Infineon (was Siemens)
ITT	ITT Semiconductors
MC	Mini-Circuits
Mot	Motorola (now ON Semiconductors)
Nat	National Semiconductor
Nec	NEC
NJRC	New Japan Radio Co
ON	ON Semiconductors (was Motorola)
Phi	Philips
Roh	Rohm
SGS	SGS-Thompson
Sie	Siemens (now Infineon)
Sil	Siliconix (Vishay-Siliconix)
Tem	Temic Semiconductors
Tfk	Telefunken (Vishay-Telefunken)
Tok	Toko Inc.
Tosh	Toshiba
Vis	Vishay Semiconductor (was Gen Semi, Tfk, Sil etc)
Zet	Zetex

Last Updated on 01/06/2006

By GM4PMK

HP diode coding

HP diodes appear to follow a regular coding scheme. Although this is not always followed, it may help in identifying diodes and package styles if used with caution. Not all HP diodes follow this scheme, so beware!

The general type number scheme is: **HSMX-123#**

HSM stands for HP Surface Mount, I suppose!

X is either **S** for a schottky diode or **P** for a PIN diode.

is a letter for a SOT323 package and a number for a SOT23 device.

It denotes the internal arrangement - single, common anode pair, quad, etc. The digit of the code marked on the package itself usually corresponds to the package style (**#**) number.

The numbers and letters correspond to the following arrangements:

Device style	# SOT-23	# SOT-323	Printed on package	Codebook base
Single diode - standard	0	B	0	C
Single diode – reverse	1	A	1	K
Dual series - standard	2	C	2	D
Dual series – reverse	2	C	2	Z
Common anode pair	3		3	A
Common cathode pair	4		4	B
Unconnected pair	5		5	S
Ring Quad	7		7	RQ
Bridge Quad	8		8	BQ
Dual Anode			A	Y
Dual Cathode			B	J

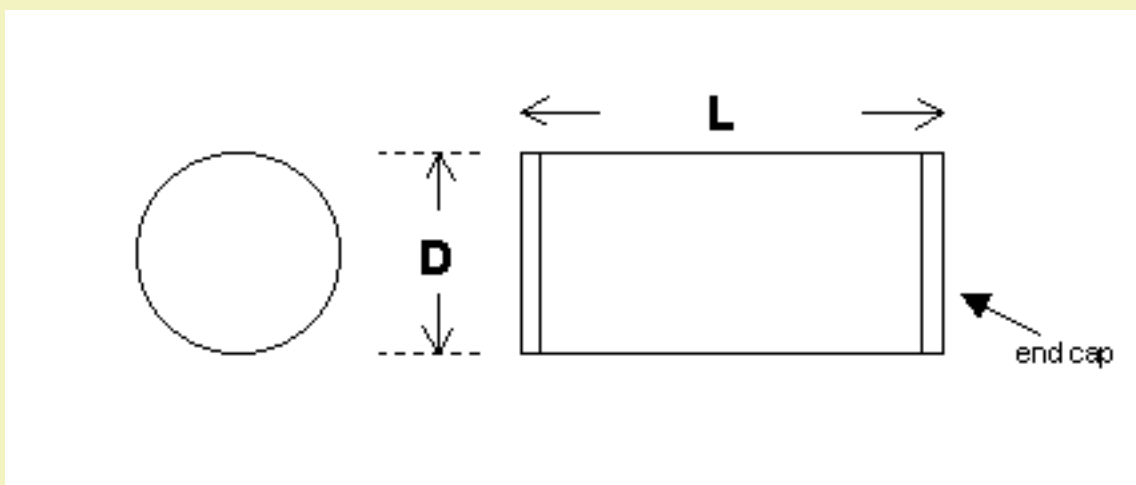
Last Updated on 01/06/06

By GM4PMK

MELF/mini-MELF/LL-34 Package Diodes

The SOD-80 package, also known as mini-MELF, is a small (glass, sometimes plastic) cylinder with metal ends.

MELF package L=4.9mm D=2.5mm
mini-MELF (SOD80C) L=3.5mm D=1.6mm
LL-34 L=3.4mm D= 1.4mm



Code marked devices

Marked 2Y4 to 75Y (E24 series) BZV49 series 1W zener diodes (2.4 - 75V)

Marked C2V4 TO C75 (E24 series) BZV55 series 500mW zener diodes (2.4 - 75V)

The cathode end is indicated by a coloured band.

Coloured band marked devices (MELF/SOD-80)

CATHODE BAND (S)	Device

Black	BAS32, BAS45, BAV105 LL4148, 50, 51,53, LL4448 BB241, BB249
Black Brown	LL4148, LL914
Black Orange	LL4150, BB219
Brown Green	LL300
Brown Black	LL4448
Red	BA682
Red Orange	BA683
Red Green	BA423L
Red White	LL600
Orange Yellow	LL3595
Yellow	BZV55, BZV80, BZV81 series zeners
Green	BAV105, BB240
Green Black	BAV100
Green Brown	BAV101
Green Red	BAV102
Green Orange	BAV103
Grey	BAS81, 82, 83, 85, 86
White	BB219
White Green	BB215

Some manufacturers have a generic type coding scheme for MELF and mini-MELF diodes.

That for Vishay/General Semiconductor is shown below:

CATHODE BAND	Mini MELF Device Type
Black	General purpose
Yellow	Switching

Green	Schottky
Blue	Zener

CATHODE BAND	MELF Device Type
Black	Zener
Green	Schottky

Rohm LL-34 package Zener Diodes RLZ Series

Three band colour code Third band is always Green

Type	1st Band	2nd Band	3rd Band	Type	1st Band	2nd Band	3rd Band
RLZ3.6B	Black	Purple	Green	RLZ12B	Red	Black	Green
RLZ3.9B	Black	Gray	Green	RLZ13B	Red	Brown	Green
RLZ4.3B	Brown	White	Green	RLZ15B	Red	Red	Green
RLZ4.7B	Brown	Black	Green	RLZ16B	Red	Orange	Green
RLZ5.1B	Brown	Brown	Green	RLZ18B	Red	Yellow	Green
RLZ5.6B	Brown	Red	Green	RLZ20B	Red	Green	Green
RLZ6.2B	Brown	Orange	Green	RLZ22B	Red	Blue	Green
RLZ6.8B	Brown	Yellow	Green	RLZ24B	Red	Purple	Green
RLZ7.5B	Brown	Green	Green	RLZ27B	Red	Gray	Green
RLZ8.2B	Brown	Blue	Green	RLZ30B	Red	White	Green
RLZ9.1B	Black	Purple	Green	RLZ33B	Orange	Black	Green
RLZ10B	Black	Gray	Green	RLZ36B	Orange	Brown	Green
RLZ11B	Black	White	Green	RLZ39B	Orange	Red	Green

Plastic MELF Package Diodes

Vishay/General Semiconductor plastic MELF and mini-MELF packages may have colour coding as shown in the following tables

A * (asterisk) indicates device is mini-MELF:

1st band **Red**

2nd Band	Devices
Red	BYM11-100, RGL41A, RGL43B*
Orange	BYM11-200, RGL41D, RGL43D
Yellow	BYM11-400, RGL41G, RGL43G
Green	BYM11-600, RGL41J, RGL43J
Blue	BYM11-800, RGL41K
Violet	BYM11-1000, RGL41M
Gray	BYM11-50, RGL41A, RGL43A

1st Band **Orange**

2nd Band	Devices
Red	BYM13-30, SGL41-30
Orange	BYM13-40, SGL41-40

Yellow	BYM13-50, SGL41-50
Green	BYM13-60, SGL41-60
Gray	BYM13-20, SGL41-20

1st Band **Green**

2nd Band	Devices
Brown	BYM12-300, EGL41F, BYM07-300*, EGL34F*
Red	BYM12-100, EGL41B, BYM07-100*, EGL34B*
Orange	BYM12-200, EGL41D, BYM07-200*, EGL34D*
Yellow	BYM12-400, EGL41G, BYM07-400*, EGL34G*
Gray	BYM12-50, EGL41A, BYM07-50*, EGL34A*
Pink	BYM12-150, EGL41C, BYM07-150*, EGL34C*

1st Band **White**

2nd Band	Devices
Brown	GL41Y
Red	BYM10-100, GL41B, GL34B*
Orange	BYM10-200, GL41D, GL34D*
Yellow	BYM10-400, GL41G, GL34G*
Green	BYM10-600, GL41J, GL34J*
Blue	BYM10-800, GL41K
Violet	BYM10-1000, GL41M

Gray	BYM10-50, GL41A, GL34A*
White	GL41T

SOD-123 Package Diodes

Colour-coded SOD-123 and SOD-323 diodes. Devices marked with letter/number codes will be found in the main list.

CATHODE BAND	Devices
Red	BA620, BB620, BB729, BB713S, BV430-2
Yellow	BA619, BB619, BB701S, BB729S
Green	BA585, BB731
Purple	BB730
Blue	BA582, BA583, BA584, BB731, BA782-3
White	BA512, BA515, BB515, BA811, BB721, BB721S

Note! Devices with a coloured band may also have an alphanumeric code - which may well be only a date code.

SMD Electrolytic Capacitor Coding

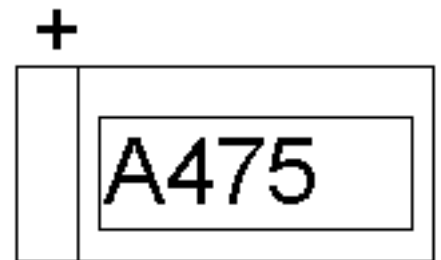
SMD electrolytic capacitors are often marked with their capacitance and working voltage, e. g. **10 6V** is 10 μF 6V . Sometimes a code is used instead, which normally consists of a letter and 3 digits. The letter indicates the working voltage and the 3 digits (2 digits and multiplier) give the capacitance in pF.

Letter	Voltage
e	2.5
G	4
J	6.3
A	10
C	16
D	20
E	25
V	35
H	50

The band or stripe indicates the positive terminal.

For example, a capacitor marked **A475** is a 4.7m F 10V unit.

$$475 = 47 \times 10^5 \text{ pF} = 4.7 \times 10^6 \text{ pF} = 4.7\text{m F}$$



SMD Ceramic Capacitor Coding

SMD ceramic capacitors are sometimes marked with a code, consisting of one or two letters and a digit. The first letter if present is a manufacturer code (i.e K for Kemet, etc.), the second letter the mantissa and the digit the exponent (multiplier) of the capacitance in pF. For example **S3** is a 4.7nF (4.7×10^3 pf) capacitor from an unknown manufacturer, while **KA2** is a 100 pF (1.0×10^2 pF) capacitor from Kemet. *Thanks to K7ITM for providing this information!*

Letter	Mantissa	Letter	Mantissa	Letter	Mantissa	Letter	Mantissa
A	1.0	J	2.2	S	4.7	a	2.5
B	1.1	K	2.4	T	5.1	b	3.5
C	1.2	L	2.7	U	5.6	d	4.0
D	1.3	M	3.0	V	6.2	e	4.5
E	1.5	N	3.3	W	6.8	f	5.0
F	1.6	P	3.6	X	7.5	m	6.0
G	1.8	Q	3.9	Y	8.2	n	7.0
H	2.0	R	4.3	Z	9.1	t	8.0
						y	9.0

SMD Resistor Coding

SMD Resistors are usually coded with a numerical equivalent of the familiar three band colour code. In the same way as wire ended components, precision resistors (1% or better) may be marked with a four digit code. The first two (or 3) digits are the first two (or 3) digits of the resistance in ohms, and the third(or 4th) is the number of zeros to follow - the 'multiplier'.

Resistances of less than 10 ohms have a 'R' to indicate the position of the decimal point.

Some examples will make this clearer:

Three Digit Examples	Four Digit Examples
330 is 33 ohms - <i>not 330 ohms</i>	1000 is 100 ohms - <i>not 1000 ohms</i>
221 is 220 ohms	4992 is 49 900 ohms, or 49.9 kohm
683 is 68 000 ohms, or 68 kohm	16234 is 162 000 ohms, or 162 kohm
105 is 1 000 000 ohms, or 1 Mohm	0R56 or R56 is 0.56 ohms
8R2 is 8.2 ohms	

But just to make life more interesting, a new coding system has appeared on **1% types**. This is known as the EIA-96 marking method. It consists of a three-character code. The first two digits signify the 3 significant digits of the resistor value, using the lookup table below. The third character - a letter - signifies the multiplier.

code	value	code	value	code	value	code	value	code	value	code	value
01	100	17	147	33	215	49	316	65	464	81	681
02	102	18	150	34	221	50	324	66	475	82	698
03	105	19	154	35	226	51	332	67	487	83	715
04	107	20	158	36	232	52	340	68	499	84	732
05	110	21	162	37	237	53	348	69	511	85	750
06	113	22	165	38	243	54	357	70	523	86	768
07	115	23	169	39	249	55	365	71	536	87	787
08	118	24	174	40	255	56	374	72	549	88	806
09	121	25	178	41	261	57	383	73	562	89	825
10	124	26	182	42	267	58	392	74	576	90	845
11	127	27	187	43	274	59	402	75	590	91	866
12	130	28	191	44	280	60	412	76	604	92	887
13	133	29	196	45	287	61	422	77	619	93	909
14	137	30	200	46	294	62	432	78	634	94	931

15	140	31	205	47	301	63	442	79	649	95	953
16	143	32	210	48	309	64	453	80	665	96	976

The **multiplier** letters are as follows:

letter	mult	letter	mult
F	100000	B	10
E	10000	A	1
D	1000	X or S	0.1
C	100	Y or R	0.01

22A is a 165 ohm resistor, **68C** is a 49900 ohm (49.9 k) and **43E** a 2740000 (2.74 M). This marking scheme applies to 1% resistors only.

A similar scheme can be used for **2, 5 and 10%** tolerance types. The multiplier letters are identical to the 1% ones, but occur **before** the number code. Just to make it even more fun, a **different** coding scheme is used. Here it is:

2%				5%				10%	
code	value	code	value	code	value	code	value	code	value
01	100	13	330	25	100	37	330	49	100
02	110	14	360	26	110	38	360	50	120
03	120	15	390	27	120	39	390	51	150
04	130	16	430	28	130	40	430	52	180
05	150	17	470	29	150	41	470	53	220
06	160	18	510	30	160	42	510	54	270
07	180	19	560	31	180	43	560	55	330
08	200	20	620	32	200	44	620	56	390
09	220	21	680	33	220	45	680	57	470
10	240	22	750	34	240	46	750	58	560
11	270	23	820	35	270	47	820	59	680
12	300	24	910	36	300	48	910	60	820

So with this scheme, **A55** is a 330 ohm, 10% tolerance resistor, **C31** a 5%, 18000 ohm (18 kilohm) unit, and **D18** 510000 ohms (510 kohm) 2% tolerance.

Personally, I'd check with an ohm-meter!

*last updated 10/07/06
by GM4PMK*

PACKAGE EQUIVALENTS

Here is a table of more-or-less equivalents for many SMD packages.

Package	Equivalents
SOT89	SC62
SOT223	SC73
SOT323	SC70,UMT3
SOT346	SC59,SMT3
SOT363	SC88
SOT416	SC75, SC90, EMT3
SOT457	SC74
SOD323	SC76
SOD523	SC79

Date Coding

There are a variety of date coding schemes in use. Here are some of them. Often, it's possible to confuse which is the device code and which is the date code. Date codes are often in a different font, of a different size, or placed in a different orientation. Sometimes they are incorporated into the code number - where possible this will be indicated on the code entry by 'xx' and a note in the data entry. Some devices are only marked with the month of production.

Method 1

2 characters from tables below in form YM for year, month

Year	2002	2003	2004	2005	2006	2007	2008
Code	N	P	R	S	T	U	V

Month	Jan	Feb	Mar	Apr	May	Jun	Jul	Aug	Sep	Oct	Nov	Dec
Code	1	2	3	4	5	6	7	8	9	O	N	D

Another alternative year table..... likely to apply to General Semiconductor products up to 2000

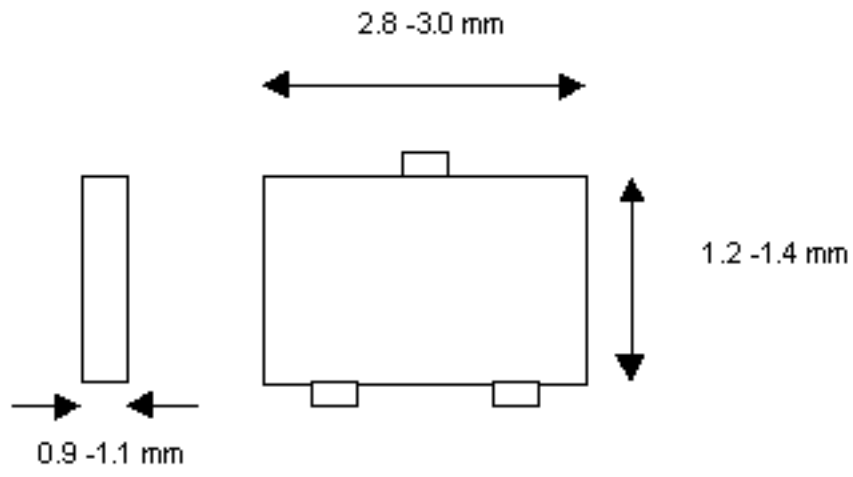
Year	1994	1995	1996	1997	1998	1999	2000
Code	E	F	H	J	K	L	M

Method 2

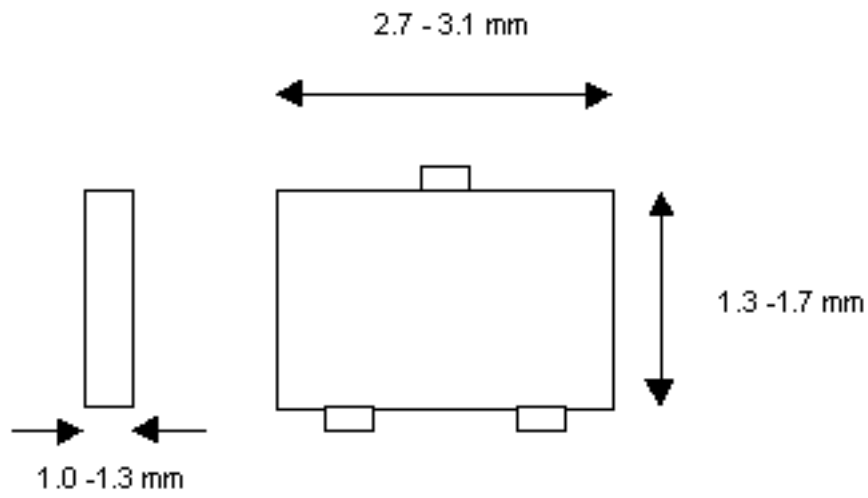
2 characters from tables below in form YM for year, month

Year	1997	1998	1999	2000	2001	2002	2003	2004	2005
Code	7	8	9	0	1	2	3	4	5

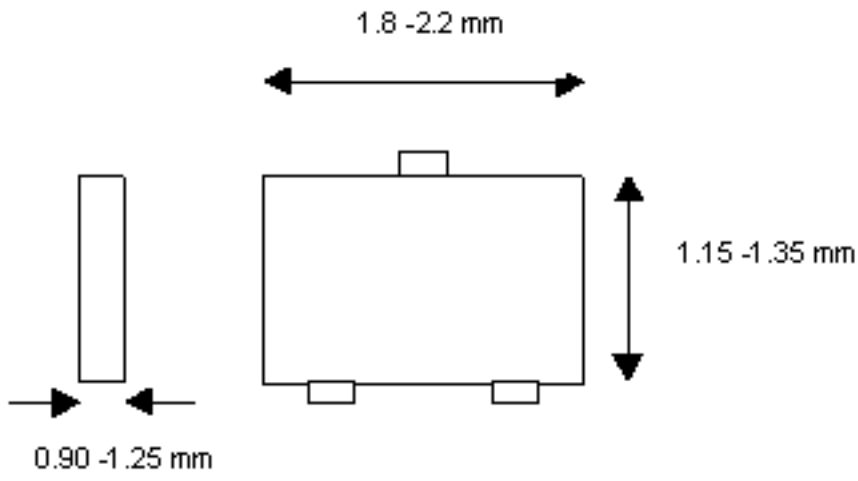
Month	Jan	Feb	Mar	Apr	May	Jun	Jul	Aug	Sep	Oct	Nov	Dec
Code	1	2	3	4	5	6	7	8	9	A	B	C



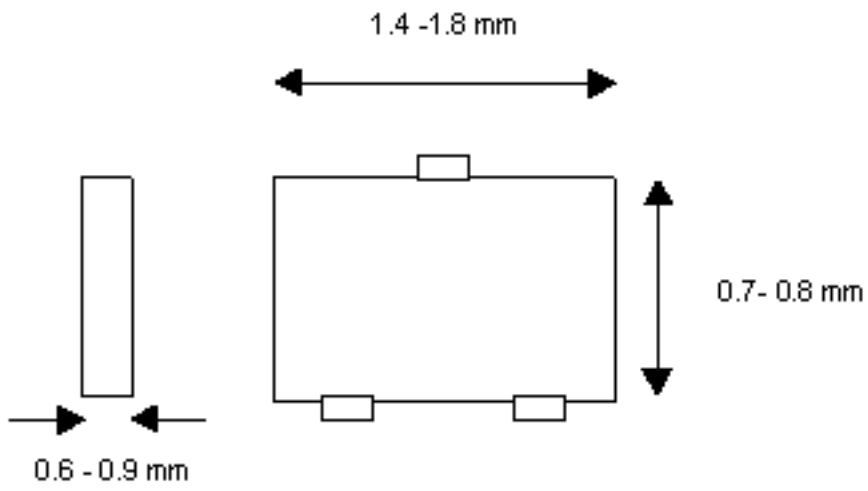
SOT- 23



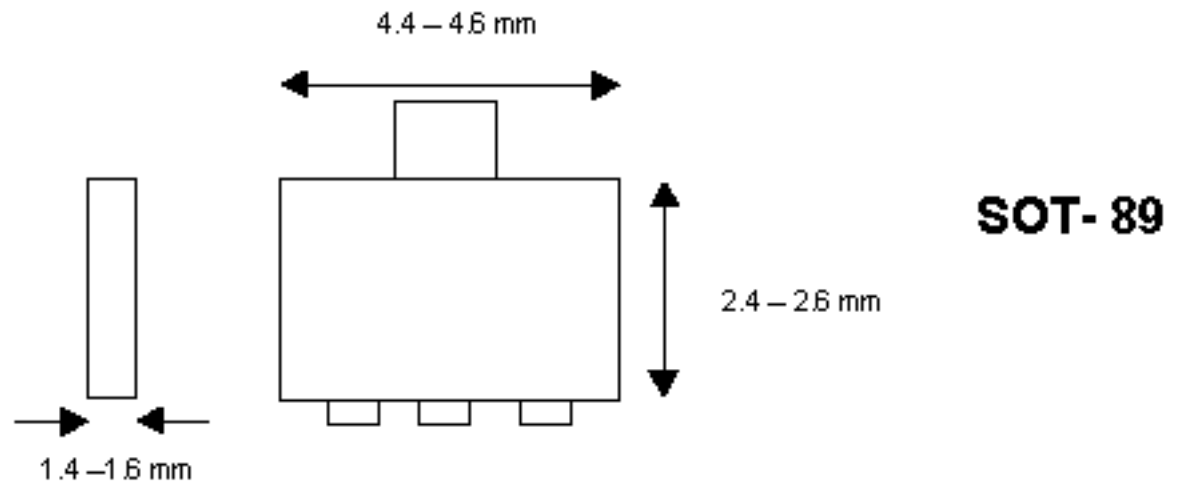
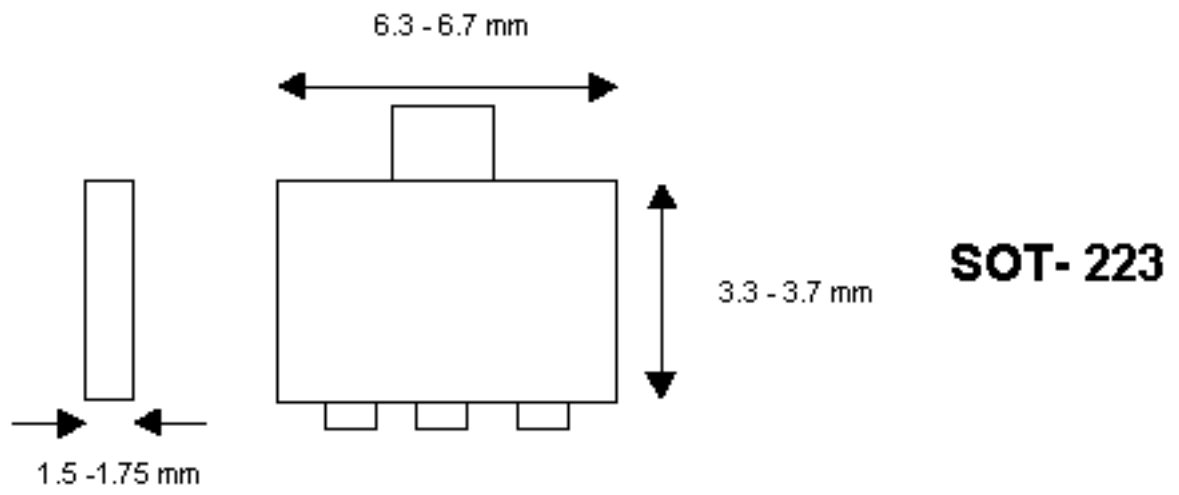
SC- 59

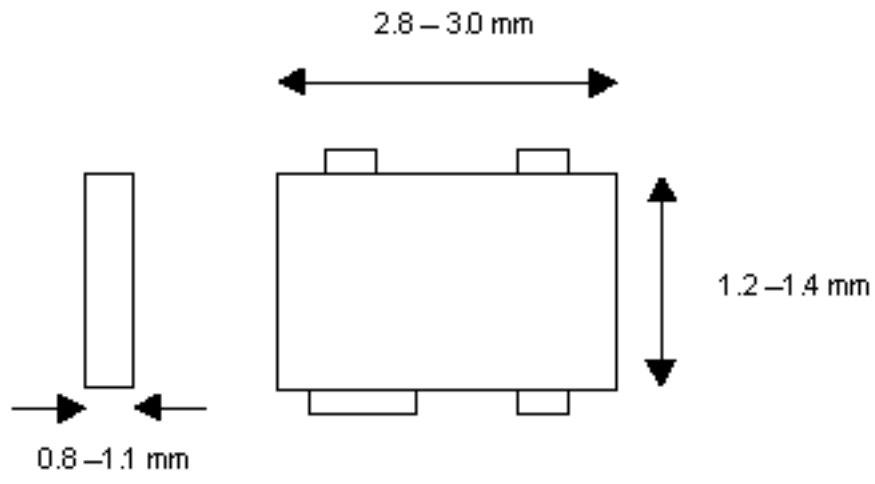


SOT- 323/SC-70

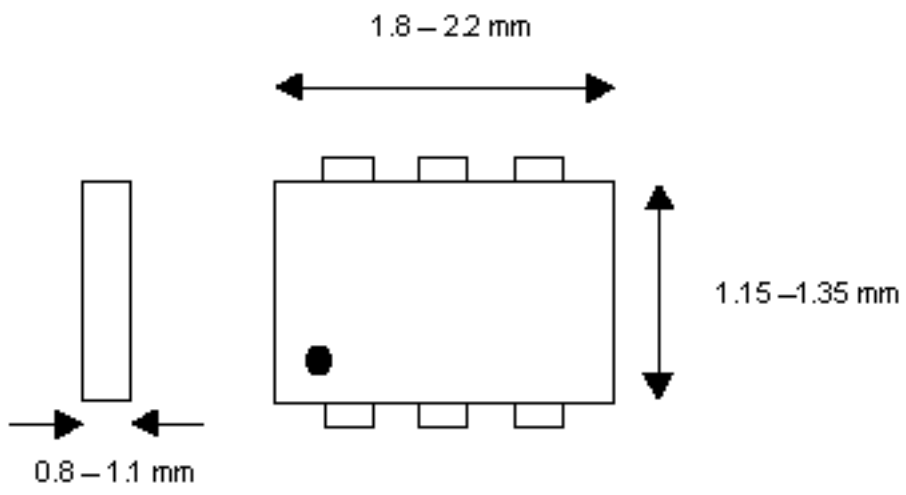


SOT- 416/SC- 90





SOT-143



SOT-363

DIODE PACKAGES

Dimensions of 2-lead diode packages, as length x width x thickness
or length x diameter (mm)

Package	Size	Manufacturer
EMD2	1.2 x 0.8 x 0.6	Rohm
PMDT	3.8 x 2.4 x 0.95	Rohm
PMDS	4.5 x 2.6 x 2.0	Rohm
PMDU	2.6 x 1.6 x 0.8	Rohm
TUMD2	1.9 x 1.3 x 0.6	Rohm
UMD2	1.7 x 1.25 x 0.7	Rohm
VMD2	1.0 x 0.6 x 0.5	Rohm
VMN2	0.9 x 0.6 x 0.4	Rohm
LLDS	3.4 x 1.5Ø	Rohm
MELF	4.9 x 2.5Ø	
SOD80	3.5 x 1.6Ø	
SOD110	2.1 x 1.4 x 1.6	
SOD323	2.7 x 1.8 x 1.2	
SOD523	1.1 x 0.7 x 0.8	
SOD882	1.0 x 0.6 x 0.5	
LL34	3.4x 1.5Ø	JEDEC