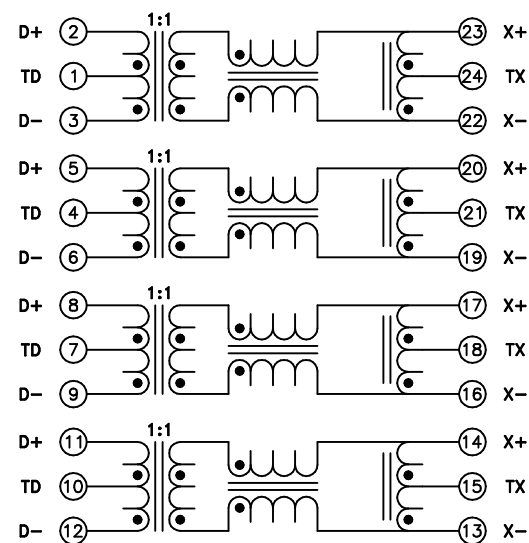
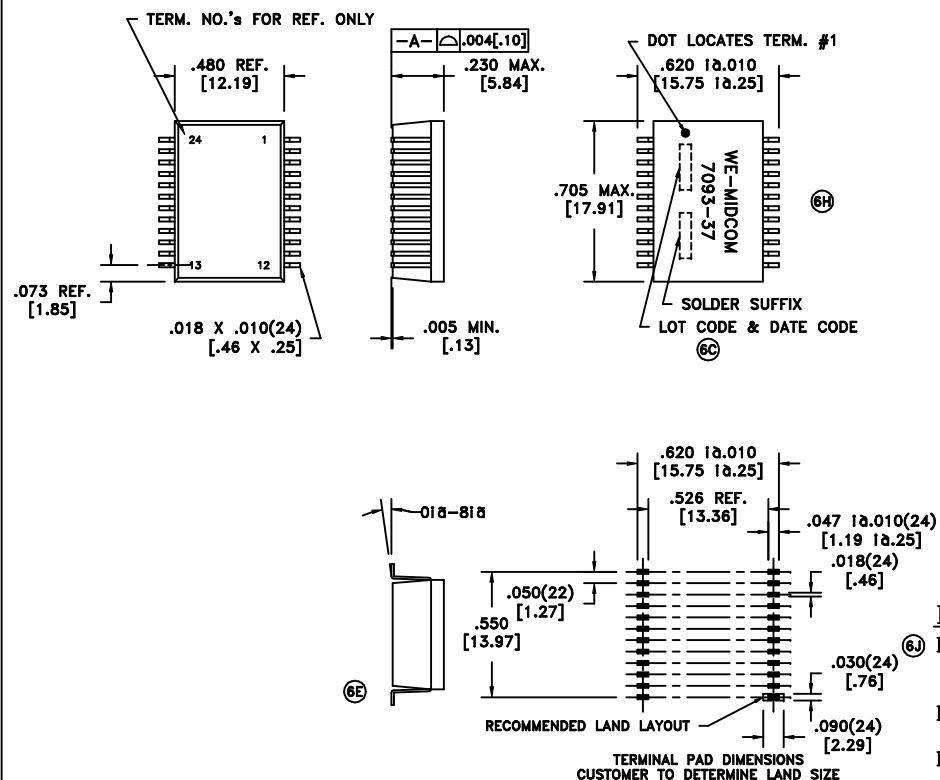


| | | | | |
|---------------|-------------------|------|---------------|----|
| SOLDER SUFFIX | CUSTOMER TERMINAL | RoHS | LEAD(Pb)-FREE | 6C |
| LF1 | Sn96%, Ag4% | Yes | No | |



ELECTRICAL SPECIFICATIONS @ 25°C unless otherwise noted:

- D.C. RESISTANCE (@20°C):** 2-3; 5-6; 8-9; 11-12, 1.0 Ohms max..
23-22; 20-19; 17-16; 14-13, 0.80 Ohms max..
- INDUCTANCE:** 350uH min., 100kHz, 100mV, 8mADC, 23-22; 20-19; 17-16; 14-13, Lp.
- DIELECTRIC RATING:** 1500Vrms, 1 minute tested by applying 1800Vrms for 1 second between 1-24(tie 1+4+7+10, 15+18+21+24).
- URNS RATIO & POLARITY:** (2-3):(23-22) = 1:1, ±2%.
(5-6):(20-19) = 1:1, ±2%.
(8-9):(17-16) = 1:1, ±2%.
(11-12):(14-13) = 1:1, ±2%.
- INSERTION LOSS:** -1.0dB max., 300k - 100MHz.
- RETURN LOSS:** -18dB min., 500k - 40MHz.
-15dB min., 40M - 60MHz.
-12dB min., 60M - 80MHz.
-10dB min., 80M - 100MHz.
- CROSSTALK:** -35dB min., 300k - 100MHz.
- CMRR:** -42dB min., 300k - 32MHz.
-33dB min., 32M - 100MHz.
- OPERATING TEMPERATURE RANGE:** -40°C to +85°C.
- COPLANARITY:** All 24 terminals must lie on a plane within .004 [.10] of Surface A after lead tinning.

| | | | |
|------|------|--------------------------|--|
| REV. | DATE | Packaging Specifications | |
| PR6K | 5/10 | Method: Tape & Reel | |
| 6J | 4/10 | PKG-0363 | |
| 6H | 9/07 | www.midcom-inc.com | |
| 6G | 1/07 | REVISIONS: SEE SHEET 1 | |

Tolerances unless otherwise specified:
Angles: ±1° Decimals: ±.005 [.13]
Fractions: ±1/64 Footprint: ±.005 [.13]
This drawing is dual dimensioned. Dimensions in brackets are in millimeters.

DRAWING TITLE
TRANSFORMER
PDFP-G24
eiSos p/n: 749020013

| | |
|---------------|------------------|
| PART NO. | 000-7093-37R-LF1 |
| SHEET 2 OF 10 | |